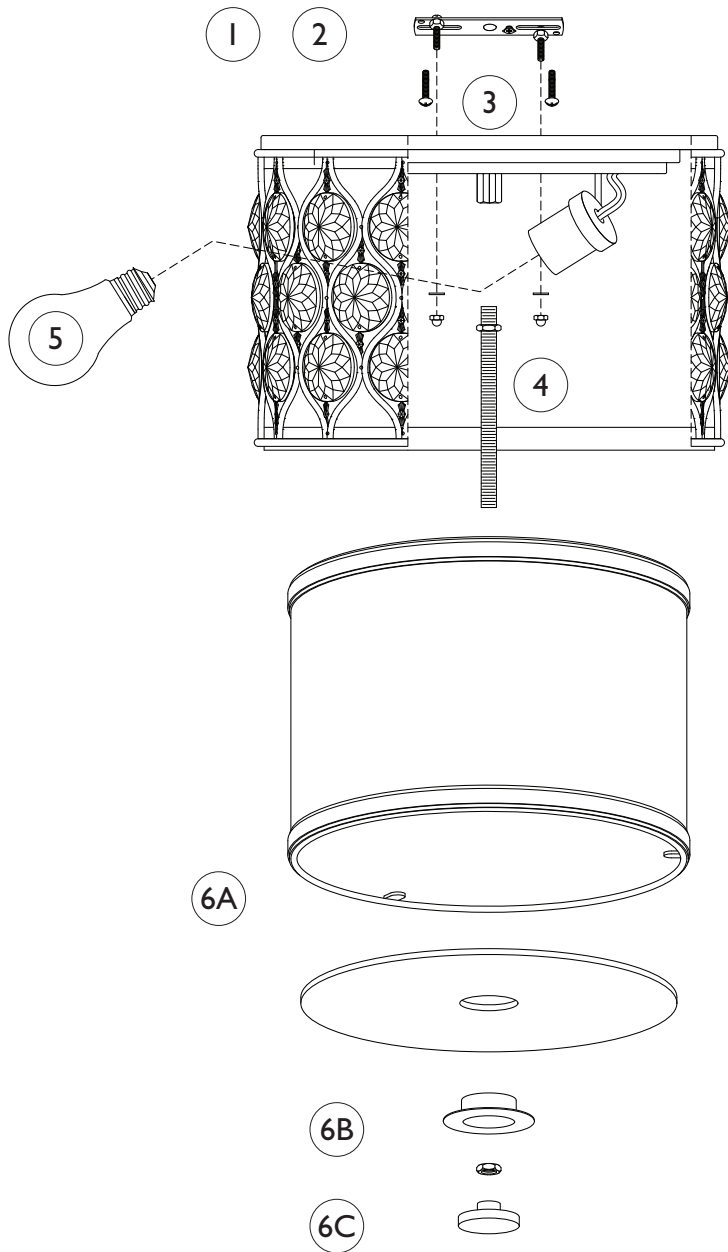


Assembly Instructions For

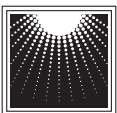
FM355 (E) 5/10



IMPORTANT TURN OFF THE POWER AT THE MAIN FUSE OR CIRCUIT BREAKER BOX BEFORE STARTING INSTALLATION

Carefully unpack and identify all parts before assembly.
Bulbs not included.

1. Install mounting plate:
 - A. Fasten two long machine screws (supplied) into opposite side of the mounting plate from green grounding screw head.
 - B. Take supply wires from outlet box and carefully pass them through center hole of mounting plate.
 - C. Install mounting plate onto the outlet box using two screws supplied with outlet box.
 - D. Test install fixture plate to make certain about 1/4" (5mm) of screws thread protrude outside of fixture plate. If not then remove fixture plate and adjust screws length accordingly. Secure screws length by fastening with two hex nuts. Make certain not to spin screws during fastening. Place fixture plate aside.
 - E. Spread electrical wires so that black wires are on one side of the outlet box and the white wires are on the other side.
2. Connect electrical wires:
 - A. Connect white fixture wire to white supply wire from outlet box with wire connector. Connect black fixture wire to black supply wire from outlet box with wire connector.
NOTE: Black outlet box wire may be red, round and smooth and/or have copper conductor. White outlet box wire may be square and ridged and/or have a silver conductor.
 - B. Connect fixture ground wire (without plastic insulation) to ground wire from outlet box (usually with green insulation) with wire connector.
Note: If there is no supply ground wire at outlet box then attach fixture ground wire securely onto green grounding screw located at mounting plate.
IMPORTANT: Never connect ground wire to black or white supply wires (from outlet box).
3. While carefully tucking all electrical wires inside the top of the fixture, install the fixture onto the mounting plate by fastening with two cap nuts.
4. Install center pipe by screwing into coupler. Note correct position of center pipe at illustration.
5. Install bulb (not included). See relamping label located at socket area for type and maximum allowed wattage.
6.
 - A. Slide shade and glass diffuser through the threaded pipe until shade comes to a stop.
 - B. Secure shade and glass diffuser into position by fastening with a spacer and a hex nut. **IMPORTANT: DO NOT OVER TIGHTEN.**
 - C. Secure by fastening finial.



**MURRAY
FEISS**

GENERATION
BRANDS™