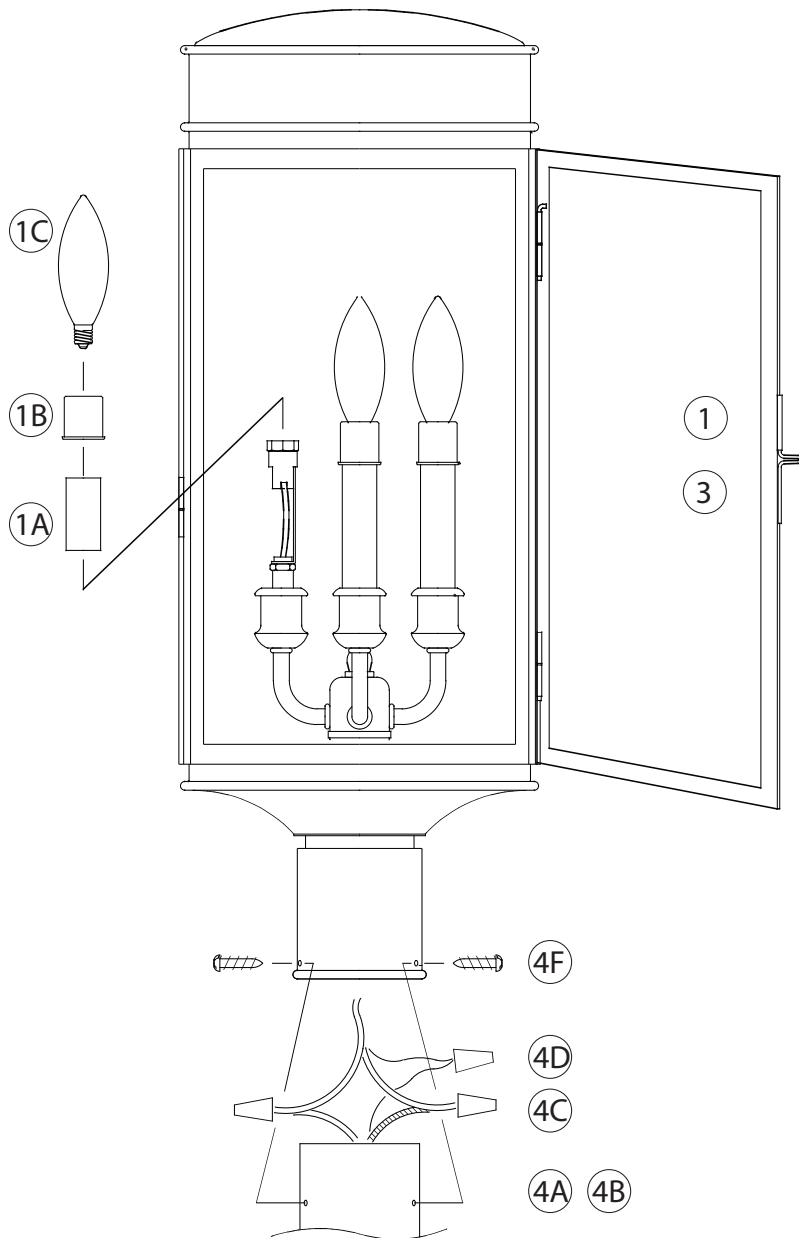


Assembly Instructions For

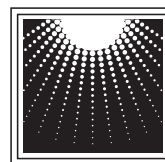
OL7407 (E) 5/09



IMPORTANT TURN OFF THE POWER AT THE MAIN FUSE OR CIRCUIT BREAKER BOX BEFORE STARTING INSTALLATION

Carefully unpack and identify all parts before assembly.
Bulbs not included.

1. Lift latch to open door.
2. A. Slip candle tube over socket.
B. Install candle follower over candle tube.
C. Install type-B, candelabra base, of 60 Watt maximum bulbs (not included).
3. Close door.
4. Electrical installation onto post: If you are replacing an existing fixture, disconnect and remove the old fixture.
 - A) Slip post cup over post. Mark position of holes in post cup on post.
 - B) Remove post cup and expose the supply wiring from above post. Drill 1/8" (3mm) diameter pilot holes in post at places where marked.
 - C) Connect white fixture wire to white supply wire from post with wire connector. Connect black fixture wire to black supply wire from post with wire connector.
NOTE: Black wire from post may be red, round and smooth and/or have copper conductor. White wire from post may be square and ridged and/or have a silver conductor.
 - D) Connect fixture ground wire (without plastic insulation) to ground wire from post (usually with green insulation) with wire connector.
 - IMPORTANT: Never connect ground wire to black or white supply wires.
 - E) Tuck all wires inside of post.
 - F) Slip post cup onto post. Align holes in post cup with holes in post. Secure them together by fastening with sheet metal screws.



**MURRAY
FEISS**

Generation Brands™