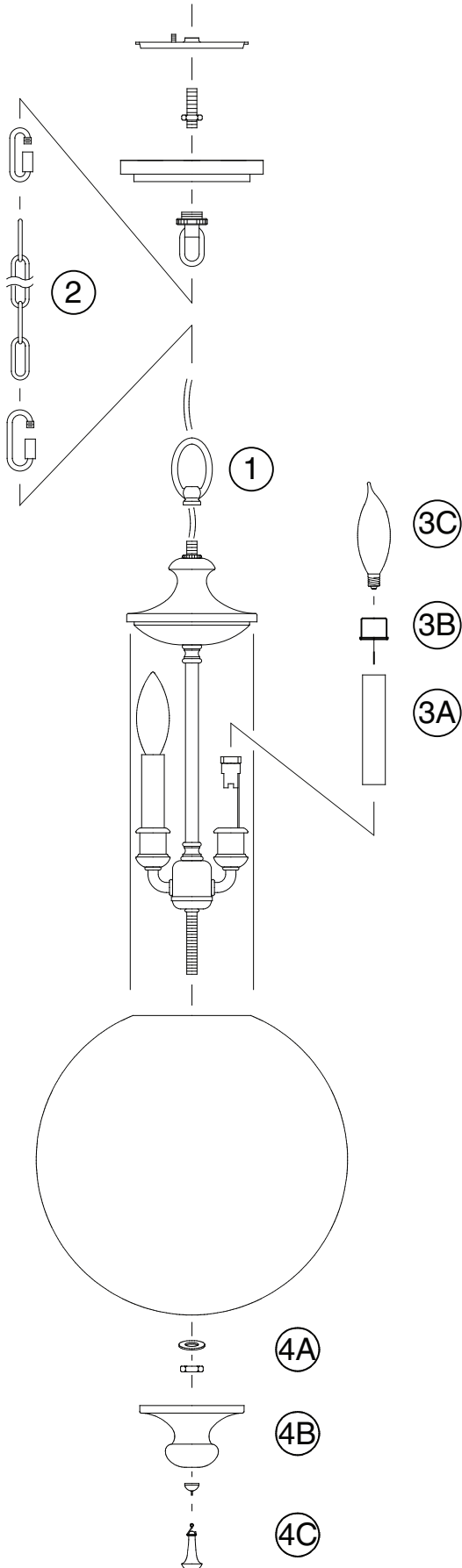


# Assembly Instructions For

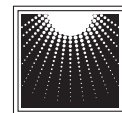
# P1204 (E) 10/09



**IMPORTANT**  
**TURN OFF THE POWER AT THE MAIN FUSE OR**  
**CIRCUIT BREAKER BOX**  
**BEFORE STARTING INSTALLATION**

Carefully unpack and identify all parts before assembly. Bulb not included.

1. Slip fixture loop through fixture wires and then secure by screwing onto top of fixture.
2. Follow enclosed supplement installation instructions for electrical and fixture installation onto house outlet box. If you do not have an outlet box at desired location to attach the fixture then hire a qualified electrician to create one.
3. A. Slip candle tube onto sockets.  
B. Install candle follower on top of candle tubes.  
C. Install light bulb (not included). See relamping label at socket area for type and maximum allowed wattage.
4. A. Slide glass shade through fixture until it checks onto upper section of fixture. Then secure into position by fastening with a washer and a hex nut. **IMPORTANT: DO NOT OVER TIGHTEN.**  
B. Install font by fastening with finial.  
C. Install hanging drop by hooking onto finial.



**MURRAY**  
**FEISS**

GENERATION  
BRANDS™ 