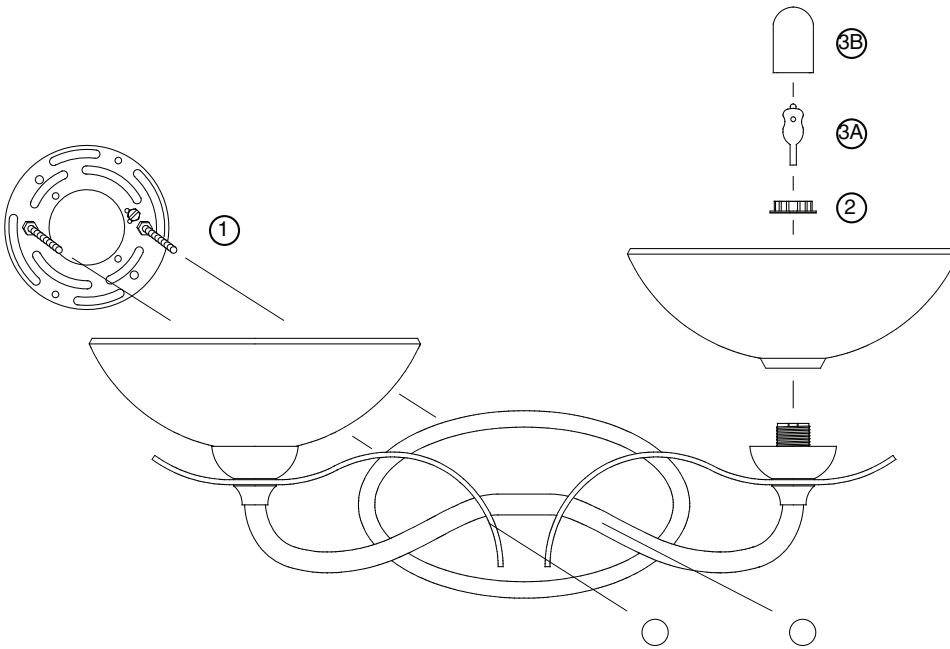


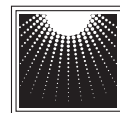
# Assembly Instructions For **VS16302, VS16303** (E) 10/09



**IMPORTANT  
TURN OFF THE POWER AT THE MAIN FUSE OR  
CIRCUIT BREAKER BOX  
BEFORE STARTING INSTALLATION**

Carefully unpack and identify all parts before assembly. Bulbs not included.

1. Follow enclosed supplement installation instructions for electrical and fixture installation onto house outlet box. If you do not have an outlet box at desired location to attach the fixture then hire a qualified electrician to create one.
2. Install shade onto fitters by fastening with counter ring.
3. A. Install bulb (not included). See relamping label located near socket area for type and maximum allowed wattage.  
NOTE: Make certain not to handle lamp with bare hand since this will cause lamp to shatter at high heat. Handle with clean soft cloth.  
B. Install glass dome by screwing onto socket.



**MURRAY  
FEISS**

GENERATION  
BRANDS™ 