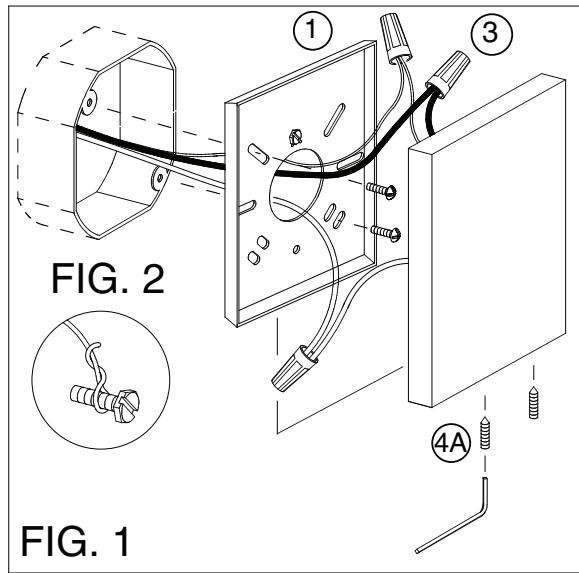


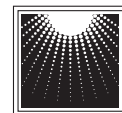
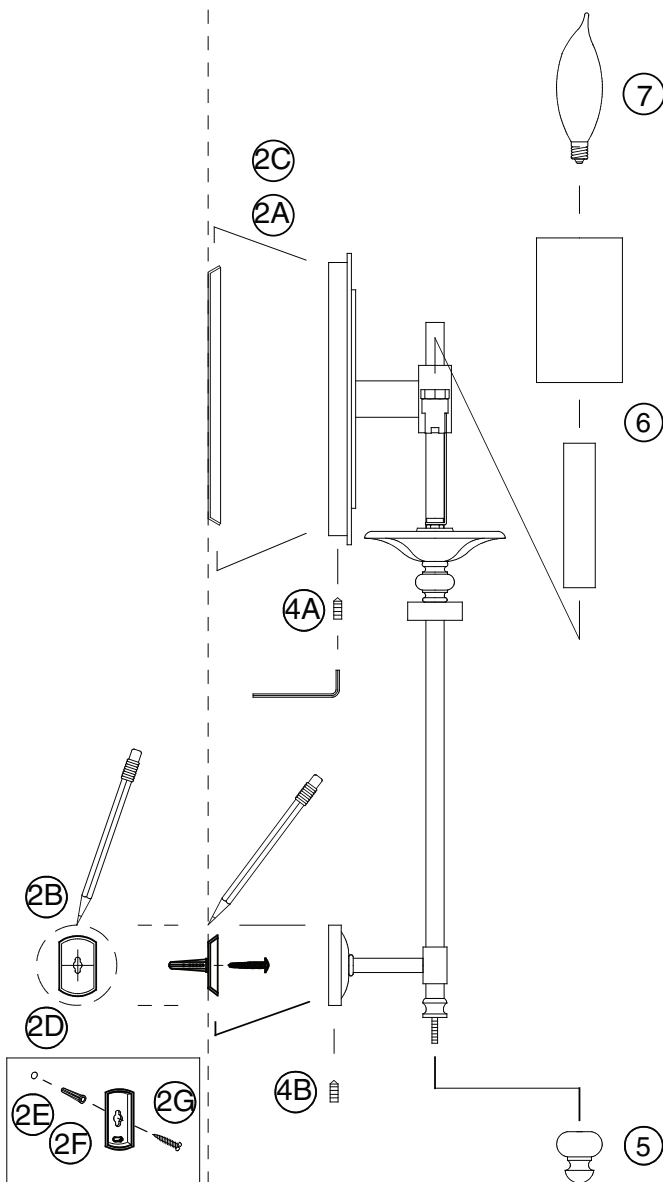
Assembly Instructions For **WB1469** (E) 11/09



IMPORTANT **TURN OFF THE POWER AT THE MAIN FUSE OR CIRCUIT** **BREAKER BOX** **BEFORE STARTING INSTALLATION**

Carefully unpack and identify all parts before assembly. Bulb not included.

1. Install large mounting plate (see fig. 1):
 - A. Take supply wires from outlet box and carefully pass them through center hole of large mounting plate.
Note: The flat surface of large mounting plate must face the outlet box and the angled rim side facing toward you.
 - B. Install large mounting plate onto the outlet box using two screws supplied with outlet box.
 - C. Spread electrical wires so that black wires are on one side of the outlet box and the white wires are on the other side.
2. Install small mounting plate:
 - A. Temporarily install upper fixture plate by hooking onto top of large mounting plate.
 - B. After making certain the upper and small fixture plates are aligned vertically, use a pen to mark the outline around small fixture plate.
 - C. Then remove the fixture plate and set aside.
 - D. Place small mounting plate at center of marked outline. Use pencil to mark a dot at center of slotted hole in mounting plate.
 - E. Drill marked spot. If drywall or masonry wall then use 1/4" (7 mm) drill bit; if wood wall then use 1/8" (4 mm) drill bit.
 - F. Drywall or masonry wall only: Insert plastic anchor into pre-drilled hole.
 - G. Secure small mounting plate onto pre-drilled hole using sheet metal screw (included).
3. Connect electrical wires (see fig. 1):
 - A. Connect white fixture wire(s) to white supply wire from outlet box with wire connector. Connect black fixture wire(s) to black supply wire from outlet box with wire connector.
NOTE: Black outlet box wire may be red, round and smooth and/or have copper conductor. White outlet box wire may be square and ridged and/or have a silver conductor.
 - B. Connect fixture ground wire (without plastic insulation) to ground wire from outlet box (usually with green insulation) with wire connector.
Note: If there is no supply ground wire at outlet box then attach fixture ground wire securely onto green grounding screw located at mounting plate. See fig. 2.
IMPORTANT: Never connect ground wire to black or white supply wires (from outlet box).
4. Install upper and lower fixture plates.
 - A. While carefully tucking all electrical wires inside of upper fixture plate, install the upper fixture plate onto the large mounting plate by fastening with set screws. Use provided hex key to tighten.
 - B. Install lower fixture plate onto small mounting plate by fastening with set screw. Use hex key to tighten.
5. Install finial by screwing onto bottom of fixture.
6. Slip tube over sockets. And then slip candle over tube.
Note: Deeper hollow section of candle must be located at bottom.
7. Install bulb (not included). See relamping label located at socket area for type and maximum allowed wattage.



MURRAY
FEISS

GENERATION
BRANDS™