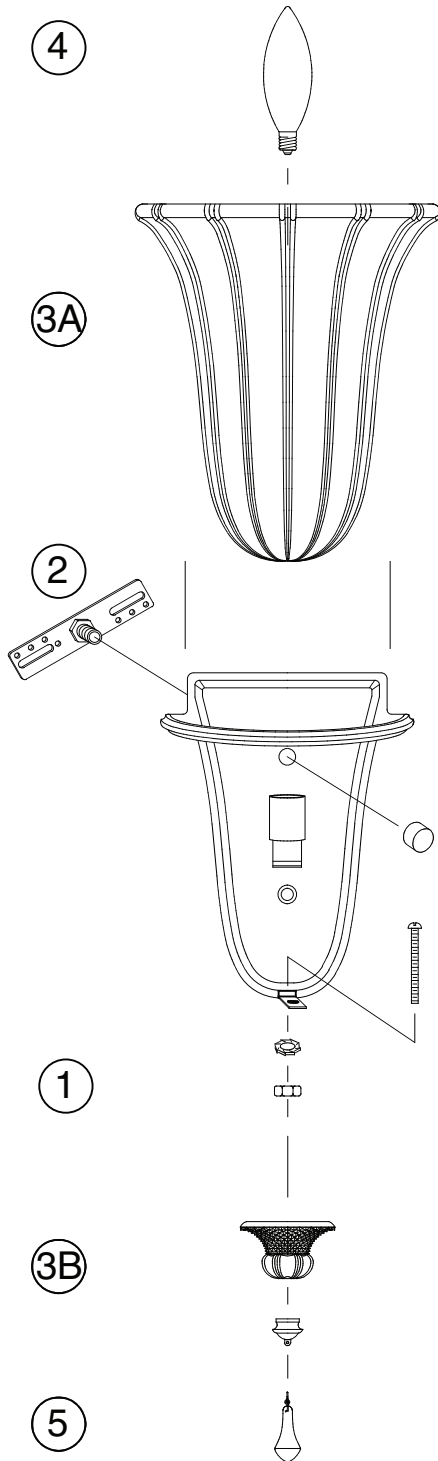


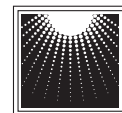
Assembly Instructions For **WB1492** (E) 11/09



IMPORTANT
TURN OFF THE POWER AT THE MAIN FUSE OR
CIRCUIT BREAKER BOX
BEFORE STARTING INSTALLATION

Carefully unpack and identify all parts before assembly. Bulbs not included.

1. Install screw onto bottom of fixture plate by fastening with flat washer and hex nut.
2. Follow enclosed supplement installation instructions for electrical and fixture installation onto house outlet box. If you do not have an outlet box at desired location to attach the fixture then hire a qualified electrician to create one.
3. A. Slip shade inside of ring until it sits securely.
B. Slip front through the installed screw and secure by fastening finial.
4. Install bulb (not included). See relamping label located near socket area for type and maximum allowed wattage.
5. Install hanging drop by hooking onto finial.



MURRAY
FEISS

GENERATION
BRANDS™ 