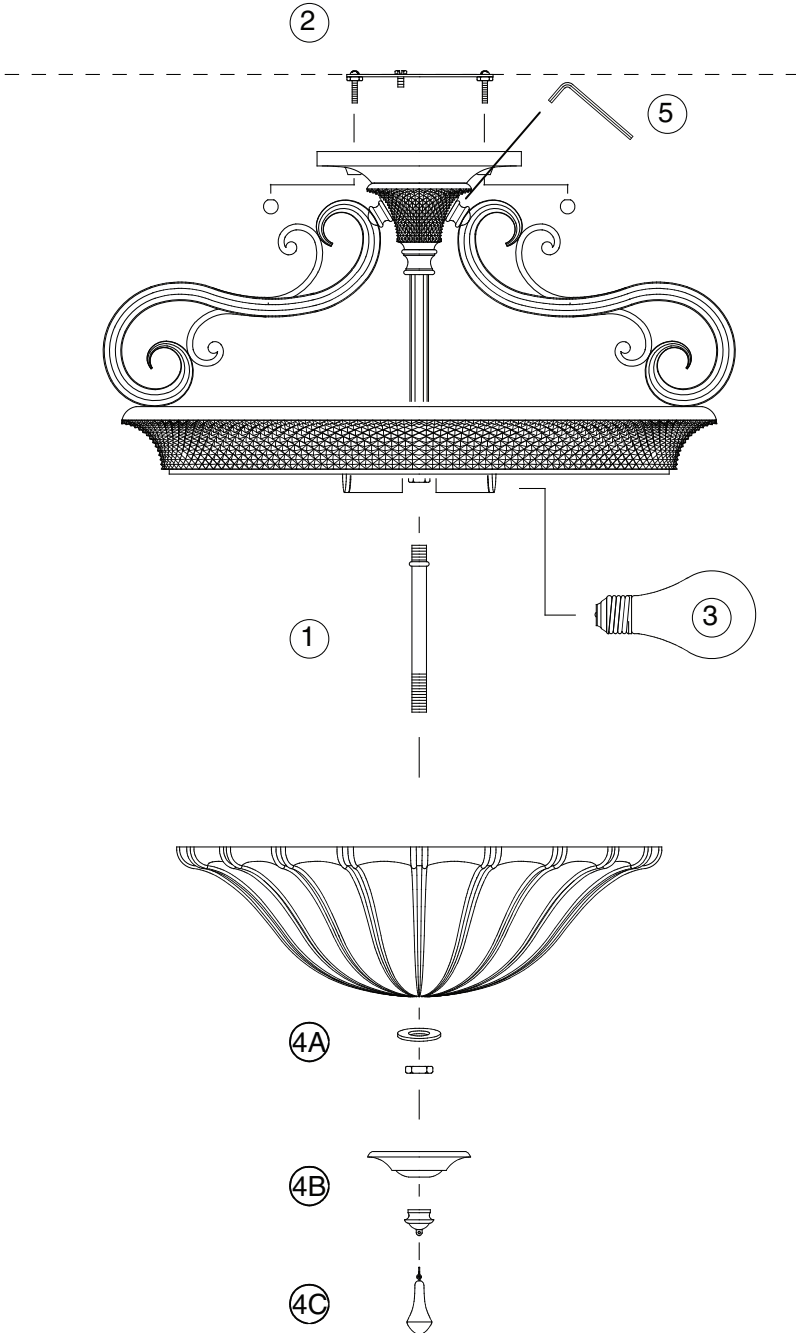


Assembly Instructions For

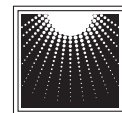
SF278 (E) 11/09



IMPORTANT TURN OFF THE POWER AT THE MAIN FUSE OR CIRCUIT BREAKER BOX BEFORE STARTING INSTALLATION

Carefully unpack and identify all parts before assembly. Bulbs not included.

1. Install center pipe by screwing onto bottom of socket assembly.
2. Follow enclosed supplement installation instructions for electrical and fixture installation onto house outlet box. If you do not have an outlet box at desired location to attach the fixture then hire a qualified electrician to create one.
3. Install light bulb (not included). See relamping label at socket area for type and maximum allowed wattage.
4. A. Slip shade through center pipe until it securely checks into bottom of crown. Secure in position by fastening with a flat washer and hex nut. Do not over tighten.
B. Install font by fastening with finial.
C. Install hanging drop by hooking onto finial.
5. If arms become loose then use enclosed hex key to tighten at location as shown in illustration.



**MURRAY
FEISS**

GENERATION
BRANDS™ 