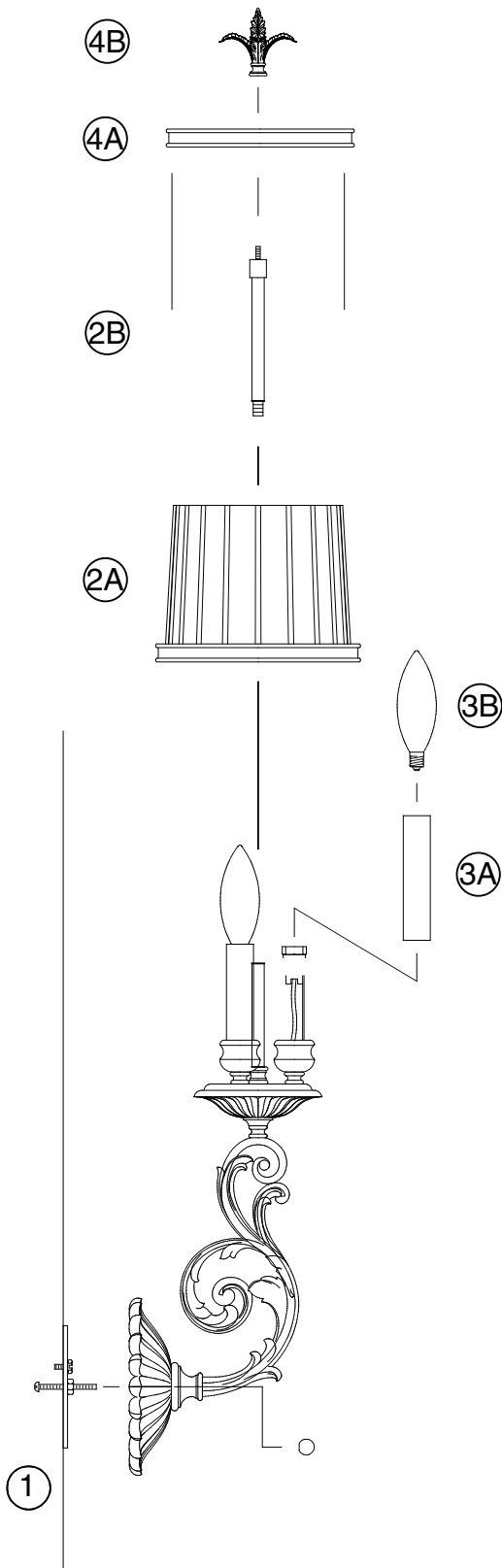


Assembly Instructions For

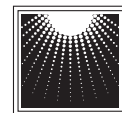
WB1484 (E) 11/09



IMPORTANT
TURN OFF THE POWER AT THE MAIN FUSE OR
CIRCUIT BREAKER BOX
BEFORE STARTING INSTALLATION

Carefully unpack and identify all parts before assembly. Bulbs not included.

1. Follow enclosed supplement installation instructions for electrical and fixture installation onto house outlet box. If you do not have an outlet box at desired location to attach the fixture then hire a qualified electrician to create one.
2. A. Install shade on top of lower center pipe.
B. Secure shade by installing upper center pipe by screwing on top of lower center pipe. See illustration for correct position of upper center pipe.
3. A. Slip candle tube onto sockets.
B. Install light bulb (not included). See relamping label at socket area for type and maximum allowed wattage.
4. A. Install upper trim ring on top of glass shade.
B. Install finial by screwing on top of upper center pipe.



MURRAY
FEISS

GENERATION
BRANDS™ 