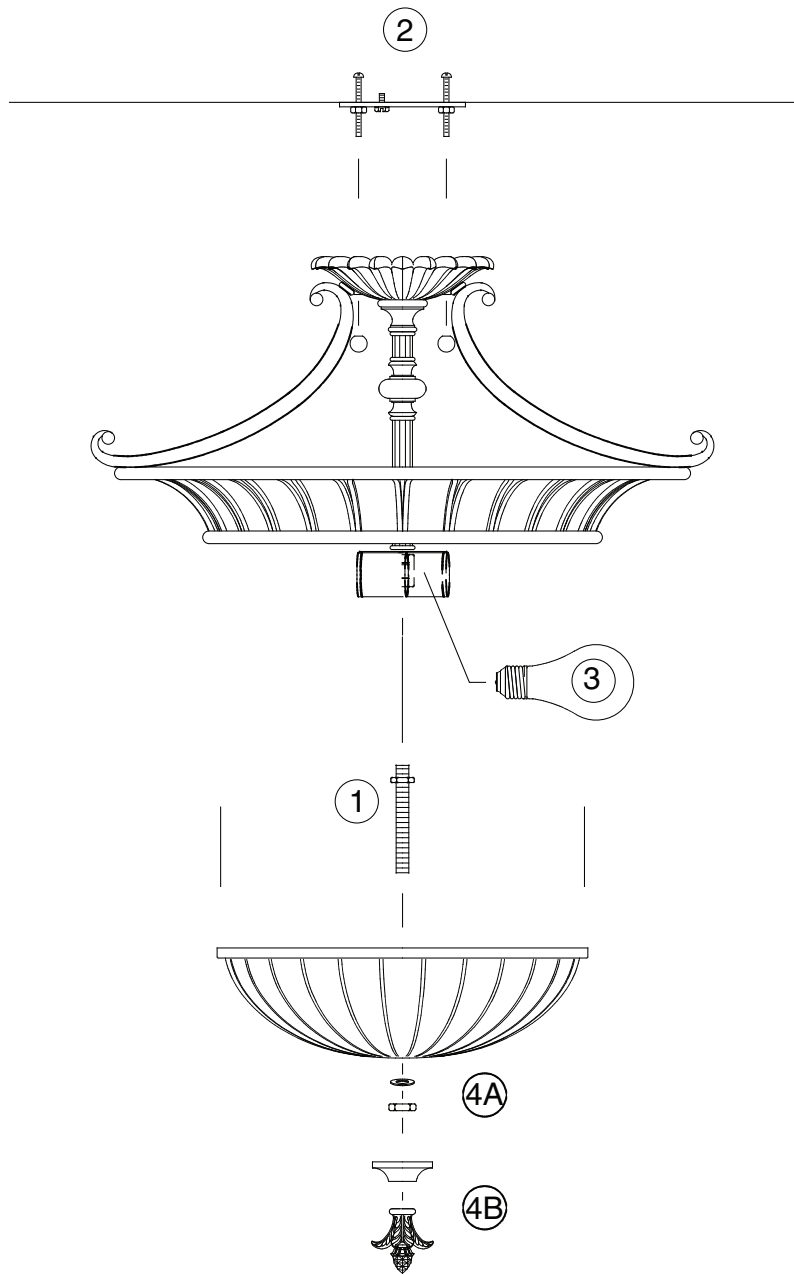


# Assembly Instructions For

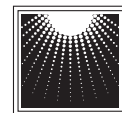
# SF277 (E) 12/09



## **IMPORTANT** **TURN OFF THE POWER AT THE MAIN FUSE OR** **CIRCUIT BREAKER BOX** **BEFORE STARTING INSTALLATION**

Carefully unpack and identify all parts before assembly.  
Bulbs not included.

1. Screw the long threaded pipe into coupler located at bottom of socket assembly. Note correct position of threaded pipe at illustration.
2. Follow enclosed supplement installation instructions for electrical and fixture installation onto house outlet box. If you do not have an outlet box at desired location to attach the fixture then hire a qualified electrician to create one.
3. Install bulbs (not included). See relamping label located near socket area for type and maximum allowed wattage.
4. A. Slip shade through the threaded pipe until it securely checks into bottom of crown. Then secure into position by fastening with a flat washer and hex nut. **IMPORTANT: DO NOT OVER TIGHTEN.**  
B. Install cover by fastening with finial.



**MURRAY**  
**FEISS**

GENERATION  
BRANDS™ 