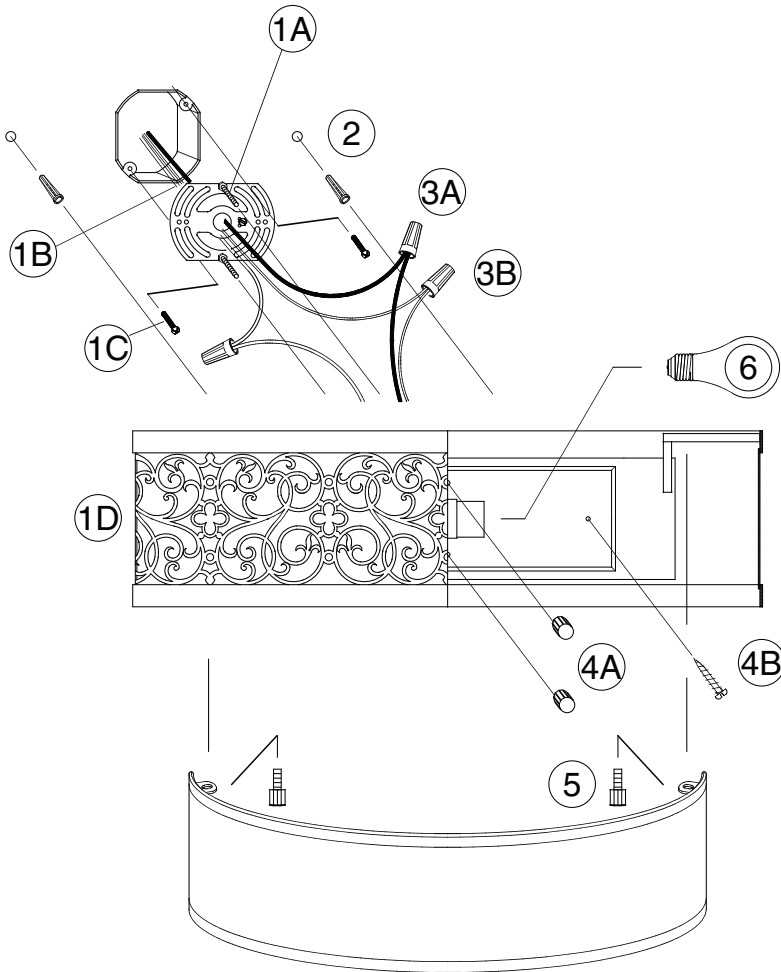


Assembly Instructions For

VS16702 (E) 12/09

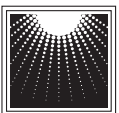


IMPORTANT

TURN OFF THE POWER AT THE MAIN FUSE OR CIRCUIT BREAKER BOX BEFORE STARTING INSTALLATION

Carefully unpack and identify all parts before assembly. Bulbs not included.

1. Install mounting plate:
 - A. Fasten two long machine screws (supplied) onto the mounting plate (from the side opposite of green grounding screw head). NOTE: Install onto holes corresponding with fixture plate mounting holes.
 - B. Take supply wires from wall outlet box and carefully pass them through center hole of mounting plate.
 - C. Install mounting plate onto the outlet box using two screws supplied with outlet box.
 - D. Test install fixture plate to make certain about 1/4" (5mm) of screws protrude outside of fixture plate. If not then remove fixture plate and adjust screws length accordingly. Secure screws length by fastening with two hex nuts. Make certain not to spin screws during fastening.
2. Install anchor (included):
 - A. Test install fixture plate onto the two long machine screws. Then while the fixture plate is leveled horizontally, use a pencil to mark two holes located on the fixture plate.
 - B. Remove the fixture plate and set aside.
 - C. Drill marked spots. If drywall or masonry wall then use 1/4" (7 mm) drill bit; if wood wall then use 1/8" (4 mm) drill bit.
 - D. Drywall or masonry wall only: Insert plastic anchor into pre-drilled holes.
3. Connect electrical wires:
 - A. Connect white fixture wire(s) to white supply wire from outlet box with wire connector. Connect black fixture wire(s) to black supply wire from outlet box with wire connector.
NOTE: Black outlet box wire may be red, round and smooth and/or have copper conductor. White outlet box wire may be square and ridged and/or have a silver conductor.
 - B. Connect fixture ground wire (without plastic insulation) to ground wire from outlet box (usually with green insulation) with wire connector.
Note: If there is no supply ground wire at outlet box then attach fixture ground wire securely onto green grounding screw located at mounting plate.
IMPORTANT: Never connect ground wire to black or white supply wires (from outlet box).
4. Install fixture plate:
 - A. Install fixture plate onto mounting plate by fastening with two cap nuts.
 - B. Secure fixture plate onto pre-drilled holes using sheet metal screws (included).
5. Install fabric shade inside of fixture frame by fastening with two cap screws.
6. Install bulb (not included). See relamping label located at socket area for type and maximum allowed wattage.



**MURRAY
FEISS**

GENERATION
BRANDS™