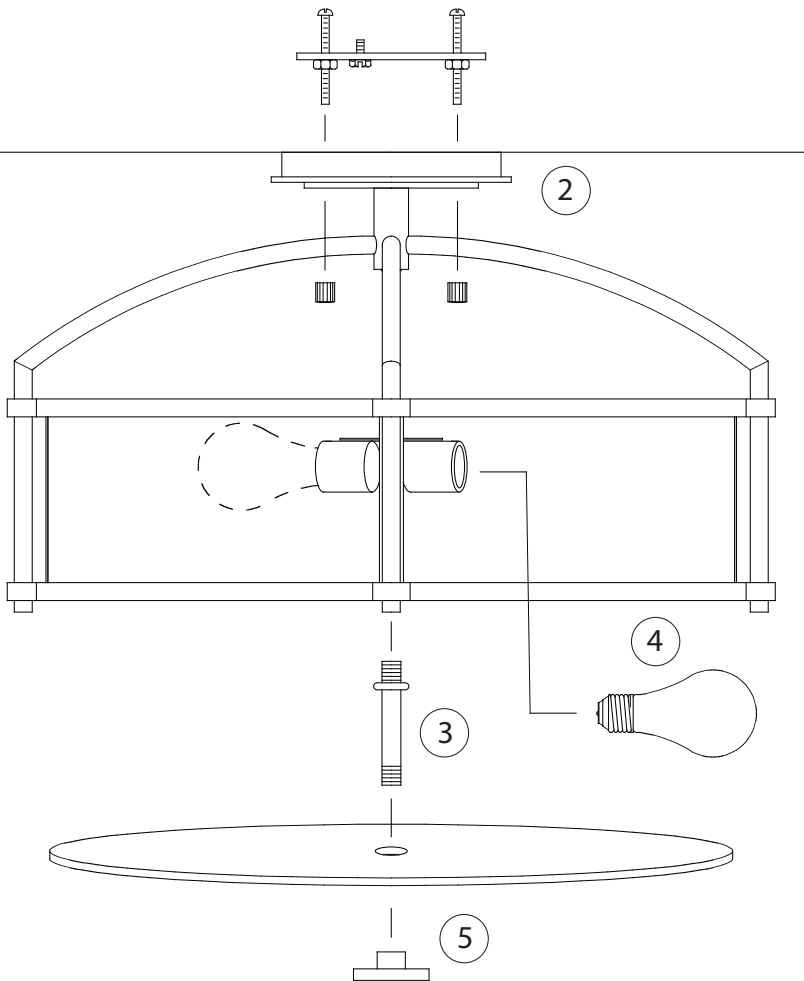


Assembly Instructions For

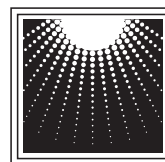
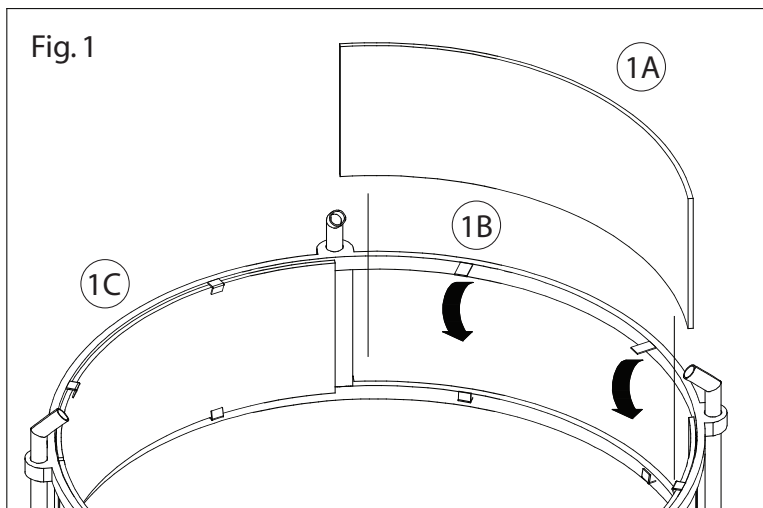
SF270 (E) 5/09



IMPORTANT TURN OFF THE POWER AT THE MAIN FUSE OR CIRCUIT BREAKER BOX BEFORE STARTING INSTALLATION

Carefully unpack and identify all parts before assembly.
Bulb not included.

1. Install glass panels: (see fig. 1)
 - A. Gently grab onto a glass panel, slip inside of main frame. Make certain bottom edge of panel sits inside of bottom tabs.
 - B. Secure glass panel by bending tabs located at top.
 - C. Repeat rest panels.
2. Follow enclosed supplement installation instructions for electrical and fixture installation onto house outlet box. If you do not have an outlet box at desired location to attach the fixture than hire a qualified electrician to create one.
3. Install long threaded pipe by screwing into bottom of socket assembly. Note correct position of center pipe at illustration.
4. Install light bulb (not included). See relamping label at socket area for type and maximum allowed wattage.
5. Slip glass plate through long threaded pipe until it checks inside of main frame. Lock glass plate by fastening finial. Do not over tighten.



**MURRAY
FEISS**
Generation Brands™