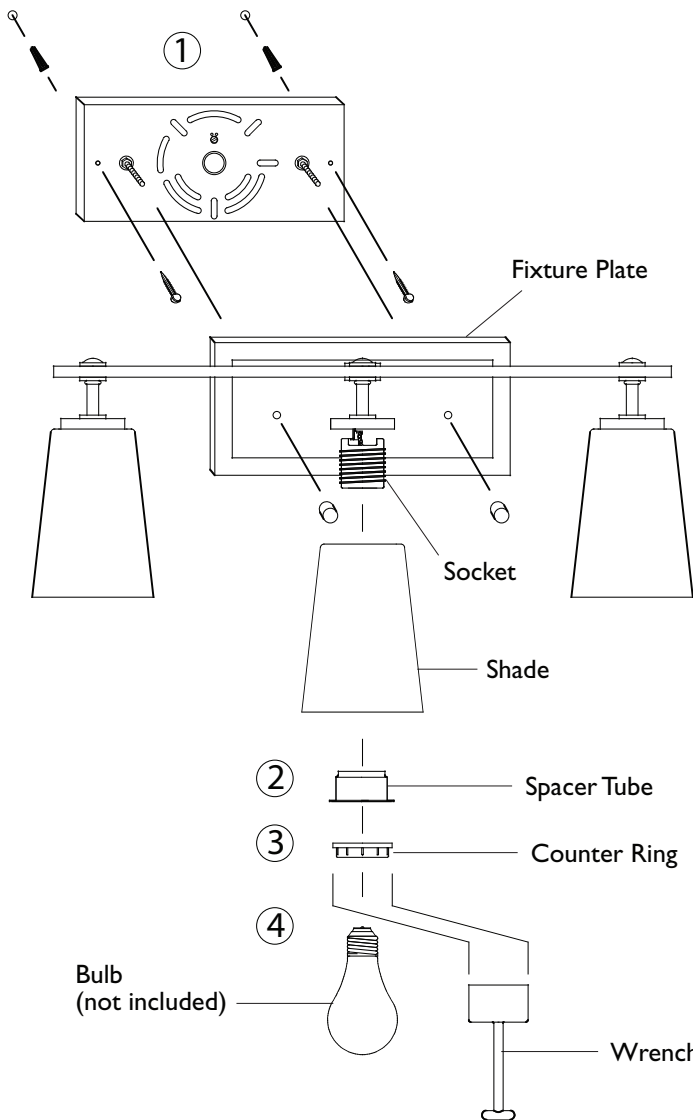


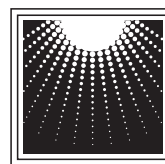
Assembly Instructions For **VS14902, VS14903, VS14904** (E) 11/08



IMPORTANT **TURN OFF THE POWER AT THE MAIN FUSE OR** **CIRCUIT BREAKER BOX** **BEFORE STARTING INSTALLATION**

Carefully unpack and identify all parts before assembly.
Bulb not included.

1. Follow enclosed supplement installation instructions for electrical and fixture installation onto house outlet box. If you do not have an outlet box at desired location to attach the fixture than hire a qualified electrician to create one.
2. Remove counter ring and spacer tube from socket.
3. Place shade over threaded socket then spacer tube and secure with counter ring, using supplied wrench.
4. Install light bulb (not included). See relamping label at socket area for type and maximum allowed wattage.



MURRAY
FEISS

Generation Brands™