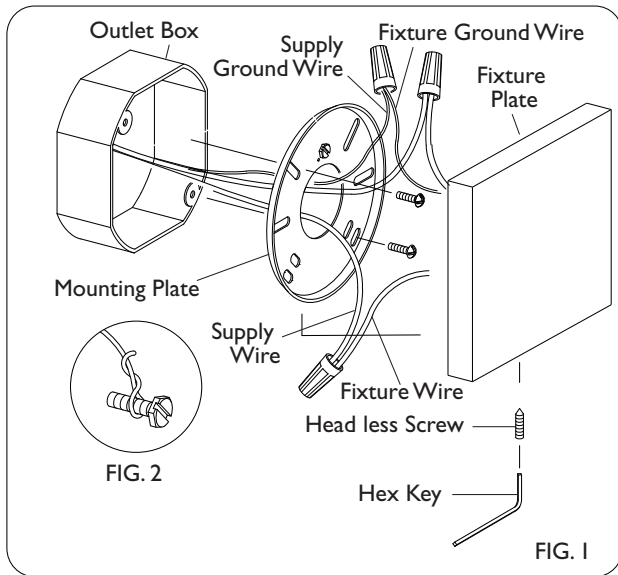


Assembly Instructions For **VS14501** (E) 10/08



IMPORTANT TURN OFF THE POWER AT THE MAIN FUSE OR CIRCUIT BREAKER BOX BEFORE STARTING INSTALLATION

Carefully unpack and identify all parts before assembly.
Bulb not included.

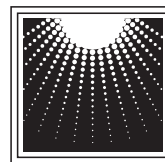
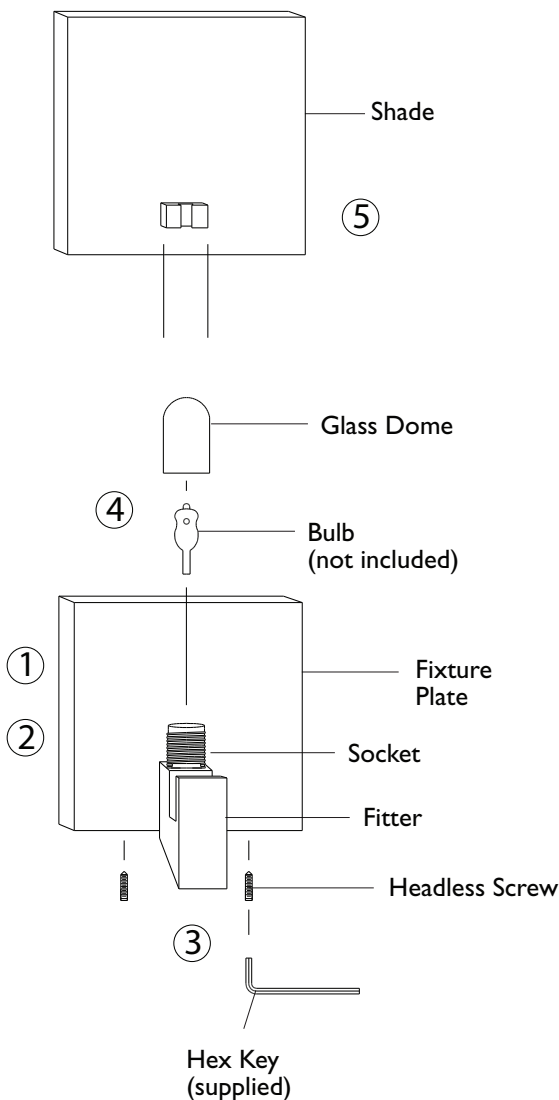
1. Install mounting plate (see fig. 1):
 - A. Take supply wires from outlet box and carefully pass them through center hole of mounting plate. Note: the flat surface of mounting plate must face the outlet box and the angled rim side facing toward you.
 - B. Install mounting plate onto the outlet box using two screws supplied with outlet box.
 - C. Spread electrical wires so that black wires are on one side of the outlet box and the white wires are on the other side.

2. Connect electrical wires (see fig. 1):
 - A. Connect fixture wires (with plastic insulation) Connect fixture wire without tracer (round and smooth) to black (or red) supply wire. Connect fixture wire with tracer (square and ridged) to white supply wire. Wrap with electrical tape to secure wire connector and wires together.
 - B. Connect ground wire: Connect fixture ground wire to supply ground wire (usually with green insulation) with wire connector. Note: If there is no supply ground wire at outlet box then attach fixture ground wire securely onto green grounding screw located at mounting plate. See fig. 2.
IMPORTANT: Never connect ground wire to black or white supply wires.

3. Install fixture plate (see fig. 1): While carefully tucking all electrical wires inside of fixture plate, install the fixture plate onto the mounting plate by fastening with a headless screw. Use provided hex key to tighten.

4. A. Install bulb (not included). See relamping label located near socket area for type and maximum allowed wattage.
NOTE: Make certain not to handle lamp with bare hand since this will cause lamp to shatter at high heat. Handle with clean soft cloth.
B. Install glass dome by screwing onto socket.

5. Install shade by sliding into slot in fitter.



**MURRAY
FEISS**

Generation Brands™