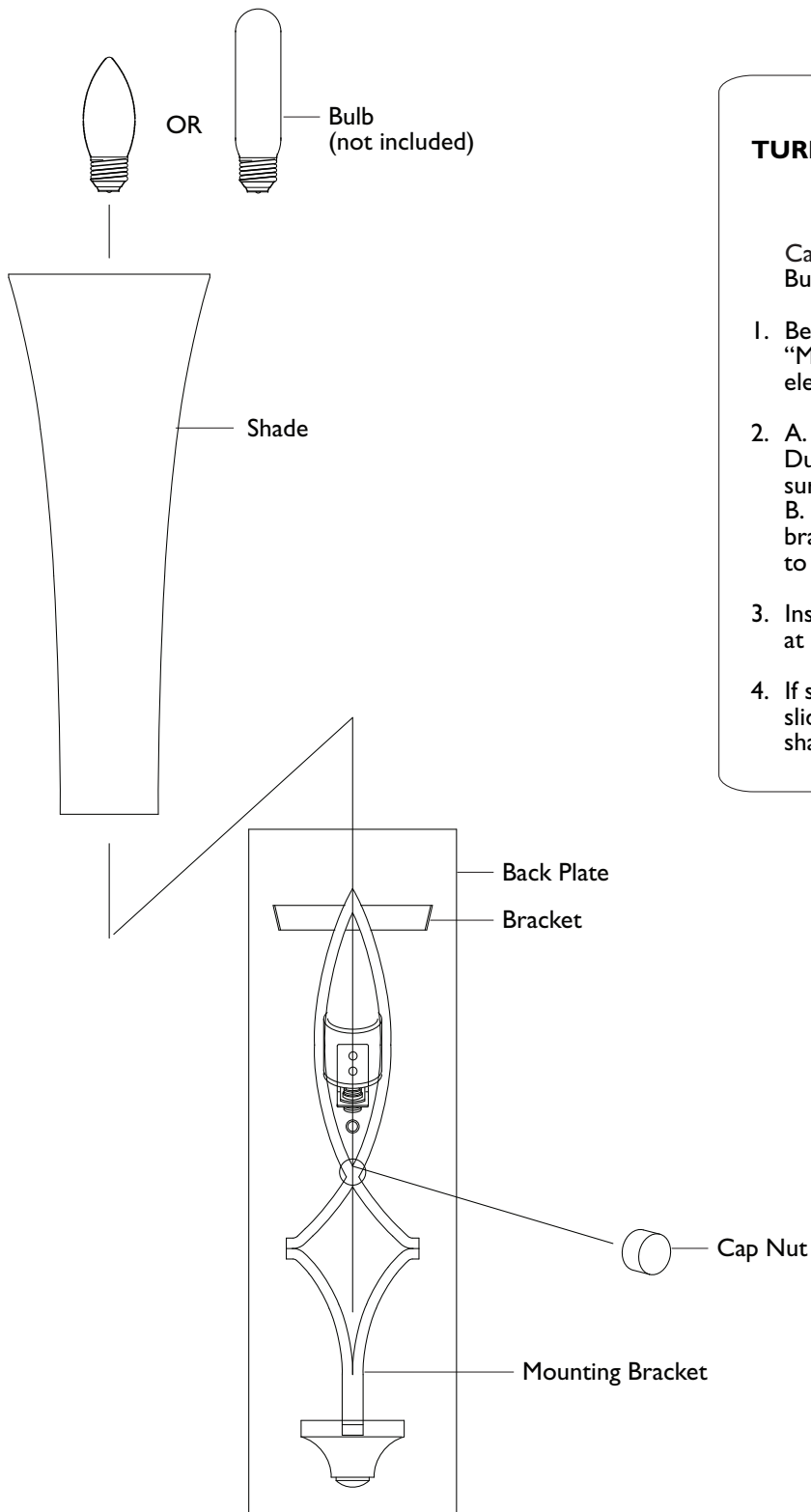


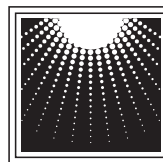
# Assembly Instructions For **WB1349** (E) 9/10



**IMPORTANT**  
**TURN OFF THE POWER AT THE MAIN FUSE OR**  
**CIRCUIT BREAKER BOX**  
**BEFORE STARTING INSTALLATION**

Carefully unpack and identify all parts before assembly.  
Bulbs not included.

1. Before proceeding below instructions follow enclosed "Multiple Standard Installation Instructions" for electrical and fixture installation onto wall outlet box.
2. A. Install shade by slipping inside of mounting bracket. During sliding take precaution not scrape back plate surface.  
B. After securing shade, adjust and then lock the bracket (located at top section of back plate) in order to properly center the shade.
3. Install bulb (not included). See relamping label located at socket area for type and maximum allowed wattage.
4. If shade, after installation, does not sit straight then slide the bracket side to side accordingly to support shade from tilting.



**MURRAY**  
**F E I S S**  
Generation Brands™