

1. Hold the product on desired wall location and mark mounting hole locations. Make certain they are leveled.

2. **Dry wall or Tile on Dry Wall Installation:** Pre-drill holes using 3/8" drill bit. (Tile on dry wall installation requires 3/8" masonry drill bit)

Wood Wall Installation: Pre-drill holes using 1/8" drill bit.

Masonry Wall or Tile on Masonry Wall Installation: Pre drill holes using 3/16" masonry drill bit)

3. **Dry Wall or Tile on Dry Wall Installation:** Insert machine screws thru two holes in the product. Thread butterfly anchors into machine screws as shown in diagram. Pinch together the ends of butterfly anchors and push into predrilled 3/8" holes until anchors spring open inside of wall. While pulling the product away from wall, tighten screws with a screw driver.

Wood Wall Installation: Insert sheet metal screws thru two holes in the product. Fasten screws directly into predrilled 1/8" holes.

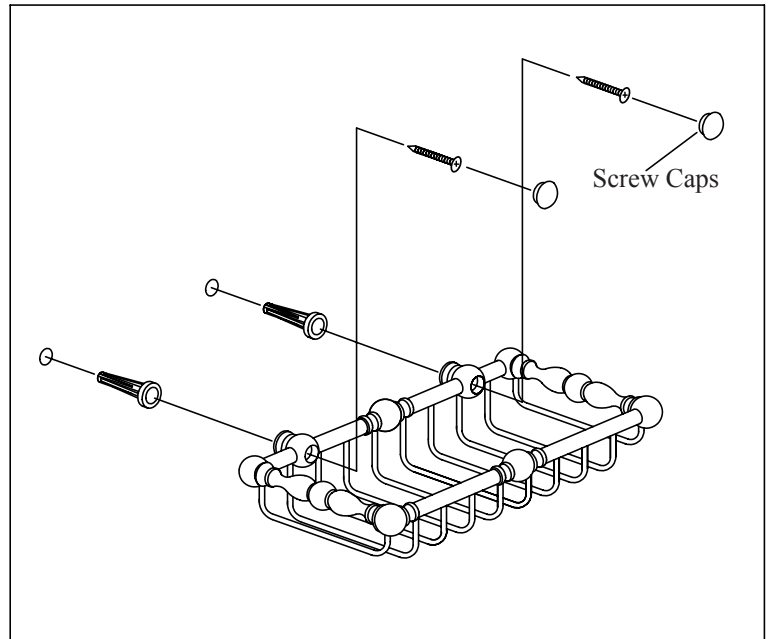
Masonry or Tile on Masonry Wall Installation: Insert plastic anchors into pre-drilled 3/16" holes. Insert sheet metal screws thru two holes in the product. Fasten screws into plastic anchors.

4. Seal mounting holes with screw cap.

Care and Cleaning Instructions

Using a soft cloth or sponge wash with warm and soapy water. Do not use abrasive cleaners or cleaner containing bleach.

WOOD WALL or MANSIONRY WALL or TILE ON MANSIONRY WALL INSTALLATION:



DRY WALL or TILE ON DRY WALL INSTALLATION:

