

READ ALL INSTRUCTIONS BEFORE ASSEMBLING LAMP

Carefully unpack lamp parts onto carpeted surface or blanket and identify all parts.

1. Place Iron Frame onto Socket.
2. Place Glass Shade into Iron Frame. Secure by placing Spacer Tube onto Socket.
3. Secure Glass Shade into place by fastening Counter Ring onto Socket over Spacer Tube.
4. Screw Font onto Lamp Body.
5. Install a Type B, 60 Watt Max. Candelabra Base Bulb (not included) into Socket as noted on relamping label at Socket area.
6. **ELECTRICAL PLUG IN:**
Option 1: Plug onto existing wall outlet receptacle: Run wall bracket electrical wire down wall and plug into existing house wall outlet. Attach cord cover assembly to wall using supplied plastic anchor's. (see option 1)

IMPORTANT SAFETY INSTRUCTIONS:

This portable lamp has a polarized plug (*one blade is wider than the other*) as a safety feature to reduce the risk of electric shock. This plug will fit in a polarized outlet only one way. If the plug does not fit fully in the outlet, reverse the plug. If it still does not fit contact a qualified electrician. Never use with an extension cord unless plug can be fully inserted. Do not attempt to defeat this safety feature.

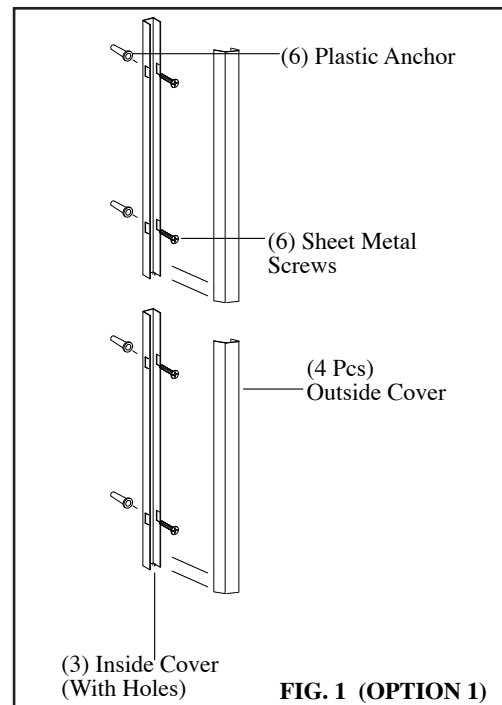


FIG. 1 (OPTION 1)