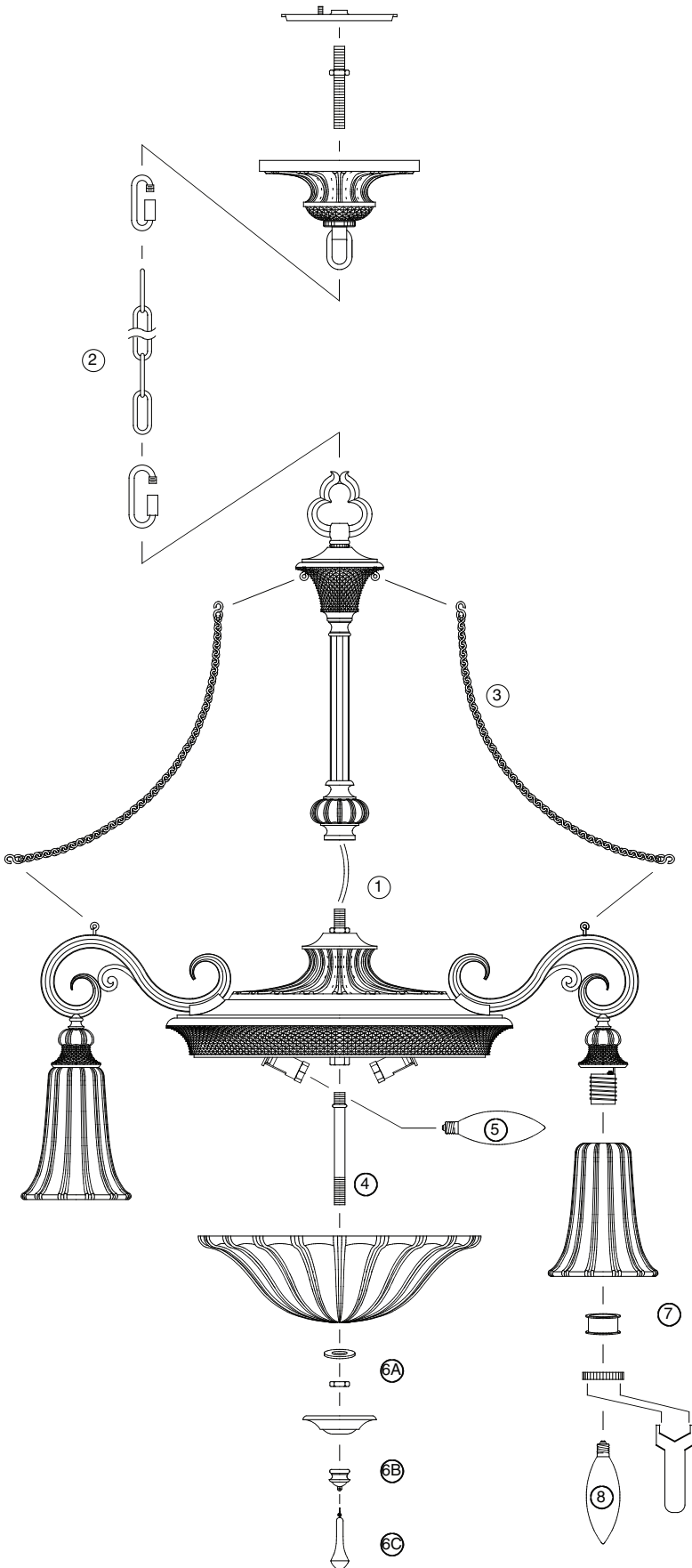


Assembly Instructions For

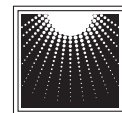
F2546/6+2 (E) 11/09



IMPORTANT TURN OFF THE POWER AT THE MAIN FUSE OR CIRCUIT BREAKER BOX BEFORE STARTING INSTALLATION

Carefully unpack and identify all parts before assembly. Bulbs not included.

1. Slip column through fixture wires and then secure by screwing on top of fixture.
2. Follow enclosed supplement installation instructions for electrical and fixture installation onto house outlet box. If you do not have an outlet box at desired location to attach the fixture then hire a qualified electrician to create one.
3. Hook decorative chains first onto the column and then proceed to hook onto arms.
4. Install long threaded pipe by screwing onto bottom of fixture.
5. Install type-B, candelabra base, of 40 Watt maximum bulbs (not included) onto sockets located at main center body.
6. A. Slip center shade through long threaded pipe until it securely checks into bottom of fixture. Secure into position by fastening with a flat washer and hex nut. Do not over tighten.
B. Install font by fastening with finial.
C. Install hanging drop by hooking onto finial.
7. Install side shade onto fitters by fastening with spacer tube and counter ring. Use supplied wrench to tighten counter ring.
8. Install type-B, candelabra base, of 60 Watt maximum bulbs (not included) onto sockets.



**MURRAY
FEISS**

GENERATION
BRANDS™