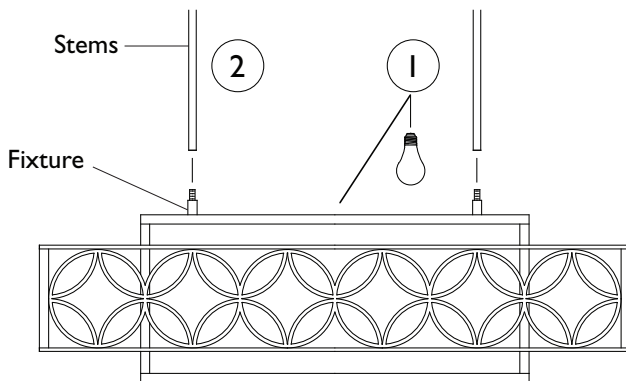
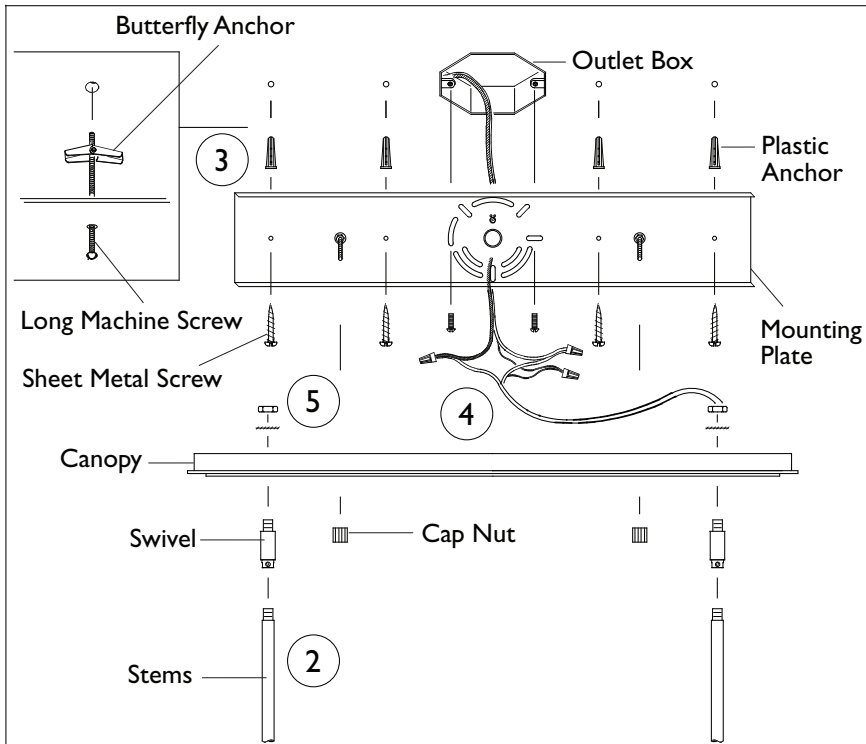
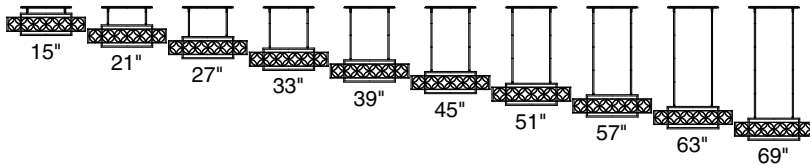


Assembly Instructions For F2468/4 (E) 5/09

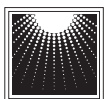


IMPORTANT

TURN OFF THE POWER AT THE MAIN FUSE OR CIRCUIT BREAKER BOX BEFORE STARTING INSTALLATION

Carefully unpack and identify all parts before assembly. Bulbs not included.

- Install light bulb (not included). See relamping label at socket area for type and maximum allowed wattage.
- Install stems:
 - Choose desired installation height from dimensions shown in above diagram. Thread fixture wires through each stems to be used. Note correct position of stems from left diagram. Screw all stem together until secure.
 - Pass fixture wires located above the assembled stems through a swivel. NOTE: Correct position of swivel from left diagram. Install swivel by screwing onto top end of stem. Install another swivel onto opposite stem assembly.
 - Pass fixture wires located above swivel and pass through a hole in canopy. Lock them together by fastening with a lock washer and hex nut from above. Repeat other side (without wires).
- Install mounting plate:
 - Test install the mounting plate onto ceiling outlet box by fastening with two screws supplied with the outlet box.
 - Mark with pencil the two holes on mounting plate.
 - Remove mounting plate.
 - IF SHEET ROCK CEILING: Drill marked holes using 3/8" drill bit.
IF MARKED HOLES FALL DIRECTLY BELOW WOODEN CEILING BEANS: Drill marked holes using 1/8" drill bit.
IF CONCRETE CEILING: Drill marked holes using 3/16" drill bit (for masonry or concrete type).
NOTE: If in doubt what type of ceiling then consult a qualified contractor or electrician for installation.
 - Before fastening the mounting plate, pass supply wires and ground wire from ceiling outlet box through center hole in mounting plate.
 - IF SHEET ROCK CEILING: Insert long machine screws into holes in mounting plate. Attach butterfly anchors by screwing onto protruding screws as shown on diagram. Pinch together the ends of butterfly anchors and push into drilled holes until anchors spring open inside of ceiling. While gently pulling mounting plate away from ceiling, tighten screws with a screw driver.
IF MARKED HOLES FALL DIRECTLY BELOW WOODEN CEILING BEANS: Insert sheet metal screws through holes in mounting plate. Fasten screws directly into drilled holes.
IF CONCRETE CEILING: Insert plastic anchors into drilled holes. Insert sheet metal screws through holes in mounting plate. Fasten screws into plastic anchors.
- Connect electrical wires:
 - Cut any excess fixture wires and ground wire leaving only about 8" (20 cm) length from top of canopy. Then split fixture wires (with plastic insulation) and strip off 3/4" (19 mm) of plastic insulation from each end.
 - Connect fixture wires (with plastic insulation):
Connect fixture wires with tracer (square and ridged) to white wire from outlet box. Connect fixture wires without tracer (round & smooth) to black wire from outlet box.
NOTE: Black outlet box wire may be red, round and smooth and/or have copper conductor. White outlet box wire may be square and ridged and/or have a silver conductor.
 - Connect ground wire:
Connect fixture ground wire to supply ground wire (usually with green insulation) with wire connector. Note: If there is no supply ground wire at outlet box then attach fixture ground wire securely onto green grounding screw located at mounting plate.
IMPORTANT: Never connect ground wire to black or white supply wires (from outlet box).
- Install canopy:
While carefully tucking all electrical wires inside of canopy, install the canopy onto the mounting plate by fastening with two cap nuts.



**MURRAY
FEISS**
Generation Brands™