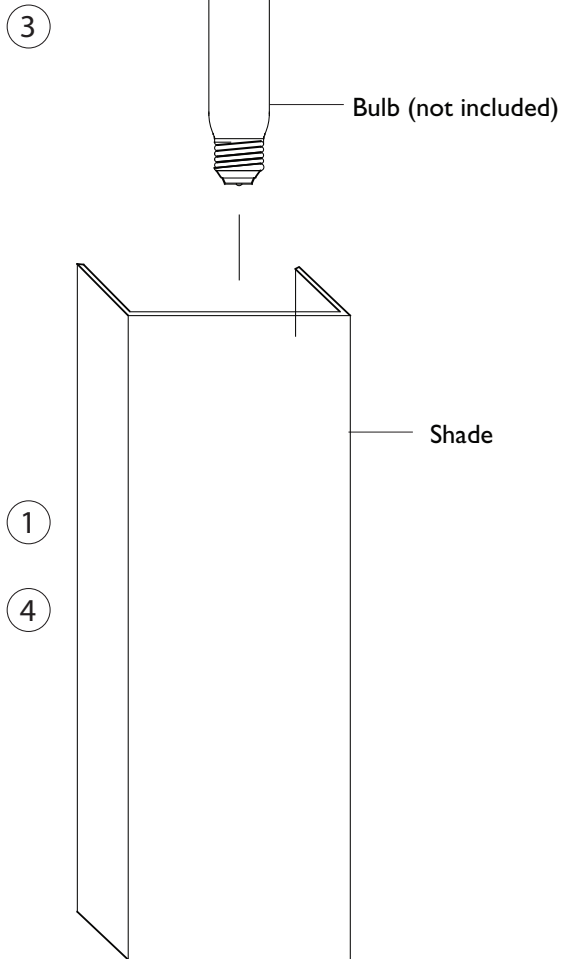


# Assembly Instructions For

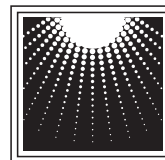
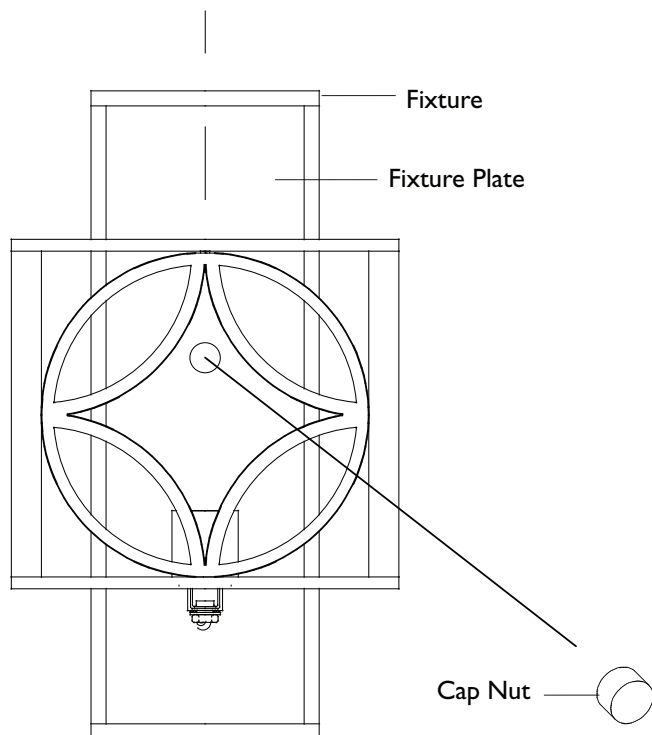
# WB1446 (E) 5/09



**IMPORTANT**  
**TURN OFF THE POWER AT THE MAIN FUSE OR**  
**CIRCUIT BREAKER BOX**  
**BEFORE STARTING INSTALLATION**

Carefully unpack and identify all parts before assembly.  
Bulb not included.

1. Slip shade out from fixture and set it aside.
2. Follow enclosed supplement installation instructions for electrical and fixture installation onto house outlet box. If you do not have an outlet box at desired location to attach the fixture than hire a qualified electrician to create one.
3. Install type-T, medium base, of 60 Watt maximum bulb (not included).
4. Install shade by sliding inside of fixture.



**MURRAY**  
**FEISS**  
Generation Brands™