



4" CENTERSET Z81101-XL

TAG _____

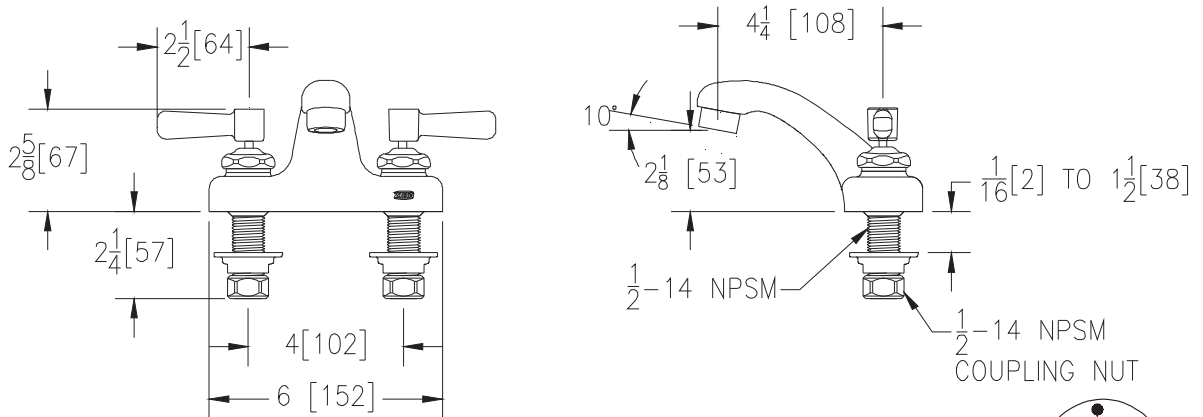


Engineering Specification: Zurn AquaSpec® Z81101-XL

Polished chrome-plated cast brass faucet body with integral shanks, quarter turn ceramic disc cartridges and a 4" [102mm] long integral cast spout. Unit is furnished with a 2.2 GPM [8.3 L] pressure compensating aerator (complying with ANSI A112.18.1 Standard for flow), 2-1/2" [64mm] vandal-resistant color-coded metal lever handles, mounting hardware and 1/2" NPSM coupling nuts for standard lavatory risers.



Zurn Lead Compliant* "XL" products are a line of durable, high quality brass faucets and fixtures that are designed and manufactured to comply with state laws and local codes that mandate lead content levels. Zurn "XL" products are manufactured with *not more than 0.25% lead content when used with respect to wetted surfaces of pipes and pipe fittings, plumbing fitting and fixtures: California Health & Safety Code § 116875; Vermont 9 VCA § 2470h.



Note: All dimensions are for reference only. Do not use for pre-plumbing



OPTIONAL ACCESSORIES

Suffix	Description
___-G	1-1/4" [32mm] Grid Strainer Drain
___-HCT	Hot/Cold Text Indexes
___-PT	1-1/4" [32mm] Cast Brass P-Trap with a 7-1/2" [191mm] Long 17-Gauge Wall Bend
___-2M	2.2 GPM [8.3 L] Vandal-Resistant Pressure Compensating Male Aerator
___-3M	0.5 GPM [1.9 L] Vandal-Resistant Pressure Compensating Male Aerator
___-4M	2.2 GPM [8.3 L] Vandal-Resistant Pressure Compensating Male Laminar Flow
___-7M	1.0 GPM [3.8 L] Pressure Compensating Male Spray Outlet
___-16M	1.0 GPM [3.8 L] Vandal-Resistant Pressure Compensating Male Spray Outlet
___-17M	1.5 GPM [5.7 L] Vandal-Resistant Pressure Compensating Male Aerator
___-18M	1.5 GPM [5.7 L] Vandal-Resistant Pressure Compensating Male Laminar Flow
___-19F	1.5 GPM [5.7 L] Anti-Microbial Pressure Compensating Female Laminar Flow Outlet
___-21F	1.0 GPM [3.8L] Pressure Compensating Female Laminar Flow Outlet
___-22F	1.0 GPM [3.8L] Vandal-Resistant Pressure Compensating Female Laminar Flow Outlet
___-23F	1.5 GPM [5.7L] Pressure Compensating Female Aerator
___-24M	0.35 GPM [1.3 L] Pressure Compensating Male Spray Outlet
___-25M	0.35 GPM [1.3 L] Vandal-Resistant Pressure Compensating Male Spray Outlet

ZURN INDUSTRIES, LLC ♦ COMMERCIAL BRASS OPERATION ♦ 2640 SOUTH WORK STREET ♦ FALCONER NY 14733

Phone: 1-800-997-3876 ♦ Fax: 1-919-775-3541 ♦ www.zurn.com

In Canada: ZURN INDUSTRIES LIMITED ♦ 3544 Nashua Drive ♦ Mississauga, Ontario L4V1L2 ♦ Phone: 905/405-8272 Fax: 905/405-1292

Rev. B

Date: 3/28/11

C.N. No. 127535

Dwg. No. 92991

Product No. Z81101-XL