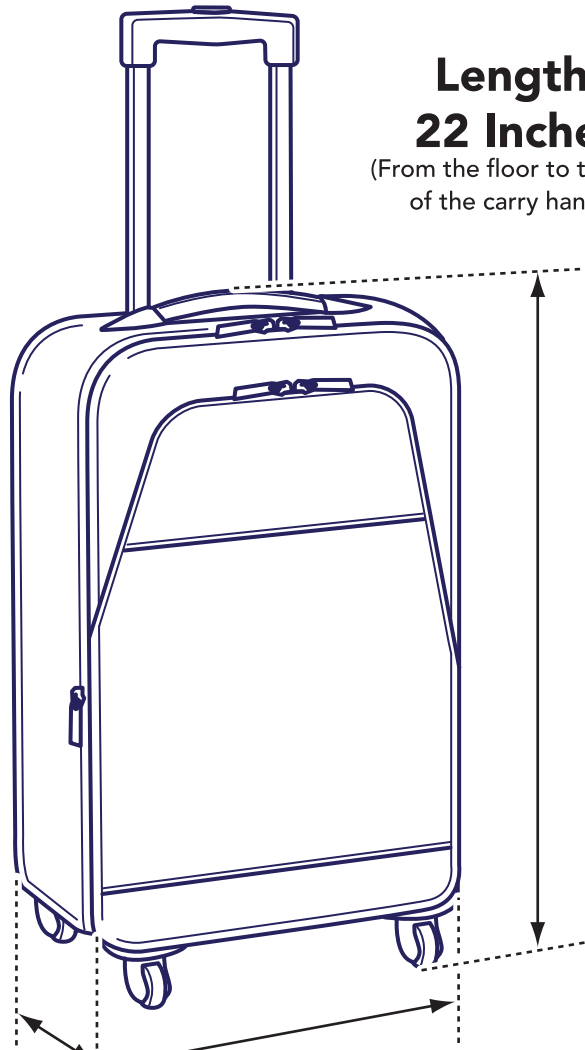


How the Airlines Measure A Bag

Carry On Dimensions 22 x 14 x 9



**Length
22 Inches**
(From the floor to the top
of the carry handle)

**Height
9 Inches**
(Between the two
widest points)

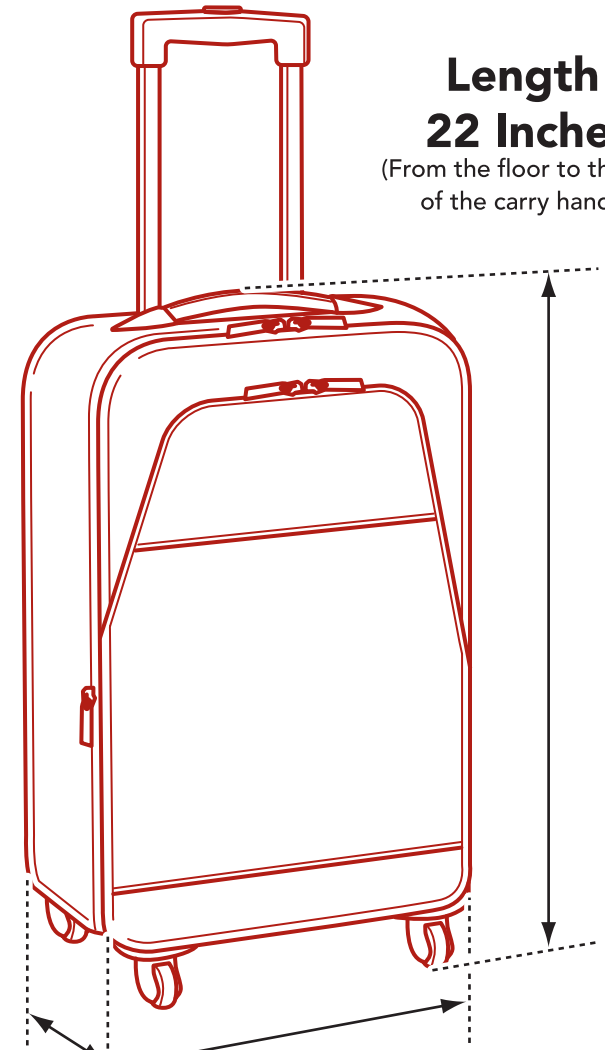
Width 14 Inches
(Between the two widest points)

Total Of 45 Dimensional Inches (Length + Width + Height)



How Antler Measures A Bag

Carry On Dimensions 22 x 14 x 9



**Length
22 Inches**
(From the floor to the top
of the carry handle)

**Height
9 Inches**
(Between the two
widest points)

Width 14 Inches
(Between the two widest points)

Total Of 45 Dimensional Inches (Length + Width + Height)

