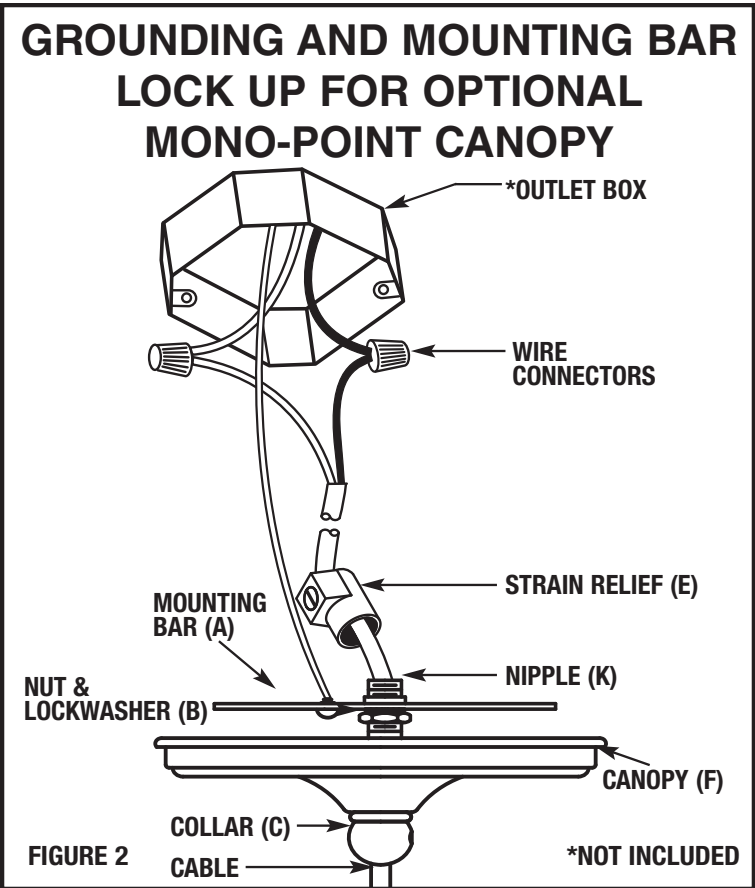
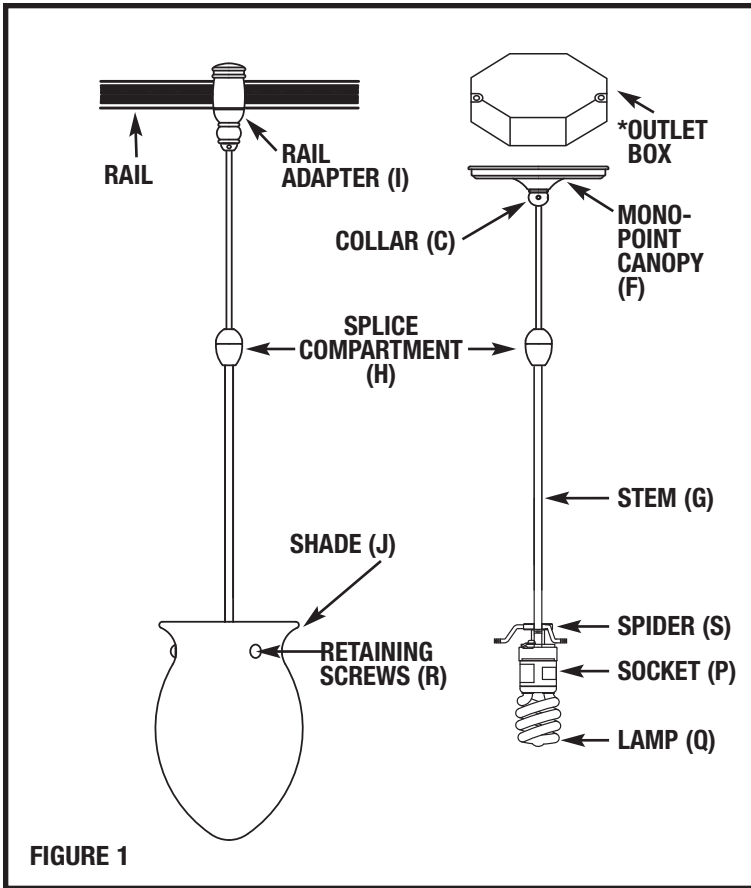


INSTALLATION AND SAFETY INSTRUCTIONS



IMPORTANT SAFETY INSTRUCTIONS

- Be sure the electricity to the system you are working on is turned off; either the fuse removed or the circuit breaker set at off.
- For use with the 120V Transitions track series by Sea Gull Lighting.
- Caution – To reduce the risk of burn during relamping remove from the track before relamping.
- If you are unclear as to how to proceed, contact a qualified electrician.
- Minimum distance from the front of the lamp to combustible surfaces is 8".
- Make sure all connections are tight.
- Turn off and allow to cool before replacing lamp.
- Save these instructions.

NOTE: This pendant can be hung either from a Transitions Series rail (not supplied) or from the supplied canopy. Follow the instructions for the appropriate mounting method.



AMBIANCE®
LIGHTING SYSTEMS

LR-139

062408

www.SeaGullLighting.com

ASSEMBLING PENDANT/SHORTENING PENDANT (Fig. 1) LR-139

1. Determine length of pendant and shorten cable from the splice compartment (H). When using as a mono-point be sure to add 5" for electrical connections.
2. Unthread splice compartment (H). Set top half of splice compartment (H) and strain relief collar at desired location. **NOTE** Strain relief collar is threaded and should be threaded up and down cable. Be sure 1/4" of cable jacket is protruding out of strain relief collar. Secure in place by tightening the two set screws.
3. Make connections between socket leads and pendant cable using wire nuts inside the splice compartment (H).
 - A. Black to Black
 - B. White to White
 - C. Ground to Ground
 Make sure no wires are left exposed and carefully tuck wire nuts into bottom of splice compartment (H).
4. Close splice compartment (H) by threading the two halves together.
5. Install lamp (Q) into socket (P) by twisting into place (Fig 4).
6. Place shade (J) onto pendant by aligning shade openings with arms on spider (S) and threading retaining screws (R) through shade (J) onto arms of spider (S).

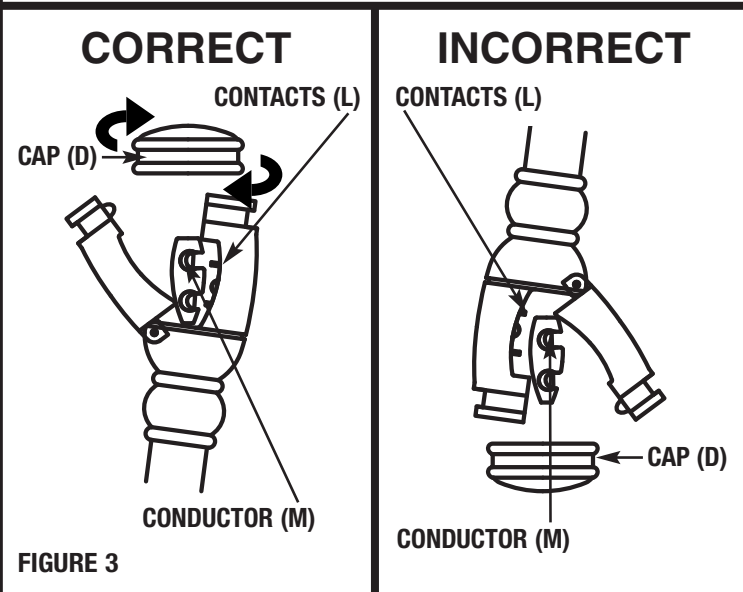
FOR MONO-POINT INSTALLATION (Fig. 2)

1. Remove rail adapter (I) by cutting wire just below rail adapter (I).
2. Slide collar (C), threaded nipple (K), canopy (F), hex nut (B), and mounting bar (A) over cable (in that order).
3. Install strain relief (E). Tighten strain relief set screws with a flat head screwdriver.
4. Make electrical connections,
 - a. House Black to Fixture Black
 - b. House White to Fixture White
 Take fixture ground wire and house ground wire and wrap around the green grounding screw located on the mounting bar (A). Secure by tightening the green grounding screw. Make sure no wires are left exposed and carefully tuck wire nuts into outlet box.
5. Raise canopy (F) to ceiling and secure by threading collar (C) to nipple (K).

ATTACH PENDANT TO RAIL (Fig. 3)

1. Unthread cap (D) from rail adapter (I).
2. Making sure contacts (L) will align with conductors (M) on rail, set the bottom of the rail adapter (I) to the bottom of the rail and "roll" rail adapter (I) up onto the rail.
3. Close the hinged door of the rail adapter (I) over the rail. Replace cap (D) over the rail adapter (I).

Hg MARK MEANS LAMP CONTAINS MERCURY.
 FOLLOW DISPOSAL LAWS.
 SEE WWW.LAMPRECYCLE.ORG

FIXTURE INSTALLATION**FIXTURES WITH A ONE PIECE LAMP/BALLAST COMBINATION**