

INSTALLATION AND SAFETY INSTRUCTIONS

IMPORTANT SAFETY INSTRUCTIONS

- Be sure the electricity to the system you are working on is turned off; either the fuse removed or the circuit breaker set at off.
- Use of other manufacturers components will void warranty, listing and create a potential safety hazard.
- Keep away from combustible materials.
- If you are unclear as to how to proceed, contact a qualified electrician.
- For use with the 120V Transitions track series by Sea Gull Lighting.
- Rail must be supported no more than 12" from both sides of joiner.
- Minimum distance from the front of the lamp to combustible surfaces is 8".
- Be sure to install the rail system where it can not be shorted out by conductive materials.
- Make sure all connections are tight.
- Save these instructions.

INSTALLATION AND SAFETY INSTRUCTIONS LR-132

STANDOFF INSTALLATION

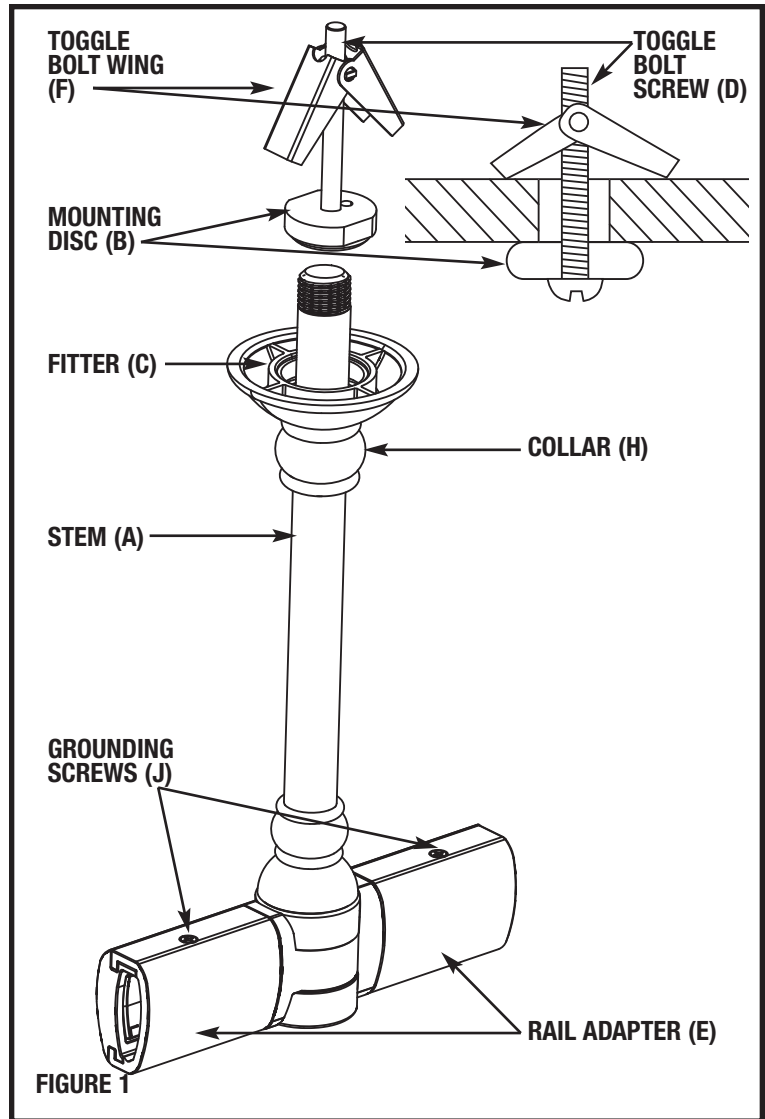
1. Determine location for support / joiner.
2. Unthread mounting disc (B) from fitter (C).
3. On drywall ceiling, drill 5/8" diameter hole for supplied toggle bolt screw (D). Insert toggle bolt screw (D) into mounting disc (B) (see Figure 1). Thread toggle bolt wing (F) onto toggle bolt screw (D). Secure mounting disc (B) to ceiling by inserting toggle bolt wing (F) and toggle bolt screw (D) through ceiling and tightening toggle bolt screw (D) so mounting disc (B) is flush with ceiling.

Note: On other surfaces use proper securing methods (not supplied).

4. Thread fitter (C) onto mounting disc (B). Thread stem (A) onto mounting disc (B).

RAIL INSTALLATION (Refer to Figure 2)

1. Insert rail fully into adapter (E) making sure contacts on adapter are aligned with conductors on rail.
2. Tighten grounding set screws (J) on top of adapter head using a phillips head screwdriver.
3. Repeat for other rail adapter (E).



AMBIANCE[®]
LIGHTING SYSTEMS

LR-132

011408