

# INSTALLATION AND SAFETY INSTRUCTIONS

## IMPORTANT SAFETY INSTRUCTIONS

- Be sure the electricity to the system you are working on is turned off; either the fuse removed or the circuit breaker set at off.
- If you are unclear as to how to proceed, contact a qualified electrician.
- For use with the 120V Transitions rail series by Sea Gull Lighting.
- Use of other manufacturers components will void warranty, listing, and create a potential safety hazard.
- Be sure to install the rail system where it can not be shorted out by conductive materials.
- Make sure all connections are tight.
- Caution–Risk of fire. Keep away from combustible materials.
- When bending rail, do not bend rail tighter than a 12" radius.
- Save these instructions.

## TO ADD OPTIONAL STEM EXTENSIONS

1. Use a phillips head screw driver to remove screw from swivel joint (D). Remove swivel joint (D) so wires are not obstructed.
2. Remove mounting bar (A), nut & lockwasher (B), canopy (E), and nipple (J) from wires.
3. Unthread power feed adapter from stem (L).
4. Thread stem extension (not supplied) into power feed adapter (F).
5. Thread stem (L) into stem extension. Replace nipple (J), canopy (E), nut & lockwasher (B), and mounting bar (A) on wires. Tuck wires into swivel joint (D) and reassemble swivel joint (D).

## ASSEMBLY

1. Attach mounting bar (A) to outlet box using outlet box screws (not supplied).
2. Make wire connections with wire nuts or other UL recognized wiring device. White power feed wire to white house supply wire. Black power feed wire to black house supply wire. Wrap the house ground wire around the green grounding screw (K) on the mounting bar (A) and secure by tightening the green grounding screw (K). Make sure no wires are left exposed and carefully tuck wires into outlet box.
3. Slide canopy (E) over outlet box and secure by threading retaining ring (C) to canopy (E).
4. Loosen screw on swivel joint (D) and adjust power feed so it hangs perpendicular to the floor. Tighten screw on swivel joint (D) to set in place. We recommend using a level to set power feed properly.
5. Unthread cap (H) from power feed adapter (I). Install rail into rail adapters so conductors (F) face contacts (G) of power feed (see Fig 2). **\*Please make sure contacts (G) fit into the rail conductors (F) properly.** NOTE: If power feed or support adapters are not able to close around rail, turn rail around so rail fits properly (see fig. 2).
6. Close the hinged side of power feed adapter over rail. Use a phillips head screw driver to tighten ground screw (located on power feed adapter (I)) into rail. Thread cap (H) back onto power feed adapter (I).

## GROUNDING AND MOUNTING BAR LOCK UP FOR POWER FEED

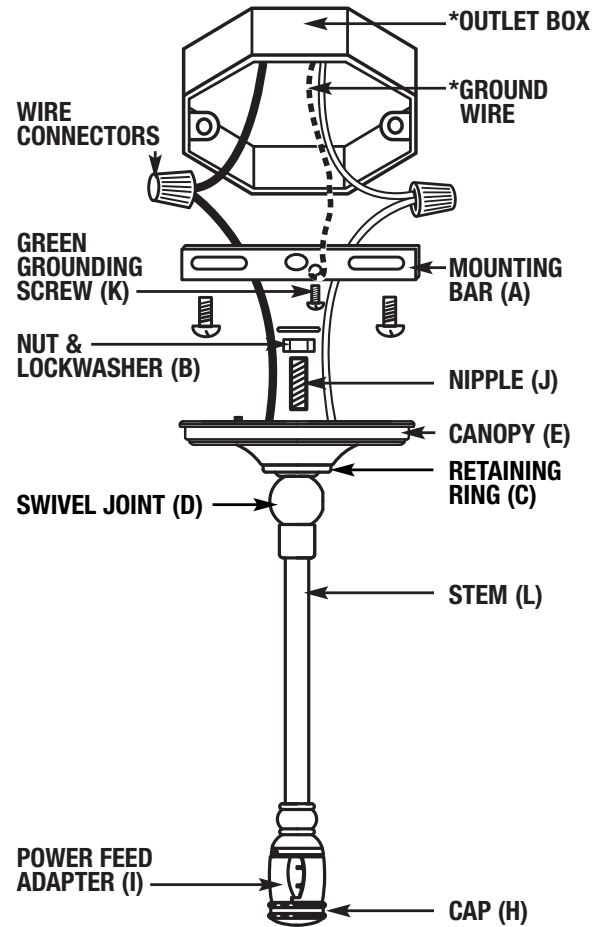
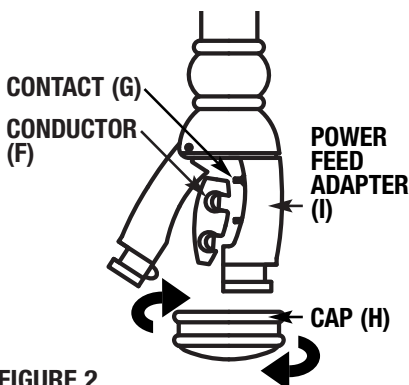


FIGURE 1

\*NOT INCLUDED

## RAIL INSTALLATION

### CORRECT



### INCORRECT

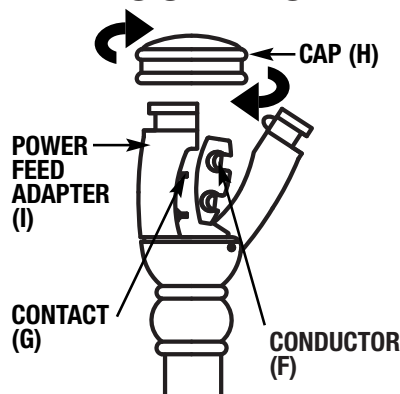


FIGURE 2



**LR-135**  
011108