

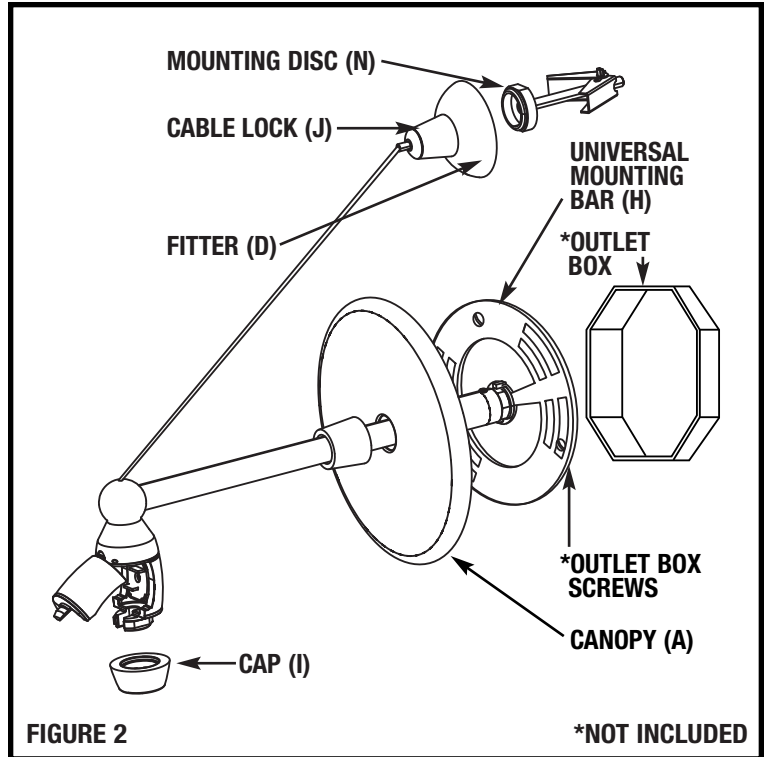
INSTALLATION AND SAFETY INSTRUCTIONS

IMPORTANT SAFETY INSTRUCTIONS

- Be sure the electricity to the system you are working on is turned off; either the fuse removed or the circuit breaker set at off.
- If you are unclear as to how to proceed, contact a qualified electrician.
- For use with the 120V Transitions rail series by Sea Gull Lighting.
- Use of other manufacturers components will void warranty, listing, and create a potential safety hazard.
- Be sure to install the rail system where it can not be shorted out by conductive materials.
- Make sure all connections are tight.
- Caution – risk of fire. Keep away from combustible materials.
- Save these instructions.

AIRCRAFT CABLE ASSEMBLY (Fig. 1)

This support comes with 5 feet of field cuttable aircraft cable. To shorten the cable:
Pull aircraft cable (H) through fitter (D) until you reach desired length. Press cable lock (J) to feed cable back through if necessary. Feed excess cable through hole in mounting disc (N), after mounting disc (N) is installed to wall.



TO ADD OPTIONAL STEM EXTENSIONS (UP TO 30" MAX)

1. Unthread stem (B) from nipple on mounting bar (H).
2. Pull power feed supply wires through stem extensions (not supplied).
3. Thread stem extension into stem (B).
4. Thread mounting bar nipple into stem extension.

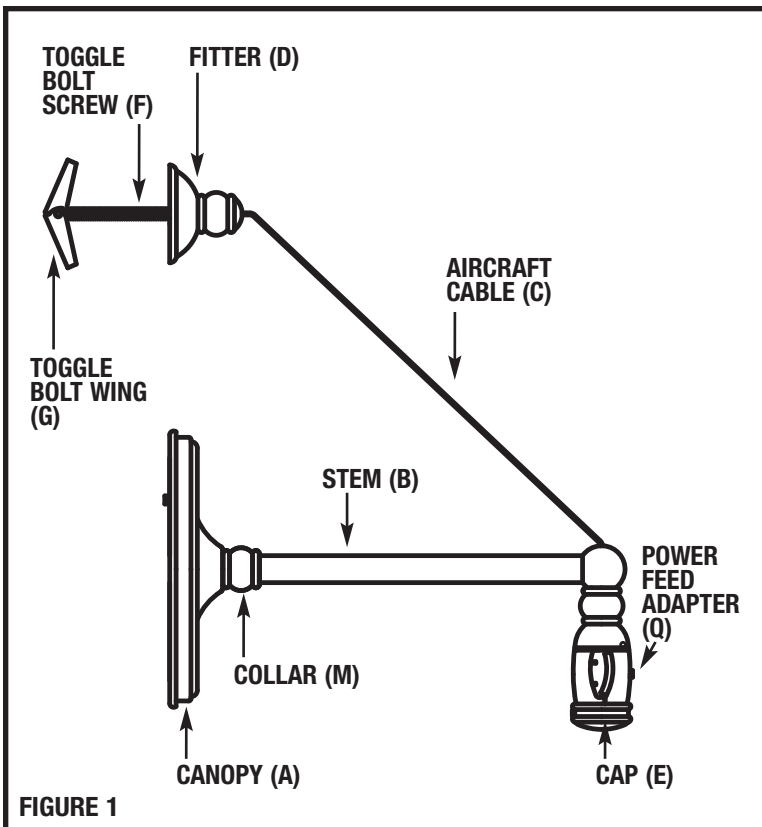


FIGURE 1



AMBIANCE[®]
LIGHTING SYSTEMS

LR-131

051208

www.SeaGullLighting.com

STEP 1:

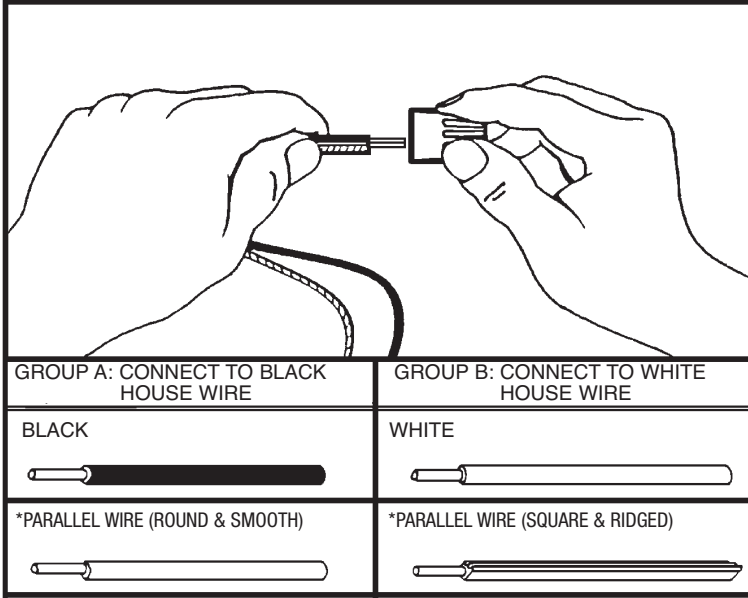
Unthread collar (M). Slide collar (M) and canopy (A) to front of power feed.

STEP 2:

Using outlet box screws (not supplied) fasten universal mounting bar (H) to outlet box through slots in universal mounting bar (H).

STEP 3:

A. Take note of the color of the wire(s) on your fixture. Identify which group your fixture wire(s) falls into and connect the wires according to the directions below:



***Note:** When parallel wire is used, the tracer wire is square shaped or ridged and less tracer wire is round in shape or smooth. (Seen best when viewed from wire end.) To separate wires, grasp the ends of each wire and pull apart.

- B. Take your fixture wire(s) from group A and place evenly against the black wire from the outlet box. **DO NOT** twist wires together before using wire connectors.
- C. Fit a wire connector (not supplied) over the wires and thread the connector clockwise until you feel a firm resistance.
- D. Gently try to remove the wires from the connector. If you can pull the wires out of the connector, carefully re-do steps B and C, as above and check again for a firm connection.
- E. Connect the fixture wire from group B to the white wire from the outlet box in the same manner.

STEP 4:

GROUNDING INSTRUCTIONS: The green grounding screw is to be inserted into the hole with two raised dimples provided on the universal mounting bar (H). Wrap the ground wire from the fixture (if supplied) and the ground wire from the outlet box (bare metal or green insulated wire) around the green grounding screw on the universal mounting bar (H) and tighten green grounding screw to secure. If uninsulated wire is on the universal mounting bar (H), connect the ground wire from the fixture (if supplied) and the outlet box to it using a small wire connector (not supplied).

NEVER CONNECT GROUND WIRE TO BLACK OR WHITE POWER SUPPLY WIRES.

STEP 1:

Make sure no bare wires can be seen outside wire connectors. After wires are connected, tuck them carefully inside outlet box. Push the canopy (A) firmly over the outlet box. Thread collar (M) to nipple on mounting bar (H).

FINAL INSTALLATION (REFER TO FIG. 2 & 3)

1. Choose desired location for the fitter (D).
2. In drywall, drill 5/8" diameter hole for supplied toggle bolt screw (F). Insert toggle bolt screw (F) into mounting disc (N). Thread toggle bolt wing (G) onto toggle bolt screw (F). Insert toggle bolt screw (F) and wing (G) through drilled hole so mounting disc (N) is flush against the wall. Tighten toggle bolt screw (F) so mounting disc (N) is secured to wall. On other surfaces use proper securing method (not supplied).
3. Insert excess aircraft cable (C) into hole on mounting disc. Thread fitter (D) onto mounting disc (N).
4. Unthread cap (I) from power feed adapter (Q).
5. Raise rail until it sits flush in power feed (Fig. 3). Make sure contacts (L) and conductors (K) make secure contact (see fig. 3). Secure rail in place by closing hinged side of power feed adapter (Q) over rail and threading adapter cap (I) onto power feed adapter (Q).
6. Use phillips head screw driver to tighten ground screw located on bottom of power feed adapter (Q) into rail.
7. Replace cap (I) onto power feed adapter (Q).

