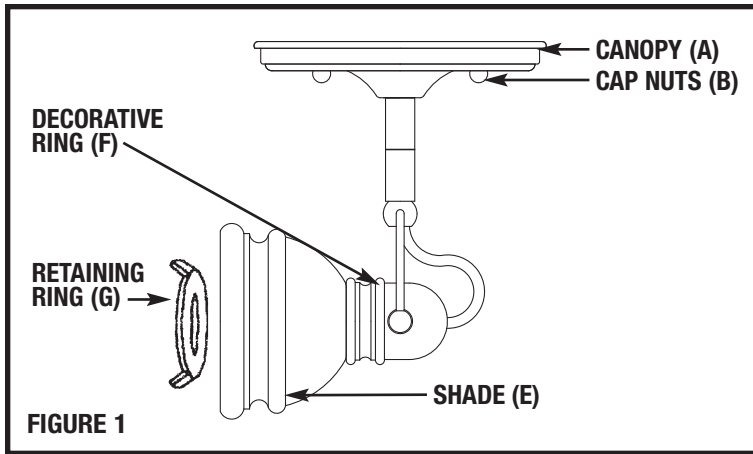
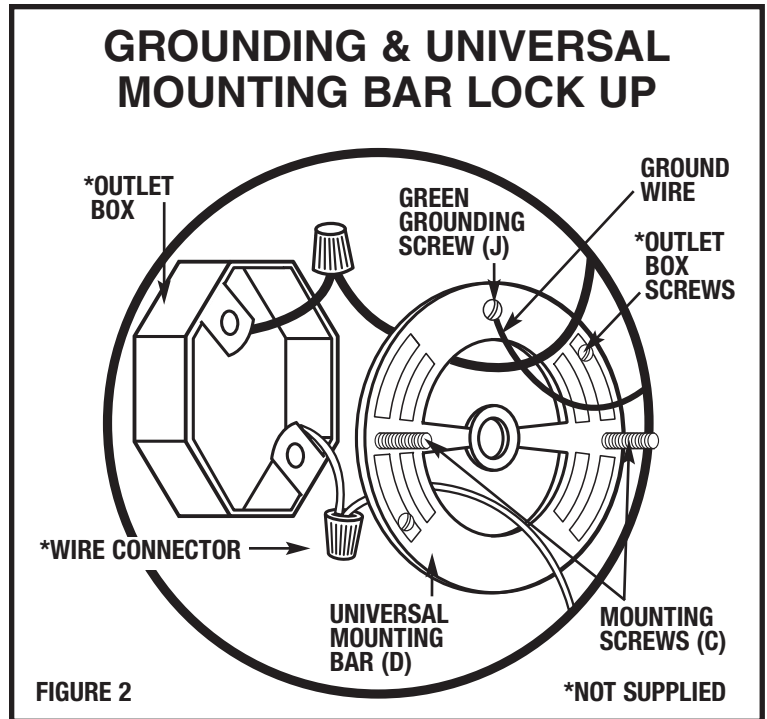


INSTALLATION AND SAFETY INSTRUCTIONS



IMPORTANT SAFETY INSTRUCTIONS

- Be sure the electricity to the system you are working on is turned off; either the fuse removed or the circuit breaker set at off.
- Use of other manufacturers components will void warranty, listing, and create a potential safety hazard.
- If you are unclear as to how to proceed, contact a qualified electrician.
- Minimum distance from the front of the lamp to combustible surfaces is 8".
- Make sure all connections are tight.
- Dimming halogen lamps greatly reduces lamp life.
- To reduce the risk of FIRE or INJURY TO PERSONS: Turn off and allow to cool before replacing lamp.
- Lamp gets HOT quickly! Contact switch only when turning on.
- Do not touch hot lens, guard, or enclosure.
- Do not touch the lamp at any time. Use a soft cloth. Oil from skin may damage lamp.
- Do not operate the luminaire fitting with a missing or damaged shield.
- Save these instructions.



AMBIANCE[®]
LIGHTING SYSTEMS

LR-148

011408

www.SeaGullLighting.com

STEP 1:

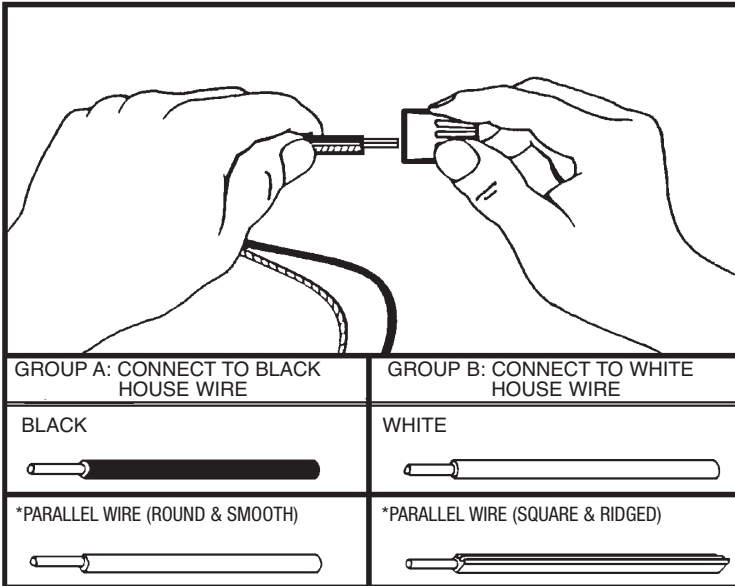
Insert mounting screws (C) in threaded holes of universal mounting bar (D). Run screws all the way down to the heads.

STEP 2:

Place universal mounting bar (D) against outlet box (not supplied) and secure in place using outlet box screws (not supplied).

STEP 3:

A. Take note of the color of the wire(s) on your fixture. Identify which group your fixture wire(s) falls into and connect the wires according to the directions below:



*NOTE: When parallel wire is used, the tracer wire is square shaped or ridged, and the less tracer wire is round in shape or smooth. (Seen best when viewed from wire end.) To separate wires, grasp the ends of each wire and pull apart.

B. Take your fixture wire(s) from group A and place evenly against the black wire from the outlet box. **Do Not** twist wires together before using wire connectors.

C. Fit a wire connector (not supplied) over the wires and thread the connector clockwise until you feel a firm resistance.

D. Try to gently pull the wires out of the wire connector. If you can remove the wires, carefully re-do steps B and C, as above, and check again for a firm connection.

E. Connect the fixture wire from group B to the white wire from the outlet box in the same manner.

STEP 4:

GROUNDING INSTRUCTIONS: The green grounding screw (J) is to be inserted into the hole with two raised dimples provided on the universal mounting bar (D). Wrap the ground wire from the outlet box (bare metal or green insulated wire) around the green grounding screw (J) on the universal mounting bar (D). If uninsulated ground wire is on the universal mounting bar (D), connect the ground wire from the fixture (if supplied) and the outlet box to it using a small wire connector (not supplied).

NEVER CONNECT GROUND WIRE TO BLACK OR WHITE POWER SUPPLY WIRES.

FINAL INSTALLATION

STEP 1:

After wires are connected, tuck them carefully inside the outlet box. Position canopy (A) over mounting screws (C) and secure in place with cap nuts (B).

STEP 2:

Remove retaining ring (G) from socket.

STEP 3:

Place decorative ring (F) and shade (E) onto socket and secure by threading retaining ring (G) onto socket.

STEP 4:

Install lamp. Thread supplied lamp enclosure over lamp.