

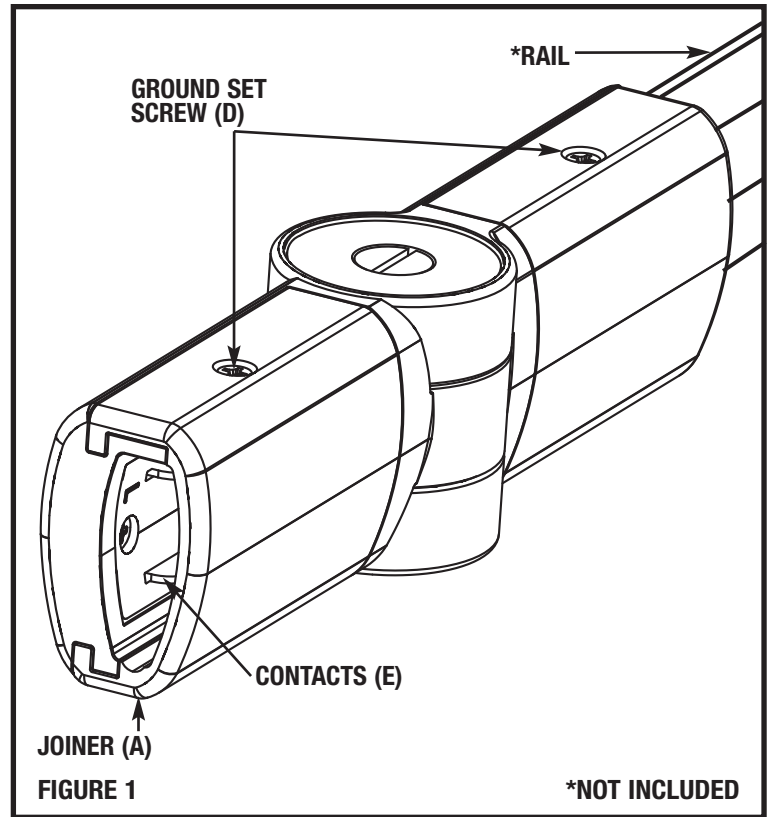
# INSTALLATION AND SAFETY INSTRUCTIONS

## IMPORTANT SAFETY INSTRUCTIONS

- Be sure the electricity to the system you are working on is turned off; either the fuse removed or the circuit breaker set at off.
- If you are unclear as to how to proceed, contact a qualified electrician.
- For use with the 120V Transitions rail series by Sea Gull Lighting.
- Use of other manufacturers components will void warranty, listing, and create a potential safety hazard.
- Be sure to install the rail system where it can not be shorted out by conductive materials.
- Make sure all connections are tight.
- When only one end of the intercept connector is connected to the rail, do not leave the other end live.
- Rail must be supported within 3" on either side of joiner.
- Save these instructions.

## INSTALLATION- ELECTRICAL JOINER

1. Install rail fully into joiner (A) making sure contacts (E) are aligned with conductors on rail. After rail is placed within joiner, use phillips head screw driver to tighten ground set screw (D) located on top of joiner (A).
2. Repeat for opposing end of connector.
3. Please be sure to support rail within 3" on either side of joiner (A).



**LR-137**

010408