

WARNING: FOR FIXTURES PROVIDED WITH 75° C. OR 90° C. SUPPLY WIRE WARNING ONLY (THESE WARNINGS ARE PROVIDED ON THE U.L. LABEL AND ON THE FIXTURE CARTON).

WARNING: RISK OF FIRE. MOST DWELLINGS BUILT BEFORE 1985 HAVE SUPPLY WIRE RATED 60° C. CONSULT A QUALIFIED ELECTRICIAN BEFORE INSTALLING.

BY PASSING THE SOCKET BRACKET STOP MAY CAUSE THE LIGHT TO CYCLE ON AND OFF OR NUISANCE TRIP.

1179 AIR TIGHT HOUSING

(1) INSTALLING FIXTURE TO CEILING

Joist type ceiling: Extend bar hangers to fit between joists. Position fixture temporarily by hammering nail-in tabs into joists (see Drawing B), then secure permanently with nails. Hangers should be level with bottom of joists.

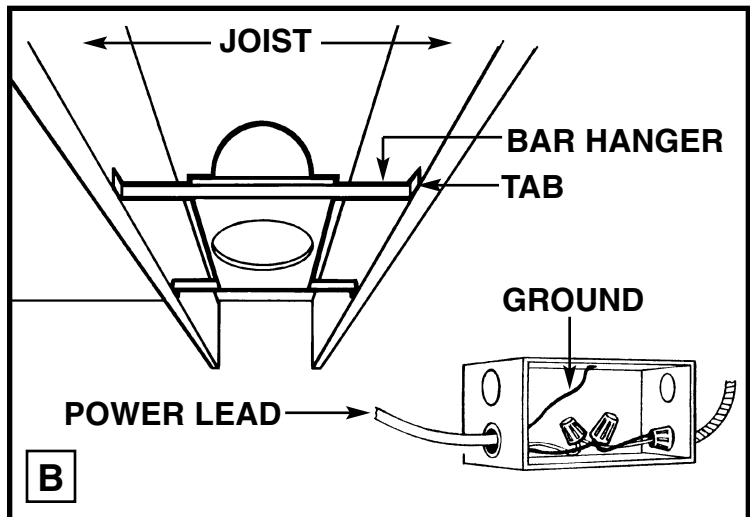
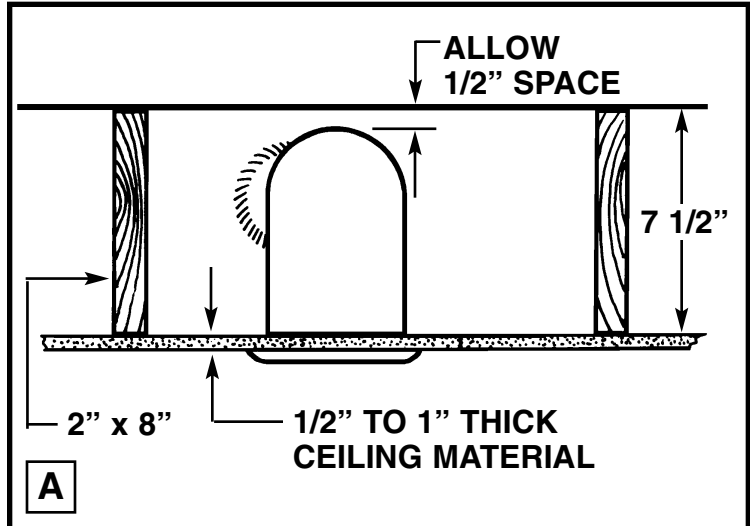
(2) ELECTRICAL CONNECTION

Junction box contains two wires, a black (hot) and white (neutral) which must be spliced to the house wires. **MAKE SURE TO SPLICE WHITE TO WHITE AND COLORED OR BLACK TO BLACK.** After splicing has been completed, insert wires carefully into junction box. Connect green ground wire to green grounding pigtail in junction box (see Drawing B). Replace cover.

(3) CUTTING A HOLE

Locate the center of proposed opening on your tile or ceiling material and mark it. Use the template provided to draw a 4 1/4" dia. circle around the center point. Cut along the circular line.

CAUTION: SEE WARNING INSTRUCTIONS ON BACK BEFORE PROCEEDING



INSTALLATION INSTRUCTIONS (CONTINUED) HC-1035

(4) INSTALL TRIM ASSEMBLIES

Install trim by one of the following methods:

TORSION SPRINGS: Squeeze the arms together and insert them into the slotted tabs on the inside of the housing. Push upward fully so springs will hold trim in place (see Diagram 1).

COIL SPRINGS: You must bend the slotted tabs back up out of the way (just push upward with finger). Then hook the coil springs into the slots cut into the sides of the housing (see Diagram 2).

PRESSURE SPRINGS: Bend slotted tabs up and insert trim into housing. Push upward fully and pressure springs will hold trim in place (see Diagram 3).

TO INSTALL LAMPS: Select proper lamp (see lamp maximum wattage label in housing). Do not exceed maximum wattage lamp shown for each trim.

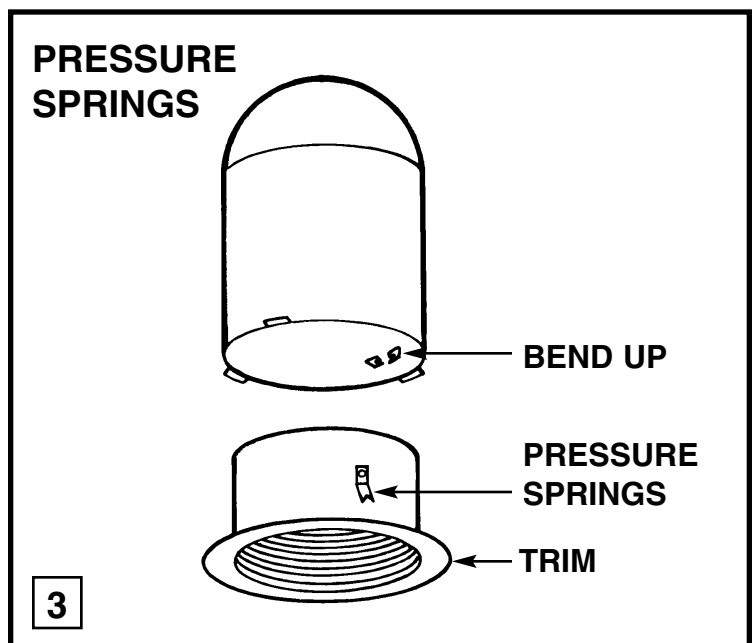
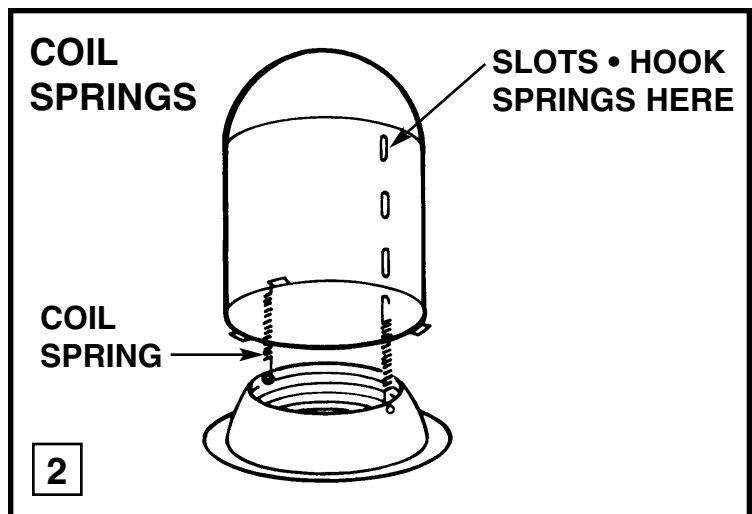
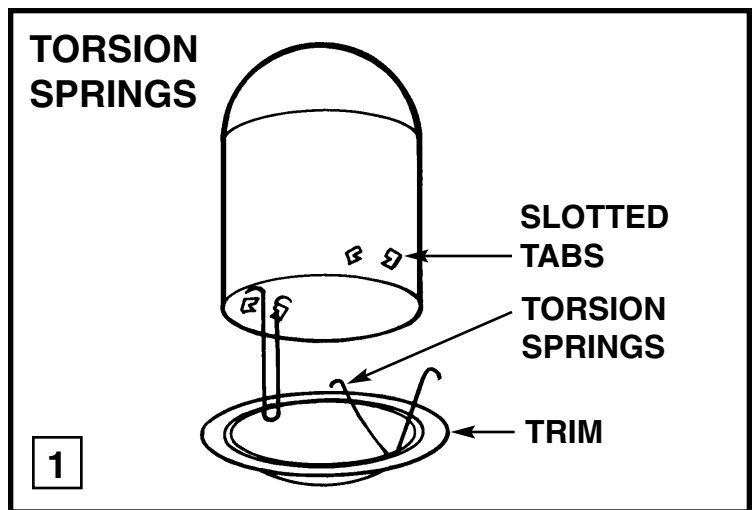
FOR EYEBALL TRIMS: Before installing trim, remove socket plate from housing by loosening wing nut. Unfasten socket from socket plate and snap into hole provided in top of trim.

CAUTION!

THE FOLLOWING RULES MUST BE ADHERED TO WHEN INSTALLING LIGHT FIXTURES. FAILURE TO COMPLY WITH THESE REQUIREMENTS COULD LEAD TO AN ELECTRICAL SHOCK OR FIRE WHICH COULD BE INJURIOUS OR EVEN FATAL.

MAKE CERTAIN:

- 1) TO DISCONNECT POWER AT MAIN FUSE BOX BEFORE INSTALLING FIXTURE.
- 2) THE GROUND WIRE (BARE OR GREEN INSULATED WIRE) IS NOT CONNECTED TO CURRENT CARRYING SUPPLY WIRES.
- 3) NO BARE WIRES ARE EXPOSED OUTSIDE OF CONNECTORS WHEN CONNECTING CURRENT CARRYING FIXTURE WIRES TO CURRENT CARRYING HOUSE WIRES.
- 4) THE INSULATION ON FIXTURE WIRES HAS NOT BEEN DAMAGED DURING INSTALLATION.
- 5) NO ROUGH OR SHARP EDGES OF ANY SURFACE ARE IN CONTACT WITH WIRES.
- 6) FIXTURE SUPPLY WIRES ARE CONNECTED TO PROPER HOUSE SUPPLY WIRES.
- 7) TO USE LIGHT BULBS WITH WATTAGES NO GREATER THAN SPECIFIED FOR THE FIXTURE.



IF YOU HAVE ANY DOUBTS ABOUT HOW TO INSTALL A LIGHT FIXTURE OR IT FAILS TO OPERATE PROPERLY, CONTACT A LOCAL LICENSED ELECTRICIAN.