

INSTALLATION AND SAFETY INSTRUCTIONS

FOR YOUR SAFETY

HC-203

WARNING: Be sure the electricity to the wires you are working on is shut off; either the fuse removed or the circuit breaker off.

WARNING-RISK OF SHOCK. 24V SYSTEM NOT SUITABLE FOR OUTDOOR USE.

1. Secure conduit connector (not supplied) to housing.
2. Strip 1/4" from end of power source wires and feed wire into housing through conduit connector. Secure wire in conduit connector by tightening screw(s).
3. Secure housing to surface with screw.
4. Place striped ends of wire into terminal block making sure bare wires cannot be seen outside the terminal block. Tighten down on terminal block screws to secure in place.
5. For 9031 hardwire kit, feed fixture wires through sleeving, to provide extended wire protection between track and cover, for 4006 or 4008 fixtures.
6. Secure track to surface with double face tape (if applicable) making sure end of track is in notch of housing. Place cable into track (if applicable). Snap cover onto track (if applicable).
7. Strip 1/4" from end of cable and place cable end into terminal block making sure no bare wires can be seen outside the terminal block. Tighten down on terminal block screws.
8. Snap cover onto housing.

011100

INSTALLATION AND SAFETY INSTRUCTIONS

FOR YOUR SAFETY

HC-203

WARNING: Be sure the electricity to the wires you are working on is shut off; either the fuse removed or the circuit breaker off.

WARNING-RISK OF SHOCK. 24V SYSTEM NOT SUITABLE FOR OUTDOOR USE.

1. Secure conduit connector (not supplied) to housing.
2. Strip 1/4" from end of power source wires and feed wire into housing through conduit connector. Secure wire in conduit connector by tightening screw(s).
3. Secure housing to surface with screw.
4. Place striped ends of wire into terminal block making sure bare wires cannot be seen outside the terminal block. Tighten down on terminal block screws to secure in place.
5. For 9031 hardwire kit, feed fixture wires through sleeving, to provide extended wire protection between track and cover, for 4006 or 4008 fixtures.
6. Secure track to surface with double face tape (if applicable) making sure end of track is in notch of housing. Place cable into track (if applicable). Snap cover onto track (if applicable).
7. Strip 1/4" from end of cable and place cable end into terminal block making sure no bare wires can be seen outside the terminal block. Tighten down on terminal block screws.
8. Snap cover onto housing.

011100

INSTALLATION AND SAFETY INSTRUCTIONS

FOR YOUR SAFETY

HC-203

WARNING: Be sure the electricity to the wires you are working on is shut off; either the fuse removed or the circuit breaker off.

WARNING-RISK OF SHOCK. 24V SYSTEM NOT SUITABLE FOR OUTDOOR USE.

1. Secure conduit connector (not supplied) to housing.
2. Strip 1/4" from end of power source wires and feed wire into housing through conduit connector. Secure wire in conduit connector by tightening screw(s).
3. Secure housing to surface with screw.
4. Place striped ends of wire into terminal block making sure bare wires cannot be seen outside the terminal block. Tighten down on terminal block screws to secure in place.
5. For 9031 hardwire kit, feed fixture wires through sleeving, to provide extended wire protection between track and cover, for 4006 or 4008 fixtures.
6. Secure track to surface with double face tape (if applicable) making sure end of track is in notch of housing. Place cable into track (if applicable). Snap cover onto track (if applicable).
7. Strip 1/4" from end of cable and place cable end into terminal block making sure no bare wires can be seen outside the terminal block. Tighten down on terminal block screws.
8. Snap cover onto housing.

011100

INSTALLATION AND SAFETY INSTRUCTIONS

FOR YOUR SAFETY

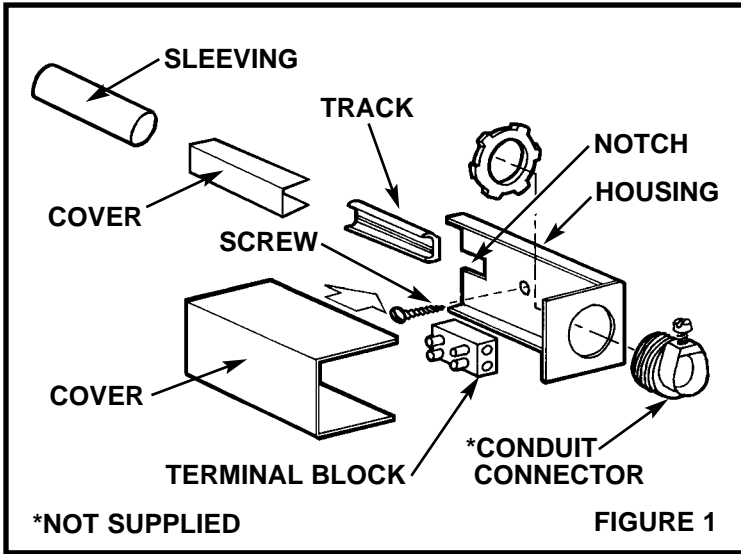
HC-203

WARNING: Be sure the electricity to the wires you are working on is shut off; either the fuse removed or the circuit breaker off.

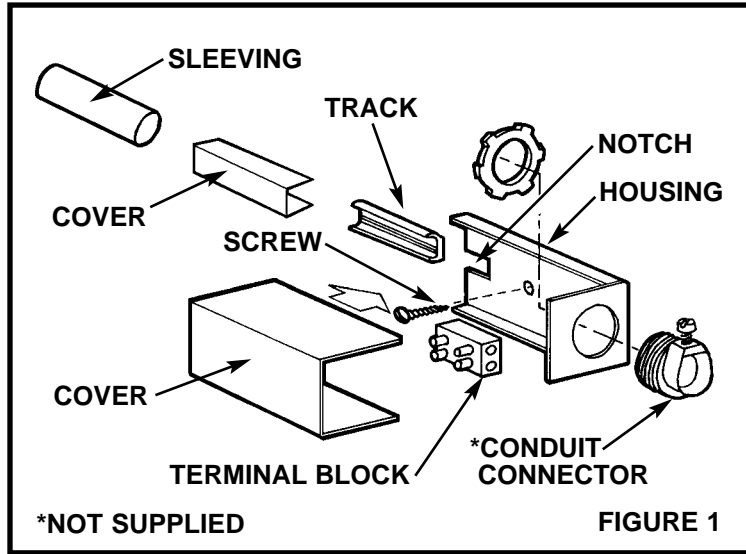
WARNING-RISK OF SHOCK. 24V SYSTEM NOT SUITABLE FOR OUTDOOR USE.

1. Secure conduit connector (not supplied) to housing.
2. Strip 1/4" from end of power source wires and feed wire into housing through conduit connector. Secure wire in conduit connector by tightening screw(s).
3. Secure housing to surface with screw.
4. Place striped ends of wire into terminal block making sure bare wires cannot be seen outside the terminal block. Tighten down on terminal block screws to secure in place.
5. For 9031 hardwire kit, feed fixture wires through sleeving, to provide extended wire protection between track and cover, for 4006 or 4008 fixtures.
6. Secure track to surface with double face tape (if applicable) making sure end of track is in notch of housing. Place cable into track (if applicable). Snap cover onto track (if applicable).
7. Strip 1/4" from end of cable and place cable end into terminal block making sure no bare wires can be seen outside the terminal block. Tighten down on terminal block screws.
8. Snap cover onto housing.

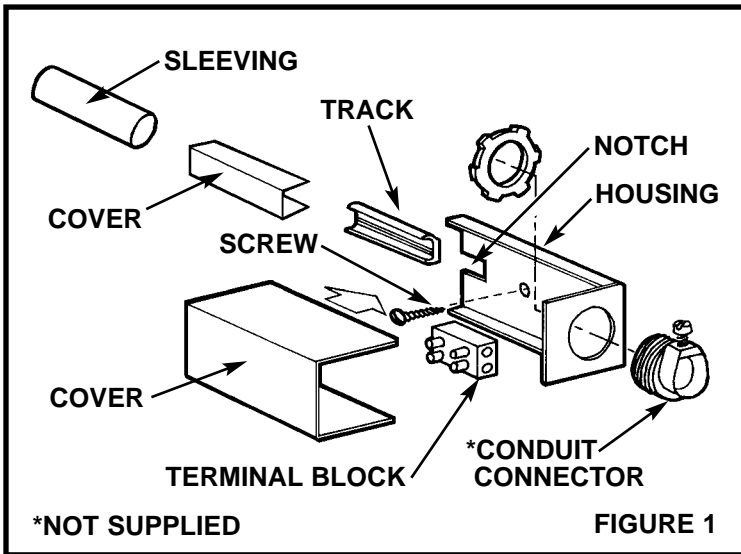
011100



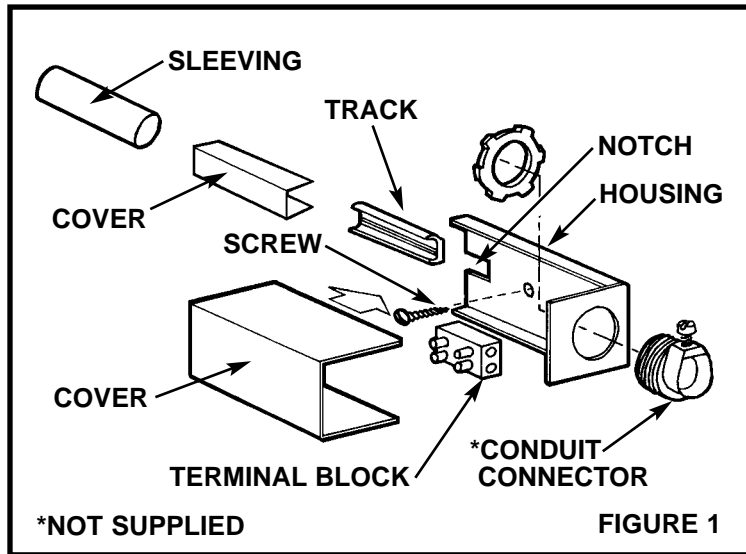
Warning: Use of other manufactures components will void warranty, U.L. listing and create a potential safety hazard.



Warning: Use of other manufactures components will void warranty, U.L. listing and create a potential safety hazard.



Warning: Use of other manufactures components will void warranty, U.L. listing and create a potential safety hazard.



Warning: Use of other manufactures components will void warranty, U.L. listing and create a potential safety hazard.