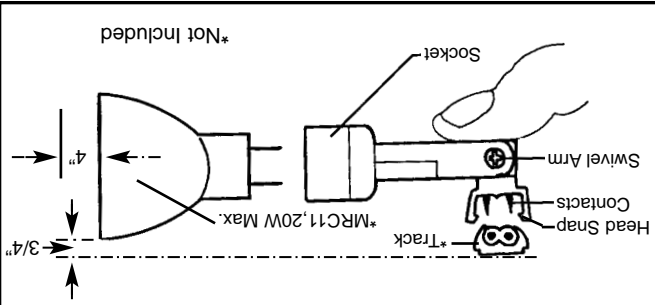


DIMMING HALOGEN LAMPS GREATLY REDUCES LAMP LIFE

WARNING: Use of other manufacturers components will void warranty, U.L. listing and create a potential safety hazard.



NOTE: LOOSEN SCREWS TO ROTATE SHADE IF NECESSARY.

C. Making sure contacts on head are aligned with cable, press head onto the track until both sides of head snap onto the track.

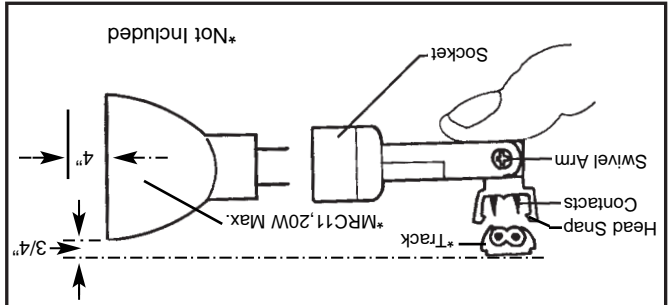
B. Snap (12V,20W-MRC11) lamp into socket.

A. Space Accent lights no closer than 6" apart.

ACCENT LIGHT INSTALLATION (USE ONLY WITH AMBIANCE 105° CABLE)

DIMMING HALOGEN LAMPS GREATLY REDUCES LAMP LIFE

WARNING: Use of other manufacturers components will void warranty, U.L. listing and create a potential safety hazard.



NOTE: LOOSEN SCREWS TO ROTATE SHADE IF NECESSARY.

C. Making sure contacts on head are aligned with cable, press head onto the track until both sides of head snap onto the track.

B. Snap (12V,20W-MRC11) lamp into socket.

A. Space Accent lights no closer than 6" apart.

ACCENT LIGHT INSTALLATION (USE ONLY WITH AMBIANCE 105° CABLE)

INSTALLATION AND SAFETY INSTRUCTIONS

FOR YOUR SAFETY

HC-205

WARNING: Be sure the electricity to the system you are working on is turned off; either the fuse removed or the circuit breaker set at off

WARNING: RISK OF SHOCK, 24V SYSTEM NOT SUITABLE FOR OUTDOOR USE.

CAUTION: RISK OF FIRE. USE ONLY 12V LAMPS WITH 12V SYSTEMS. USE OF 12V LAMPS WITH 24V SYSTEM MAY RESULT IN DAMAGE TO SYSTEM AND SURROUNDING AREA

(USE ONLY WITH AMBIANCE 105° CABLE)

IMPORTANT SAFETY INSTRUCTIONS

1. Bulb gets hot quickly! Turn off and allow to cool to replace bulb.
2. **Do not** remain in light if skin feels warm.
3. **Do not** look directly at lighted bulb.
4. Minimum distance from combustible materials. To front of lamp is 4", from lamp rim is 3/4" (see diagram). Allow clearance not only for shelf but also for items that might be displayed on the shelf.

INSTALLATION AND SAFETY INSTRUCTIONS

FOR YOUR SAFETY

HC-205

WARNING: Be sure the electricity to the system you are working on is turned off; either the fuse removed or the circuit breaker set at off

WARNING: RISK OF SHOCK, 24V SYSTEM NOT SUITABLE FOR OUTDOOR USE.

CAUTION: RISK OF FIRE. USE ONLY 12V LAMPS WITH 12V SYSTEMS. USE OF 12V LAMPS WITH 24V SYSTEM MAY RESULT IN DAMAGE TO SYSTEM AND SURROUNDING AREA

(USE ONLY WITH AMBIANCE 105° CABLE)

IMPORTANT SAFETY INSTRUCTIONS

1. Bulb gets hot quickly! Turn off and allow to cool to replace bulb.
2. **Do not** remain in light if skin feels warm.
3. **Do not** look directly at lighted bulb.
4. Minimum distance from combustible materials. To front of lamp is 4", from lamp rim is 3/4" (see diagram). Allow clearance not only for shelf but also for items that might be displayed on the shelf.