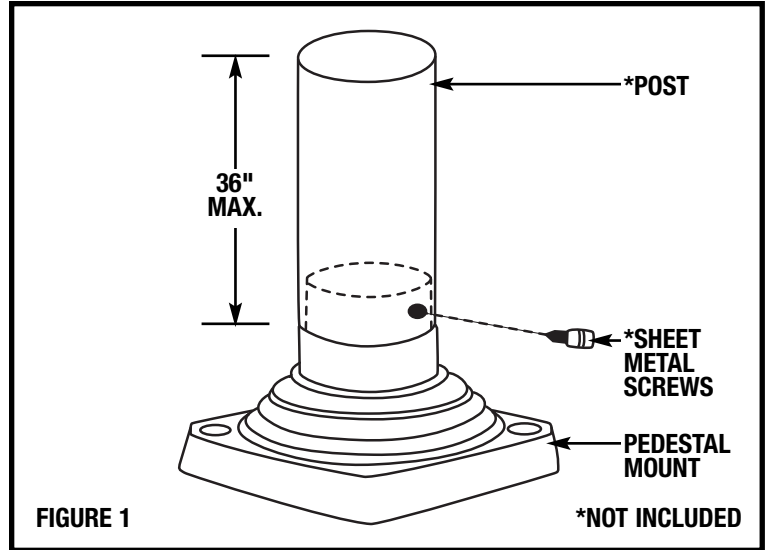


## IMPORTANT SAFETY INSTRUCTIONS

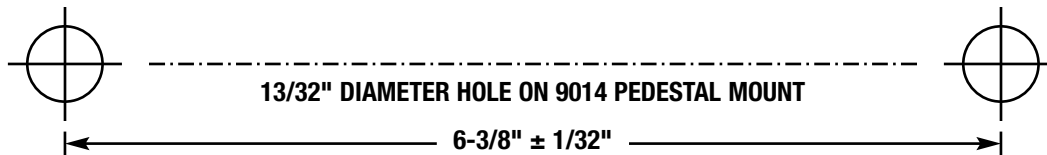
- Be sure the electricity to the system you are working on is turned off; either the fuse removed or the circuit breaker set at off.
- Use of other manufacturers components will void warranty, listing and create a potential safety hazard.
- If you are unclear as to how to proceed, contact a qualified electrician.
- Use pedestal with 36" max. height post. Mounting Hardware is not included.
- Read instructions carefully.
- Save these instructions.

## INSTALLATION

1. Attach pedestal mount adapter to surface with cement anchors or lag screws (not included).
2. Attach post or post lantern to pedestal mount adapter by drilling 3 holes equally spaced around and secure with (3) #8 sheet metal screws (not included).



## TEMPLATE FOR ANCHORS

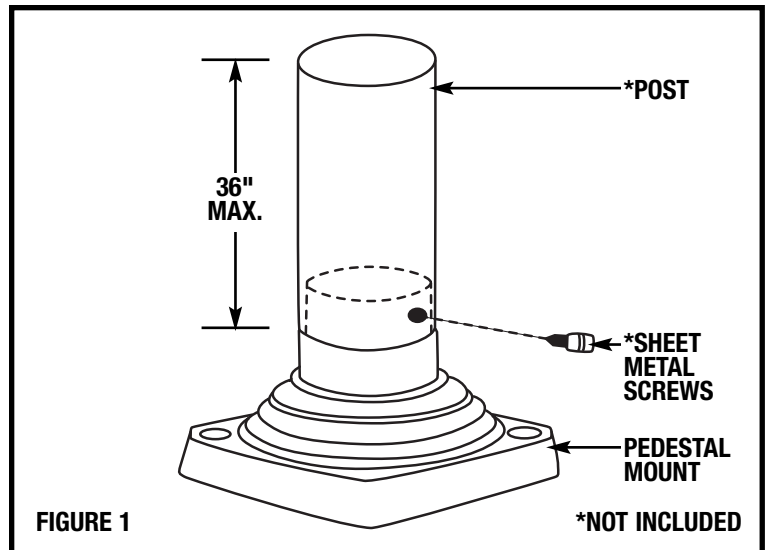


## IMPORTANT SAFETY INSTRUCTIONS

- Be sure the electricity to the system you are working on is turned off; either the fuse removed or the circuit breaker set at off.
- Use of other manufacturers components will void warranty, listing and create a potential safety hazard.
- If you are unclear as to how to proceed, contact a qualified electrician.
- Use pedestal with 36" max. height post. Mounting Hardware is not included.
- Read instructions carefully.
- Save these instructions.

## INSTALLATION

1. Attach pedestal mount adapter to surface with cement anchors or lag screws (not included).
2. Attach post or post lantern to pedestal mount adapter by drilling 3 holes equally spaced around and secure with (3) #8 sheet metal screws (not included).



## TEMPLATE FOR ANCHORS

