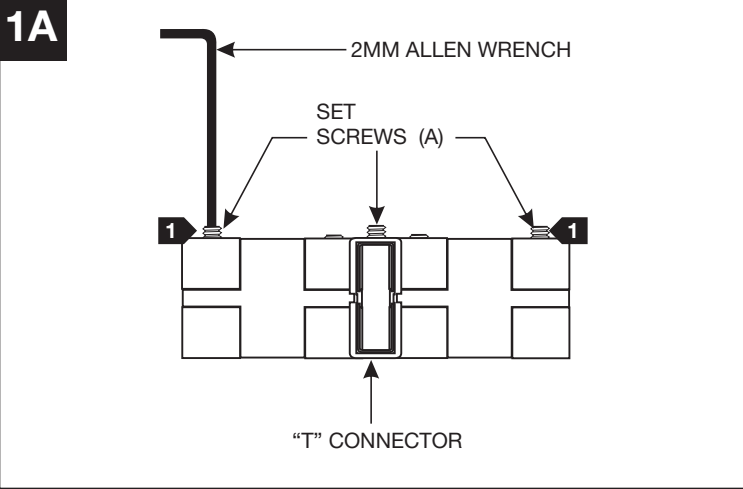


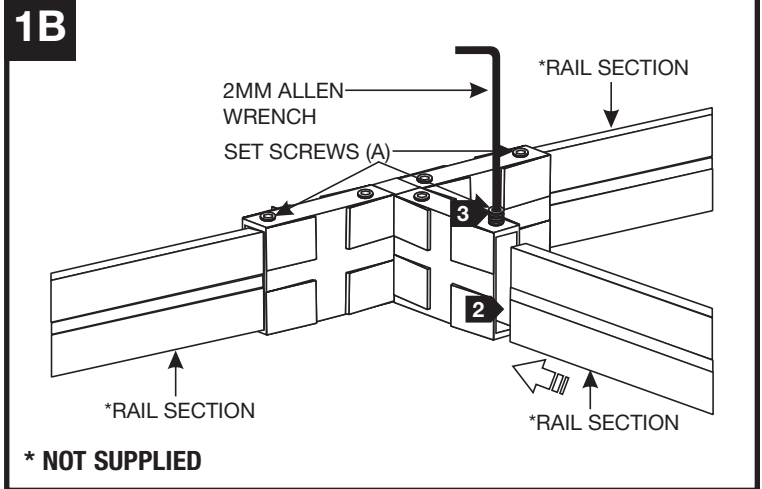
IMPORTANT SAFETY INSTRUCTIONS

- Be sure the electricity to the circuit you are working on is turned off; either the fuse removed or the circuit breaker set at off.
- Use of other manufacturers components will void warranty, listing and create a potential safety hazard.
- This product is suitable for dry locations only.
- This product must be used with the RTx low voltage lighting series only.
- Save these instructions.

CONNECT THE RAIL SECTIONS TOGETHER



- 1** Clear the connector ends by backing out (DO NOT REMOVE) the three set screws (A) with the provided 2MM Allen wrench.



- 2** Insert each rail section completely into each connector end.
- 3** Tighten the set screws (A) with the 2MM Allen wrench.