

## INSTALLATION AND SAFETY INSTRUCTIONS

### FOR YOUR SAFETY

HC-954

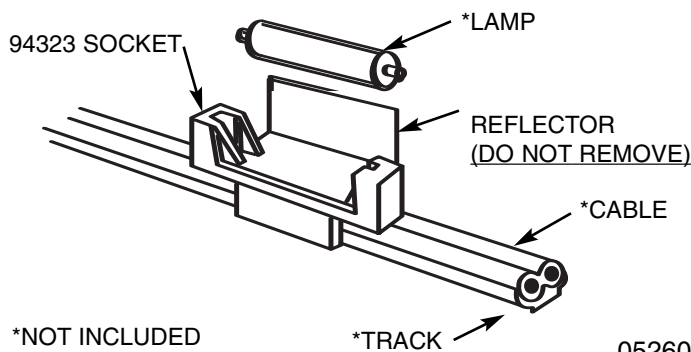
**WARNING:** Be sure the electricity to the system you are working on is turned off; either the fuse removed or the circuit breaker set at off.

**WARNING: RISK OF SHOCK, 24V SYSTEM NOT SUITABLE FOR OUTDOOR USE.**

(USE ONLY WITH AMBIANCE® 105°C CABLE)

#### TO INSTALL 94323 SOCKET

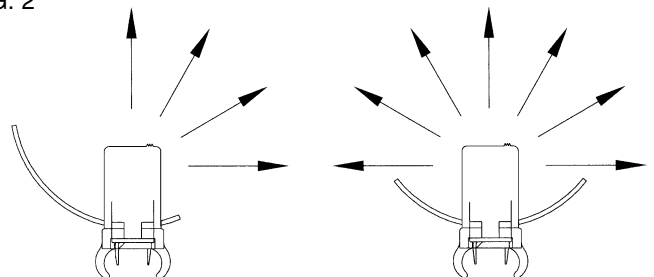
- Determine socket location and spacing, minimum 4" center to center 10w lamps and minimum 2" center to center 5w lamps.
- Press socket straight down onto track and cable until socket snaps into place.
- Install bulb (not included), 10w maximum onto lamp contacts.
- Center of socket must not be closer than 1 1/2" to closed ends (wall surfaces, partitions).



**RISK OF FIRE: DO NOT REMOVE REFLECTOR.**

**CAUTION RISK OF FIRE. PLEASE KEEP AWAY FROM COMBUSTIBLE MATERIALS. 12V LAMPS MUST NOT BE USED IN A 24V SYSTEM. INSTALL CABLE SO THAT CAUTION PRINTED ON CABLE IS VISIBLE AFTER INSTALLATION AND ATTACH THE 24V CAUTION LABELS (SUPPLIED WITH THE 24V TRANSFORMER) ON OR ALONG THE TRACK EVERY 4 FT.**

FIG. 2



NOTE: REFLECTOR CAN BE ROTATED TO ACHIEVE OPTIMAL LIGHT OUTPUT.



**HC-954**  
060106

[www.SeaGullLighting.com](http://www.SeaGullLighting.com)

**Warning: Use of other manufacturers components will void warranty U.L. listing and create a potential safety hazard.**

PATENT PENDING

**Warning: Use of other manufacturers components will void warranty U.L. listing and create a potential safety hazard.**

PATENT PENDING