

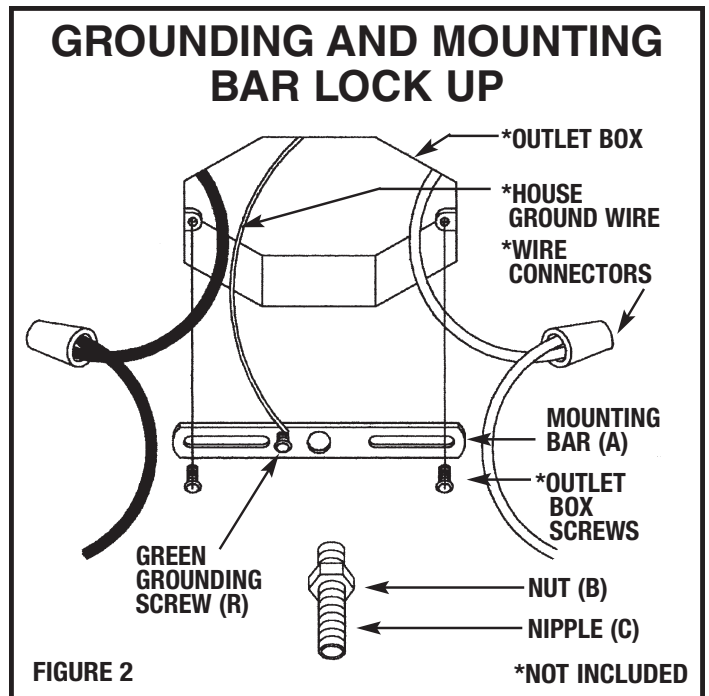
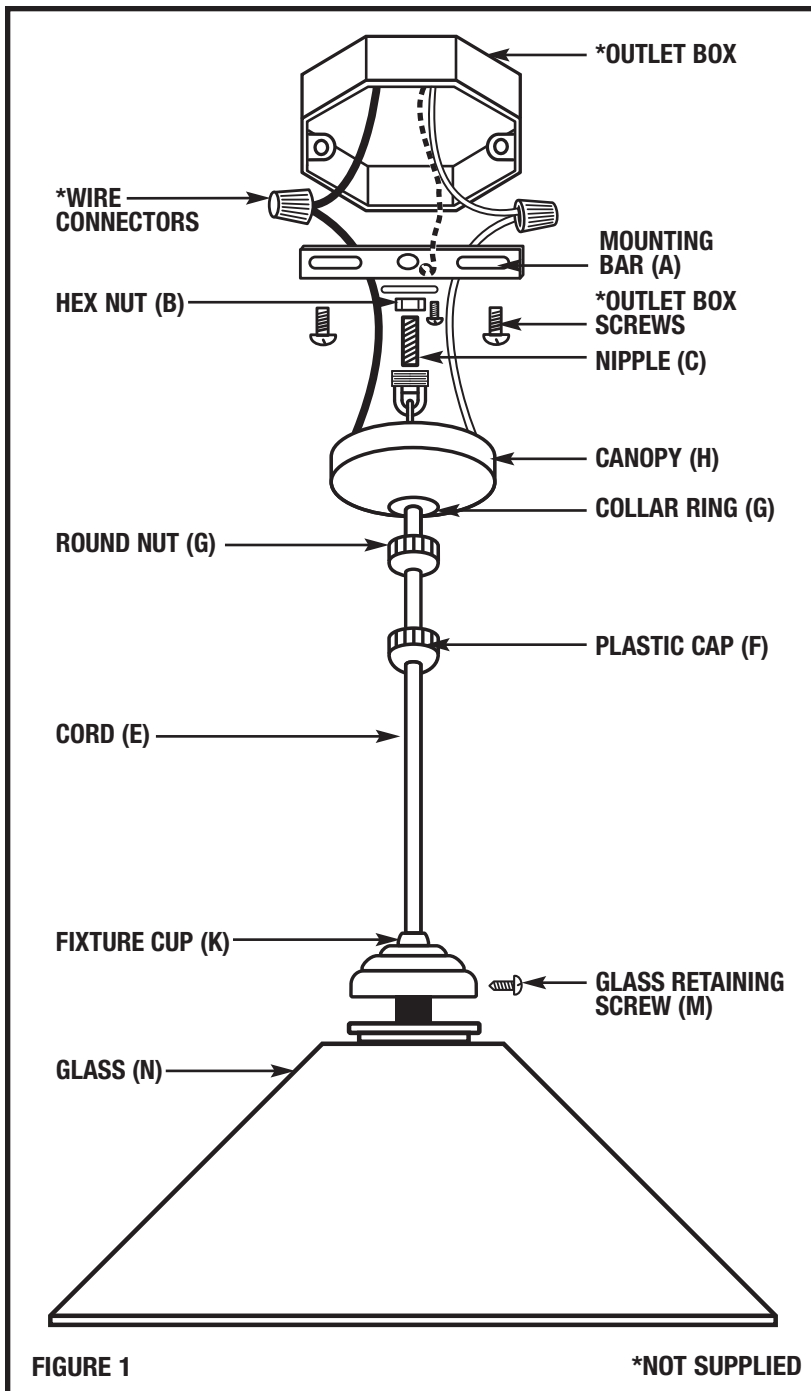
# INSTALLATION AND SAFETY INSTRUCTIONS


## IMPORTANT SAFETY INSTRUCTIONS

- Be sure the electricity to the system you are working on is turned off; either the fuse removed or the circuit breaker set at off.
- Use of other manufacturers components will void warranty, listing and create a potential safety hazard.
- If you are unclear as to how to proceed, contact a qualified electrician.
- You don't need special tools to install this fixture.
- Be sure to follow the steps in the order given.
- Under no circumstances should a fixture be hung on house electrical wires, nor should a swag type fixture be installed on a ceiling which contains a radiant type heating system.
- Read instructions carefully.
- To reduce the risk of fire, electric shock, or personal injury, mount to outlet box or supporting system able to support the weight of the fixture
- Save these instructions.

## BEFORE YOU BEGIN

Carefully remove the fixture from the carton and check that all parts are included, as shown in figure 1 and 2. Be careful not to misplace any of the screws or parts which are needed to install this fixture.





**sea gull lighting®**

## Installation And Safety Instruction

### HC-103      091907

Fill In Item Number On Carton And  
File This Sheet For Fixture Reference.    ITEM# \_\_\_\_\_

Line art shown may not exactly match the fixture enclosed.  
However, the installation instructions do apply to this fixture.

**IMPORTANT: DO NOT ATTACH FIXTURE DIRECTLY TO OUTLET BOX.**

**STEP 1:**

Slide plastic cap (F), round nut (G), canopy (H), hex nut (B), nipple (C) and mounting bar (A), in that order, onto cord.

**STEP 2:**

Screw nipple (C) into mounting bar (A), 3 turns, and secure to bar (A) with hex nut (B).

**STEP 3:**

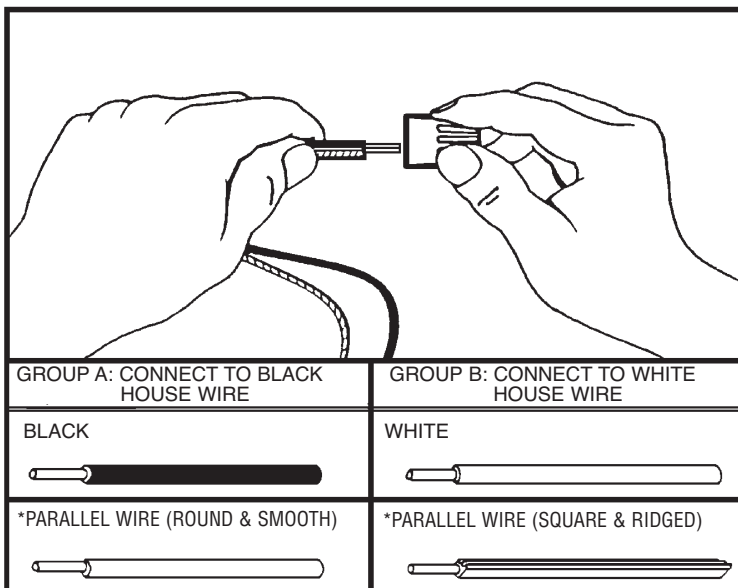
Pull cord (E) through shade (N), plastic cap (F), round nut (G), canopy (H), nipple (C), and mounting bar (A) to desired length and knot cord (E).

**STEP 4:**

Secure mounting bar (A) to outlet box with outlet box screws (not supplied).

**STEP 5:**

A. Take note of the color of the wire(s) on your fixture. Identify which group your fixture wire(s) falls into and connect the wires according to the directions below:



\*Note: When parallel wire is used, the tracer wire is square shaped or ridged and less tracer wire is round in shape or smooth. (Seen best when viewed from wire end.) To separate wires, grasp the ends of each wire and pull apart.

B. Take your fixture wire(s) from group A and place evenly against the black wire from the outlet box. **DO NOT** twist wires together before using wire connectors.

C. Fit a wire connector (not supplied) over the wires and thread the connector clockwise until you feel a firm resistance.

D. Gently try to remove the wires from the connector. If you can remove the wires, carefully re-do steps B and C, as above and check again for a firm connection.

E. Connect the fixture wire from group B to the white wire from the outlet box in the same manner.

**STEP 6:**

**GROUNDING INSTRUCTIONS:** The green grounding screw (R) is to be inserted into the hole with two raised dimples provided on the mounting bar (A). Wrap the ground wire (S) from the fixture (if supplied) and the ground wire from the outlet box (bare metal or green insulated wire) around the green grounding screw (R) on the mounting bar (A) if uninsulated wire is on the mounting bar (A), connect the ground wire (S) from the fixture (if supplied) and the outlet box to it using a small wire connector (not supplied).

**NEVER CONNECT GROUND WIRE TO BLACK OR WHITE POWER SUPPLY WIRES.**

**FINAL ASSEMBLY**

Make sure no bare wires can be seen outside wire connectors.

**STEP 1:**

After wires are connected, tuck them carefully inside outlet box and then raise the canopy (H) against ceiling and secure with round nut (G), and plastic cap (F).

**STEP 2:**

Thread the three glass retaining screws (M) into the fixture cup (K). Place the glass (N) in to the cup (K) and tighten glass retaining screws (M) until glass is secure. Do not overtighten glass retaining screws (M), finger tighten only.

**STEP 3:**

Install lamp(s).

**CLEANING**

The white electrical cord on this fixture has printing on it. If, after you have purchased this product and the presence of this printing is objectionable to you, you may remove it by the following method.

Before wiring your fixture to your power source:

1. Gently wipe the printing with a cloth slightly dampened with either nail polish remover or paint thinner. Do not soak the wire--a slight dampening is enough.
2. After the print is removed, wipe with cloth slightly dampened with fresh water.
3. Proceed to hang fixture as per normal instructions.

To clean, wipe fixture body with a soft cloth. Clean glass with a mild soap. Do not use abrasive materials such as scouring pads or powders, steel wool, or abrasive paper.

**ORDERING PARTS**

Keep this sheet for future reference, and in case you need to order replacement parts. Parts for this fixture can be ordered from place of purchase. Be sure to use exact wording from illustration when ordering parts.