

DIRECT END POWER FEED WITH CANOPY

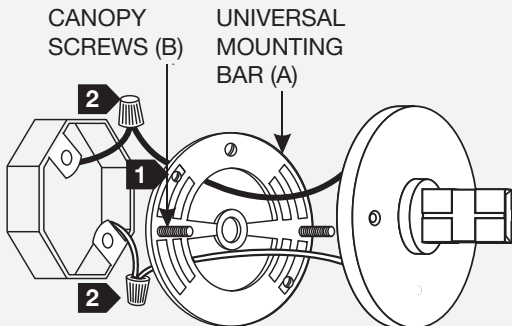
IMPORTANT SAFETY INSTRUCTIONS

- Be sure the electricity to the circuit you are working on is turned off; either the fuse removed or the circuit breaker set at off.
- If you are unclear as to how to proceed, contact a qualified electrician.
- Use of other manufacturers components will void warranty, listing, and create a potential safety hazard.
- This product is suitable for dry locations only.
- This product must be used with Sea Gull Lighting's RTx low-voltage series lighting system only.
- Save these instructions.

Install the Power Feed Canopy

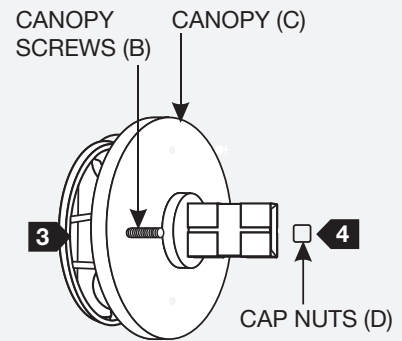
NOTE: The low voltage wires from the remote transformer must be present in electrical box. Follow the instructions provided with the remote transformer prior to these steps.

1A



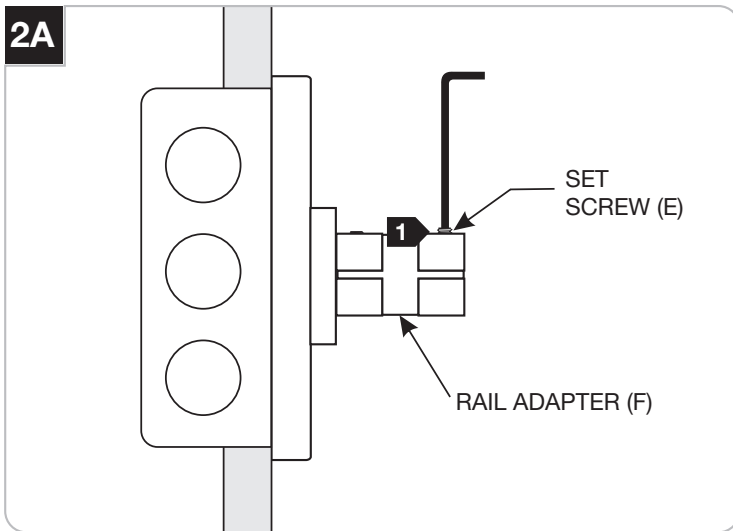
- 1** Install universal mounting bar (A) to outlet box, using supplied outlet box screws. Make sure canopy screws (B) are perfectly horizontal when installed.
- 2** Connect the canopy wires to the low voltage wires with wire nuts.

1B

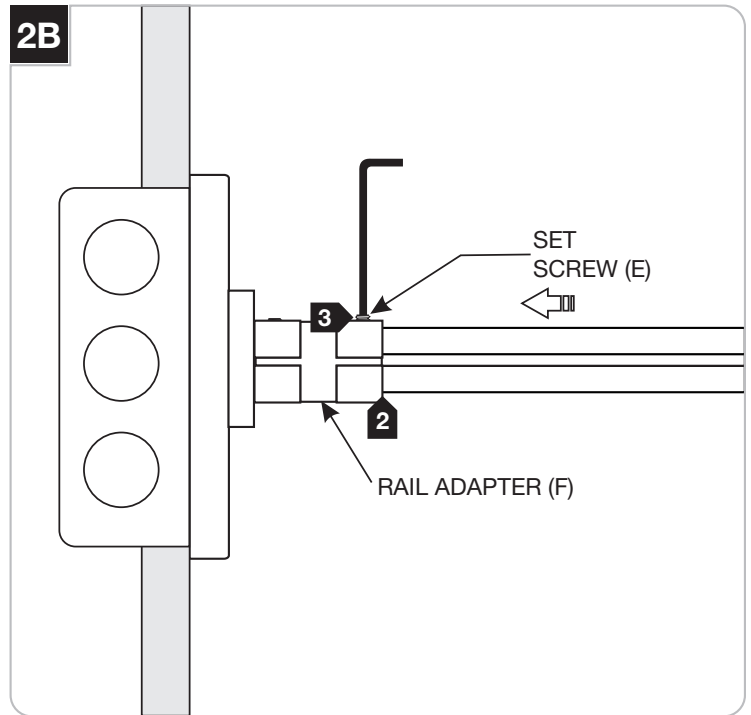


- 3** Place all wire nut connections properly into the electrical box.
- 4** Install the power feed canopy (C) to the electrical box by placing the canopy (C) over the canopy screws (B). Thread cap nuts (D) onto canopy screws (B) and tighten until canopy (C) is secured to the wall.

Mount the Rail to the Rail Adapter



- 1 Back out (DO NOT REMOVE) the set screw (E) with the 2MM Allen wrench to clear the rail adapter (F).



- 2 Insert the rail section completely into the rail adapter (F).
- 3 Tighten the set screw (E) with the Allen wrench.