



# Installation And Safety Instructions

# LR-151

Line art shown may not exactly match the fixture enclosed. However, the installation instructions do apply to this fixture. Fill in Item Number on Carton and File This Sheet For Future Reference. ITEM# \_\_\_\_\_

071808

## IMPORTANT SAFETY INSTRUCTIONS

- Be sure the electricity to the system you are working on is turned off; either the fuse removed or the circuit breaker set at off.
- Use of other manufacturers components will void warranty, listing and create a potential safety hazard.
- If you are unclear as to how to proceed, contact a qualified electrician.
- For use with the 120V Transitions track series by Sea Gull Lighting.
- Caution—To reduce the risk of burn during relamping remove from the track before relamping.
- Minimum distance from the front of the lamp to combustible surfaces is 8".
- Make sure all connections are tight.
- Dimming halogen lamps greatly reduces lamp life.
- To reduce the risk of FIRE or INJURY TO PERSONS: Turn off and allow to cool before replacing lamp.
- Lamp gets HOT quickly! Contact switch only when turning on.
- Do not touch hot lens, guard, or enclosure.
- Do not touch the lamp at any time. Use a soft cloth. Oil from skin may damage lamp.
- Do not operate the luminaire fitting with a missing or damaged shield.
- Save these instructions.

## INSTALLATION

1. Install one GU10 Base MRC16 50 watt lamp (not supplied).
2. Unthread cap (C) from rail adapter (E).
3. Making sure contacts (A) will align with conductors (B) on rail, set the bottom of rail adapter (E) to the bottom of the rail and “roll” rail adapter (E) up onto the rail (Fig. 2).
4. Close the hinged door of rail adapter (E) over the rail and thread cap (C) back onto rail adapter (E).

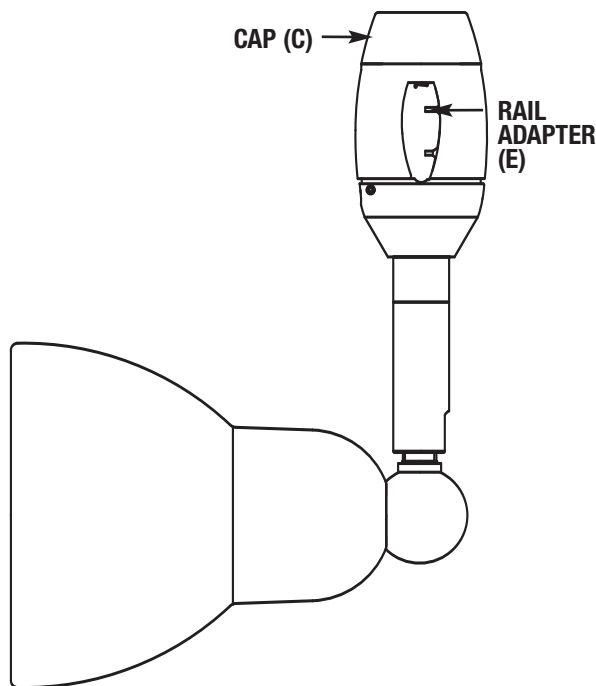


FIGURE 1

## FIXTURE INSTALLATION

### CORRECT

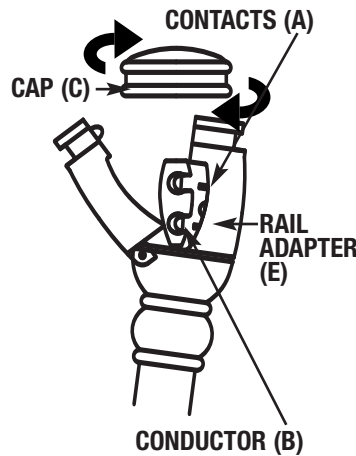


FIGURE 2

### INCORRECT

