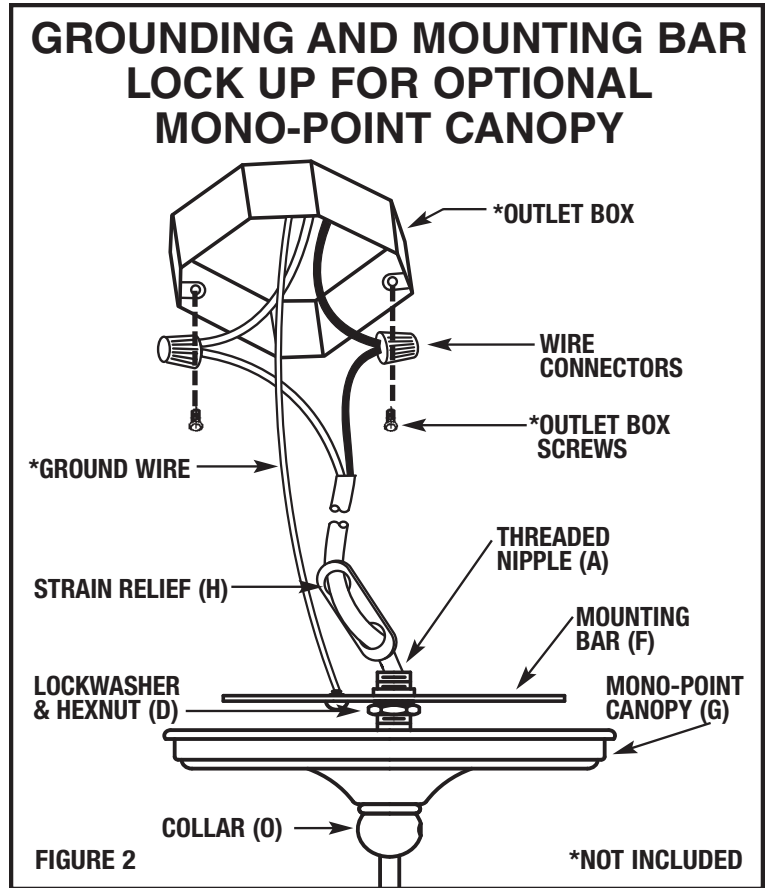
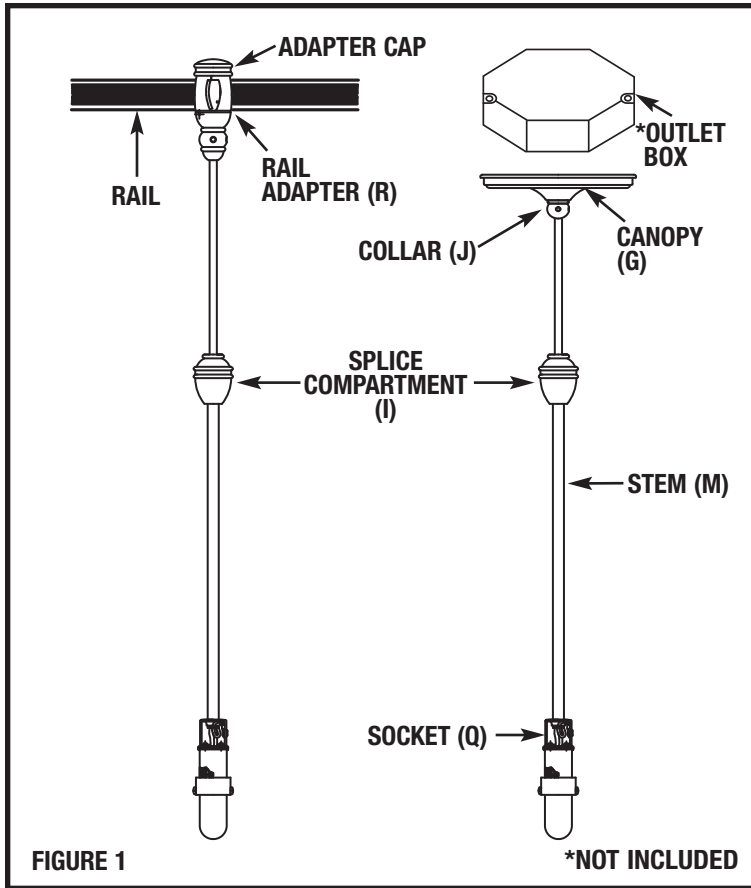


# INSTALLATION AND SAFETY INSTRUCTIONS



## IMPORTANT SAFETY INSTRUCTIONS

- Be sure the electricity to the system you are working on is turned off; either the fuse removed or the circuit breaker set at off.
- Use of other manufacturers components will void warranty, listing and create a potential safety hazard.
- If you are unclear as to how to proceed, contact a qualified electrician.
- For use with the 120V Transitions track series by Sea Gull Lighting.
- Minimum distance from the front of the lamp to combustible surfaces is 8".
- Make sure all connections are tight.
- Dimming halogen lamps greatly reduces lamp life.
- To reduce the risk of a burn during relamping, remove from the track before relamping.
- Turn off and allow to cool before replacing lamp.
- Lamp gets HOT quickly! Contact switch only when turning on.
- Do not touch hot lens, guard, or enclosure.
- Keep lamp away from materials that may burn.
- Do not touch the lamp at any time. Use a soft cloth. Oil from skin may damage lamp.
- Do not operate the luminaire fitting with a missing or damaged shield.
- Save these instructions.



AMBIANCE®  
LIGHTING SYSTEMS

LR-120

101607

[www.SeaGullLighting.com](http://www.SeaGullLighting.com)

### ASSEMBLING PENDANT/SHORTENING PENDANT LR-120

1. Determine length of pendant and shorten cable from the splice compartment (I). Be sure to add 5" for electrical connections when installing as a mono-point.
2. Unthread splice compartment (I). Carefully remove wire connections located in the splice compartment (I). Unthread bottom half of splice compartment (I) and remove from stem (M). Install optional shade (not supplied) by following instructions supplied with shade.
3. Set top of splice compartment (I) and strain relief collar at desired location. **NOTE:** Strain relief collar is threaded and should be threaded up and down cable. Be sure 1/4" of cable jacket is protruding out of strain relief collar. Secure in place by tightening the two set screws.
4. Make connections between socket leads and pendant cable using wire nuts inside the splice compartment:
  - a. Black to Black
  - b. White to White
  - c. Ground to GroundMake sure no wires are left exposed and carefully tuck wire nuts into bottom half of splice compartment (I).
5. Close splice compartment (I) by threading the two halves together.

### LIGHT ASSEMBLY – (Fig. 3)

1. Remove retaining ring from socket (Q).
2. **When using optional reflector (C) only:** Remove glass enclosure screws (T) from glass enclosure (B). Take enclosure base (S) and place in center of reflector (C). When using an MRC16 lamp, snap reflector arm to reflector (C). Thread glass enclosure screws (T) through reflector (C), enclosure base (S), and glass enclosure (B). Glass enclosure (B) should be secured to reflector (C) and be able to swivel freely.
3. Install lamp (E). Thread glass enclosure (B) (and reflector (C), if applicable) over lamp (E).

### FOR MONO-POINT INSTALLATION – (Fig.2)

1. Slide collar (O), canopy (G), nipple (A), lock washer and hexnut (D), over wire to the top of the splice compartment (I) (in that order).
2. Pass wire through mounting bar (F).
3. Install strain relief (H) to wire.
4. Secure mounting bar (F) to outlet box with outlet box screws (not supplied).
5. Install threaded nipple (A) to mounting bar (F) so at least three threads are shown above mounting bar (F). Lock in place with lock washer and hex nut (D).
6. Make electrical connections using wire nuts or other UL listed device. Be sure that no wires are left exposed.
  - a. House Black to Fixture Black
  - b. House White to Fixture WhiteWrap fixture ground wire and house ground wire around the green grounding screw located on the mounting bar (F). Secure by tightening the green grounding screw. Carefully tuck wires into outlet box.
7. Raise canopy (G) against ceiling and secure by threading collar (O) to canopy (G).

### ATTACH PENDANT TO RAIL – (Fig. 4)

1. Unthread cap from rail adapter (R).
2. Making sure contacts (K) will align with conductors (L) on rail, set the bottom of the the rail adapter (R) to the bottom of the rail and "roll" rail adapter (R) up onto the rail.
3. Install fixture to rail by closing rail adapter (R) over rail. Replace cap over top of rail adapter (R) and thread cap back onto rail adapter (R).

### OPTIONAL REFLECTOR USED TO ADJUST DIRECTIONAL BEAM SPREAD

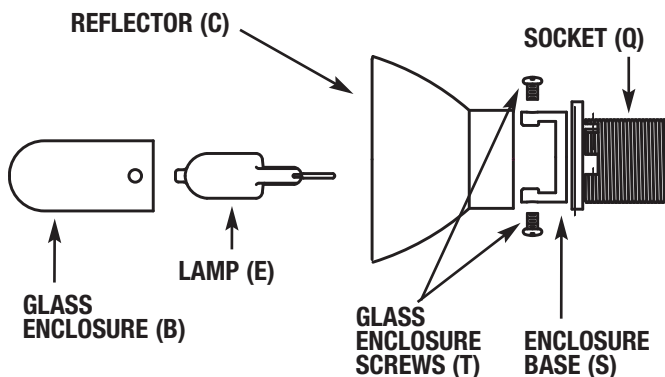


FIGURE 3

### FIXTURE INSTALLATION

#### CORRECT

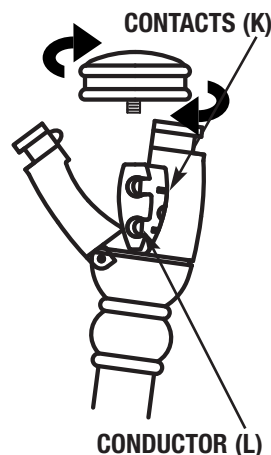


FIGURE 4

#### INCORRECT

