

# INSTALLATION AND SAFETY INSTRUCTIONS

## IMPORTANT SAFETY INSTRUCTIONS

- Be sure the electricity to the system you are working on is turned off; either the fuse removed or the circuit breaker set at off.
- Use of other manufacturers components will void warranty, listing and create a potential safety hazard.
- If you are unclear as to how to proceed, contact a qualified electrician.
- You don't need special tools to install this fixture.
- Be sure to follow the steps in the order given.
- Under no circumstances should a fixture be hung on house e electrical wires, nor should a swag type fixture be installed on a ceiling which contains a radiant type heating system.
- Read instructions carefully.
- Save these instructions.

## BEFORE YOU BEGIN

Carefully remove the fixture from the carton and check that all parts are included, as shown in Figure 1 & 2. Be careful not to misplace any of the screws or parts which are needed to install this fixture.  
**NOTE:** This fixture may be installed either flush mount or chain-hung. Follow the steps for the mounting method you have chosen.

## FOR CHAIN-HUNG

### STEP 1:

Install fixture loop (B) to top center pipe (P).

## FOR FLUSH MOUNT

### STEP 1:

Remove: fixture loop (B), fixture canopy (I) from top center pipe (P). Feed fixture wires through center hole of fixture canopy (I). Secure fixture canopy (I) to fixture by installing nut (G) over center nipple.

## CHAIN HUNG

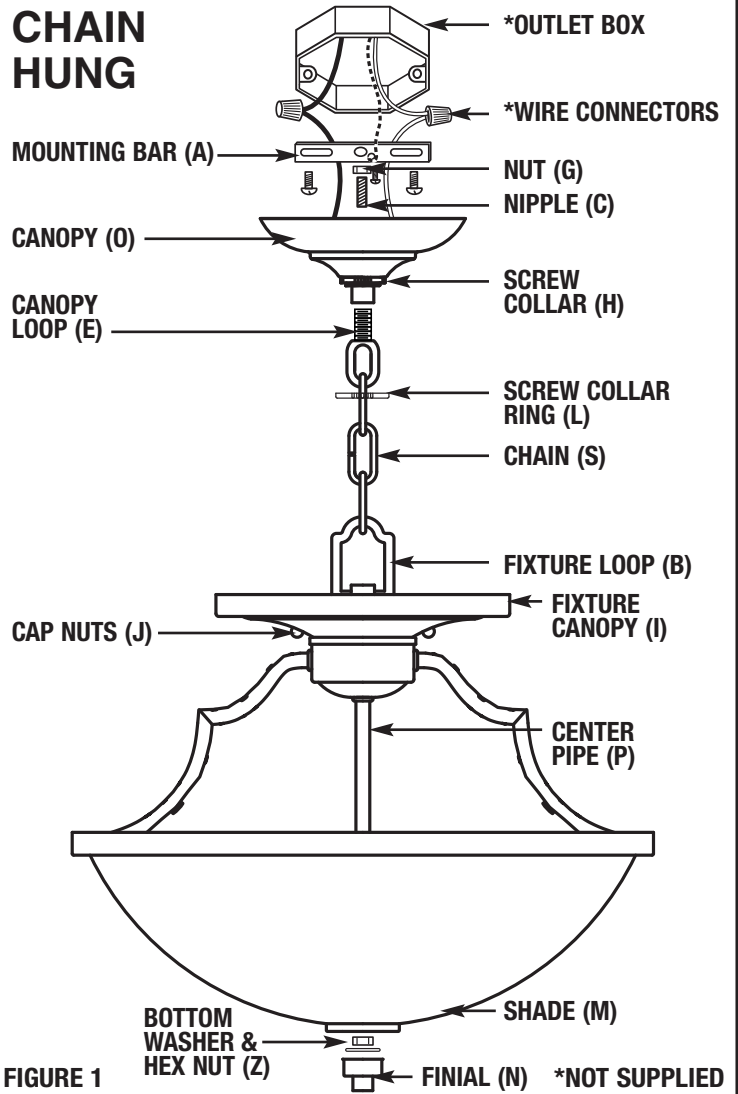


FIGURE 1

## GROUNDING AND MOUNTING BAR LOCK UP FOR FLUSH MOUNT

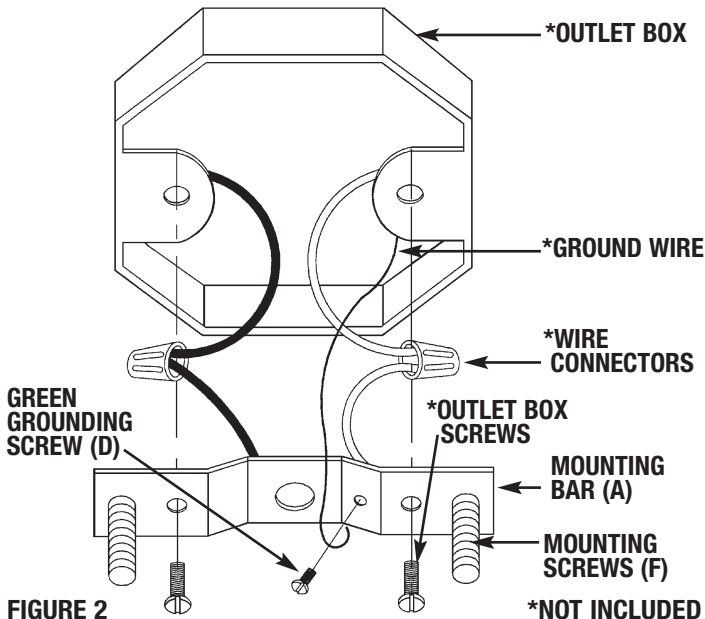


FIGURE 2



**sea gull lighting®**

## Installation And Safety Instructions

**HC-1156**

081507

File This Sheet For Future Reference. ITEM# \_\_\_\_\_

Line art shown may not exactly match the fixture enclosed. However, the installation instructions do apply to this fixture.

**IMPORTANT: DO NOT ATTACH FIXTURE DIRECTLY TO OUTLET BOX.**

**STEP 1: FLUSH MOUNT**

Thread fixture mounting screws (F) in through top of mounting bar (A) (raised side is on top, as illustrated). Run screw threads all the way down to the heads. Secure mounting bar (A) to outlet box with outlet box screws (not supplied).

**FOR CHAIN HUNG ONLY (STEPS 2-4)**

**STEP 2:**

Secure mounting bar (A) to outlet box using outlet box screws. Thread nut (G) onto nipple (C) so five threads are exposed. Thread nipple (C) into mounting bar (A) and secure by tightening nut (G). Thread screw collar (H) to nipple (C).

**STEP 3:**

Using 2 pairs of pliers, open one link of chain (S) and connect it to the fixture loop (B) at the top of the fixture. Slide screw collar ring (L) and canopy (O) to top of fixture.

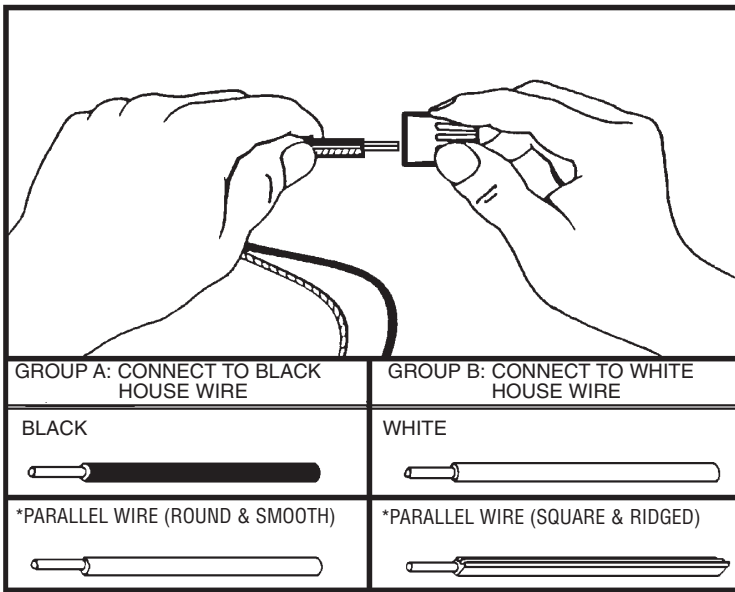
**STEP 4:**

Open one link on the other end of the chain (S) and attach it to the canopy loop (E).

**BE SURE TO CLOSE ALL CHAIN LINKS COMPLETELY.**

**WIRING INSTRUCTIONS**

**A.** Take note of the color of the wire(s) on your fixture. Identify which group your fixture wire(s) falls into and connect the wires according to the directions below:



\*Note: When parallel wire is used, the tracer wire is square shaped or ridged and less tracer wire is round in shape or smooth (Seen best when viewed from wire end). To separate wires, grasp the ends of each wire and pull apart.

**B.** Take your fixture wire(s) from group A and place evenly against the black wire from the outlet box. **DO NOT** twist wires together before using wire connectors.

**C.** Fit a wire connector (not supplied) over the wires and thread the connector clockwise until you feel a firm resistance.

**D.** Gently try to remove the wires from the connector, If you can remove the wires,, carefully re-do steps B and C, as above and check again for a firm connection.

**E.** Connect the fixture wire from group B to the white wire from the outlet box in the same manner.

**GROUNDING INSTRUCTIONS:**

The green grounding screw (D) is to be inserted into the hole with two raised dimples provided on the mounting bar (A). Wrap the ground wire from the fixture (if supplied) and the ground wire from the outlet box (bare metal or green insulated wire) around the green grounding screw (D) on the mounting bar (A) if uninsulated wire is on the mounting bar (A), connect the ground wire from the fixture (if supplied) and the outlet box to it using a small wire connector (not supplied).

**NEVER CONNECT GROUND WIRE TO BLACK OR WHITE POWER SUPPLY WIRES.**

**FINAL ASSEMBLY**

**Make sure no bare wires can be seen outside wire connectors.**

**STEP 1: (FLUSH MOUNT)**

After wires are connected, tuck them carefully inside outlet box and then raise the fixture canopy (I) against ceiling allowing for mounting screws (F) to protrude through holes in fixture canopy (I). Secure in place with cap nuts (J).

**STEP 2: (CHAIN HUNG)**

Raise canopy (O) to ceiling and secure by threading screw collar ring (L) to screw collar (H).

**STEP 3:**

Install lamp(s).

**STEP 4:**

Raise shade (M) over center pipe (P). Secure in place by threading bottom lockwasher and hexnut (Z) and finial (N).

**CLEANING**

To clean, wipe fixture with a soft cloth. Clean glass with a mild soap. Do not use abrasive materials such as scouring pads or powders, steel wool or abrasive paper.

**ORDERING PARTS**

Keep this sheet for future reference, and in case you need to order replacement parts. Parts for this fixture can be ordered from place of purchase. Be sure to use exact wording from illustration when ordering parts.