

INSTALLATION AND SAFETY INSTRUCTIONS

IMPORTANT SAFETY INSTRUCTIONS

- Be sure the electricity to the system you are working on is turned off; either the fuse removed or the circuit breaker set at off.
- Use of other manufacturers components will void warranty, listing and create a potential safety hazard.
- If you are unclear as to how to proceed, contact a qualified electrician.
- You don't need special tools to install this fixture.
- Be sure to follow the steps in the order given.
- Read instructions carefully.
- Save these instructions.

BEFORE YOU BEGIN

Carefully remove the fixture from the carton and check that all parts are included, as shown in Figures 1 & 2. Be careful not to misplace any of the screws or parts which are needed to install this fixture.

FOR STEM MOUNT

NOTE: THIS FIXTURE CAN BE HUNG USING 1, 2, OR 3 RODS. SELECT THE NUMBER OF RODS DESIRED.

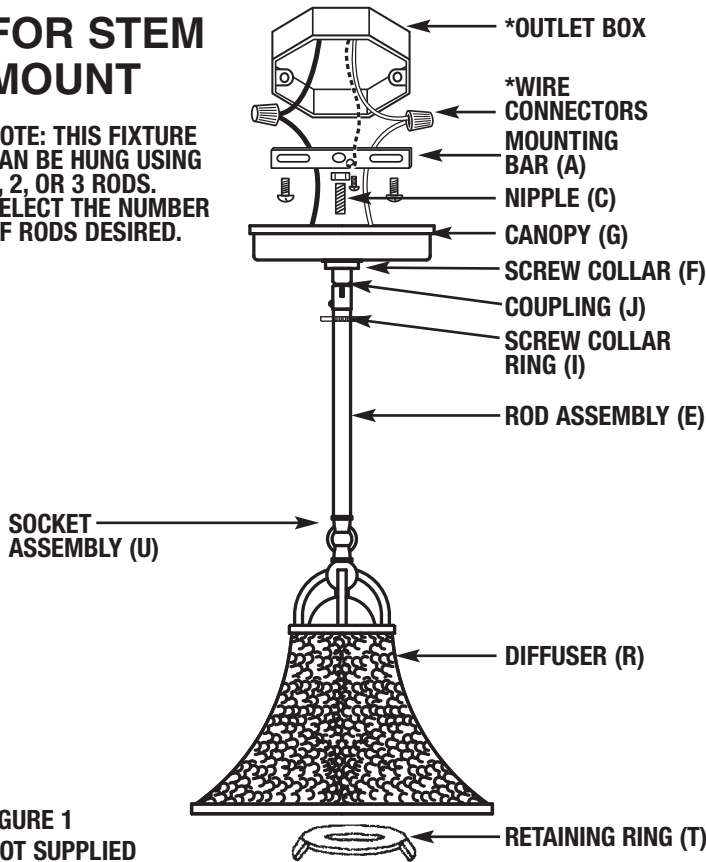


FIGURE 1
*NOT SUPPLIED

FOR STEM MOUNT

- STEP 1:** Secure mounting bar (A) to outlet box using outlet box screws (not supplied). Thread nut (B) onto nipple (C) so 5 threads are exposed past nut (B). Thread nipple (C) into mounting bar (A) and secure by tightening nut (B) to mounting bar (A). Thread screw collar (F) to nipple (C).
- STEP 2:** Thread rods together. Place wire through rod assembly (E) and thread rod assembly (E) to socket assembly (U). Slide screw collar ring (F) and canopy (G) to socket assembly (U).
- STEP 3:** Feed the fixture wire through: the coupling (J) (mounted on canopy (G)), and screw collar (F).
- STEP 4:** Secure rod assembly (E) to coupling (J). Be sure not to damage the fixture wire.

GROUNDING AND MOUNTING BAR LOCK UP

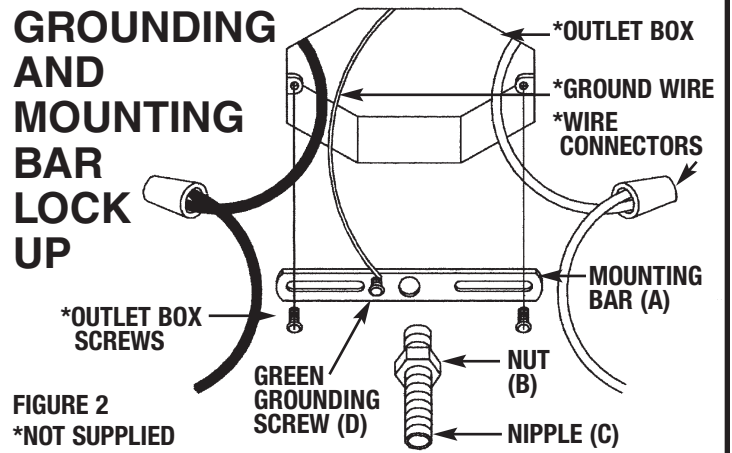


FIGURE 2
*NOT SUPPLIED

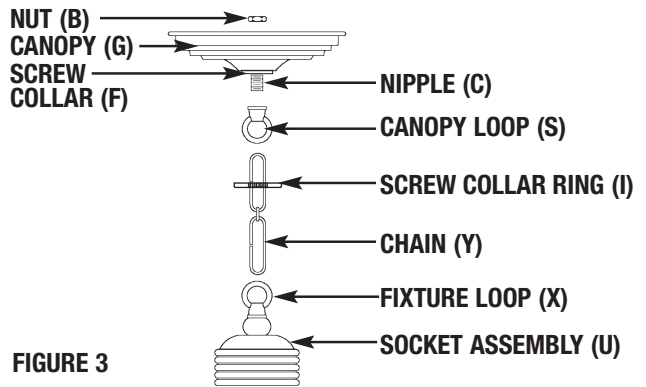


FIGURE 3

ASSEMBLY FOR CHAIN HUNG

- STEP 1:** Secure mounting bar (A) to outlet box using outlet box screws (not supplied). Thread nut (B) onto nipple (C) so 5 threads are exposed past nut (B). Thread nipple (C) into mounting bar (A) and secure by tightening nut (B) to mounting bar (A). Thread screw collar (F) to nipple (C).
- STEP 2:** Thread canopy loop (S) to nipple (C).
- STEP 3:** Install fixture loop (X) onto socket assembly (U).
- STEP 4:** Feed the fixture wire from the socket assembly (U), through the fixture loop (X), canopy loop (S) (mounted on canopy (G)), and screw collar (F).



sea gull lighting®

Installation And Safety Instruction

HC-1122 081507

Line art shown may not exactly match the fixture enclosed. However, the installation instructions do apply to this fixture.

Fill In Item Number On Carton And File This Sheet For Fixture Reference. ITEM# _____

INSTALLATION

HC-1122

IMPORTANT: DO NOT ATTACH FIXTURE DIRECTLY TO OUTLET BOX.

FOR CHAIN HUNG ONLY

STEP 1:

Using 2 pair of pliers, open one link of chain (Y) and connect it to the fixture loop (X) at the top of the fixture. Slide screw collar ring (H) and canopy (G) on chain (Y) to top of fixture.

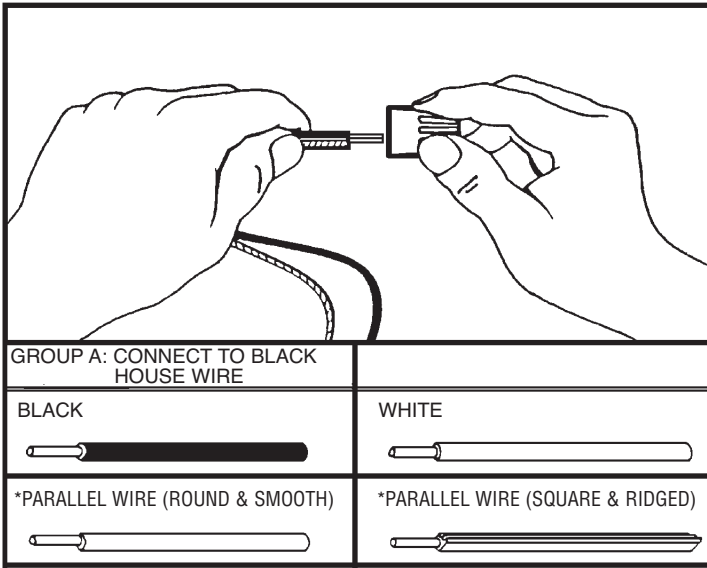
STEP 2:

Lace fixture wire up through entire chain (Y) and pass through canopy loop (S). We recommend lacing wire up through every other link of chain (Y). Open up the other end of the chain (Y) and attach it to the canopy loop (S). **BE SURE TO CLOSE ALL CHAIN LINKS COMPLETELY.**

WIRING

STEP 1:

A. Take note of the color of the wire(s) on your fixture. Identify which group your fixture wire(s) falls into and connect the wires according to the directions below:



*NOTE: When parallel wire is used, the tracer wire is square shaped or ridged, and the less tracer wire is round in shape or smooth. (Seen best when viewed from wire end.) To separate wires, grasp the ends of each wire and pull apart.

B. Take your fixture wire(s) from group A and place evenly against the black wire from the outlet box. **DO NOT** twist wires together before using wire connectors.

C. Fit a wire connector (not supplied) over the wires and thread the connector clockwise until you feel a firm resistance.

D. Gently try to remove wires from connector. If you can remove wires, carefully re-do steps B and C, as above and check again for a firm connection.

E. Connect the fixture wire from group B to the white wire from the outlet box in the same manner.

STEP 2:

GROUNDING INSTRUCTIONS: The green grounding screw (D) is to be inserted into the hole with two raised dimples provided on the mounting bar. Wrap the ground wire from the fixture (if supplied) and the ground wire from the outlet box (bare metal or green insulated wire) around the green grounding screw (D) on the mounting bar. If uninsulated wire is on the mounting bar, connect the ground wire from the fixture (if supplied) and the outlet box to it using a small wire connector (not supplied).

NEVER CONNECT GROUND WIRE TO BLACK OR WHITE POWER SUPPLY WIRES.

FINAL ASSEMBLY

Make sure no bare wires can be seen outside wire connectors.

STEP 1:

After wires are connected, tuck them carefully inside outlet box and then raise the canopy (G) against the ceiling. Secure by threading screw collar ring (I) to screw collar (F).

STEP 2:

Place diffuser (R) over socket and secure by threading retaining ring (T) onto socket.

STEP 3:

Install lamp.

CLEANING

To clean, wipe fixture body with a soft cloth. Clean glass with a mild soap. Do not use abrasive materials such as scouring pads or powders, steel wool or abrasive paper.

ORDERING PARTS

Keep this sheet for future reference, and in case you need to order replacement parts. Parts for this fixture can be ordered from place of purchase. Be sure to use exact wording from illustration when ordering parts.