

INSTALLATION AND SAFETY INSTRUCTIONS

IMPORTANT SAFETY INSTRUCTIONS

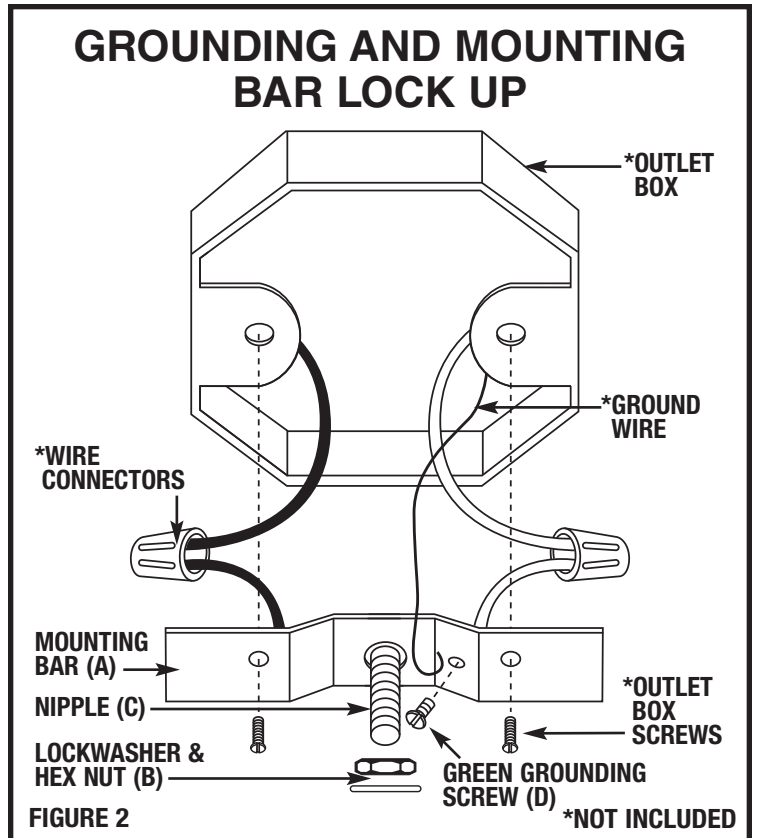
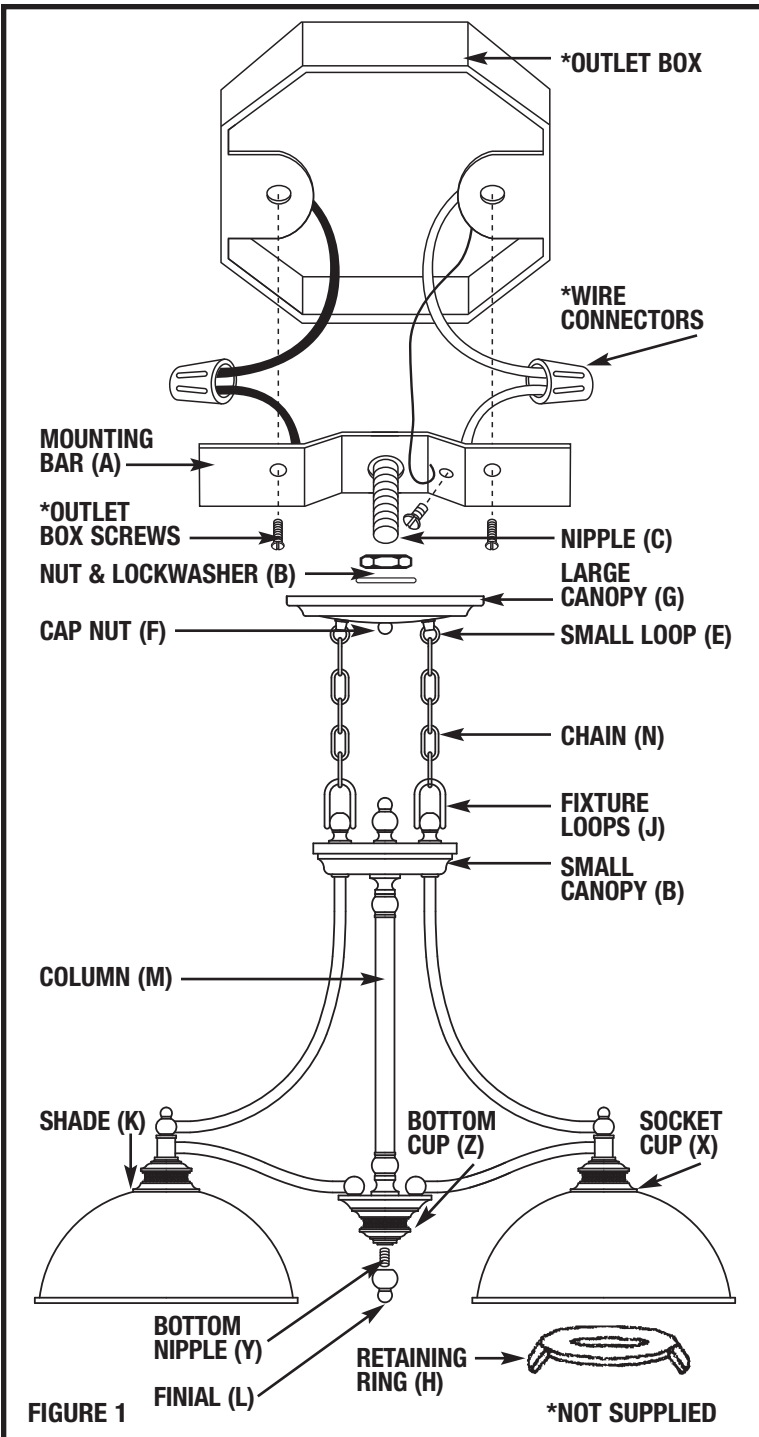
- Be sure the electricity to the system you are working on is turned off; either the fuse removed or the circuit breaker set at off.
- Use of other manufacturers components will void warranty, listing and create a potential safety hazard.
- If you are unclear as to how to proceed, contact a qualified electrician.
- You don't need special tools to install this fixture.
- Be sure to follow the steps in the order given.
- Under no circumstances should a fixture be hung on house electrical wires, nor should a swag type fixture be installed on a ceiling which contains a radiant type heating system.
- Read instructions carefully.
- Save these instructions.

ASSEMBLY

Carefully remove the fixture from the carton and check that all parts are included, as shown in Figure 1, 2 & 3. Be careful not to misplace any of the screws or parts which are needed to install this fixture.

STEP 1:

Thread fixture loops (J) onto small canopy (B).





sea gull lighting®

Installation And Safety Instruction

HC-1092 102907

Line art shown may not exactly match the fixture enclosed. However, the installation instructions do apply to this fixture.

Fill In Item Number On Carton And
File This Sheet For Fixture Reference. ITEM# _____

INSTALLATION

IMPORTANT: DO NOT ATTACH FIXTURE DIRECTLY TO OUTLET BOX.

STEP 1:

Secure mounting bar (A) to outlet box using outlet box screws (not provided).

STEP 2:

Thread lockwasher and hexnut (B) onto nipple (C) so five threads are exposed above the lockwasher and hexnut (B). Thread this end of the nipple (C) into the mounting bar (A) and secure by tightening the lockwasher and hex nut (B) to the mounting bar (A).

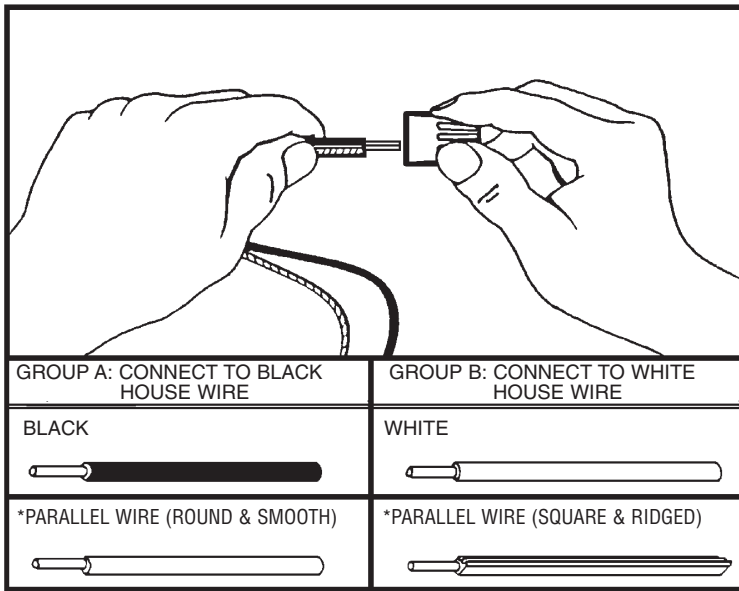
STEP 3:

Using a pair of pliers, open one link of chain (N) and connect it to the large loop (J) at the top of the fixture. Attach the other end of the chain (N) to the small loop (E).

BE SURE TO CLOSE ALL CHAIN LINKS COMPLETELY.

STEP 4:

A. Take note of the color of the wire(s) on your fixture. Identify which group your fixture wire(s) falls into and connect the wires according to the directions below:



*Note: When parallel wire is used, the tracer wire is square shaped or ridged and less tracer wire is round in shape or smooth. (Seen best when viewed from wire end.) To separate wires, grasp the ends of each wire and pull apart.

B. Take your fixture wire(s) from group A and place evenly against the black wire from the outlet box. **DO NOT** twist wires together before using wire connectors.

C. Fit a wire connector (not supplied) over the wires and thread the connector clockwise until you feel a firm resistance.

D. Gently try to remove the wires from the connector. If you can remove the wires, carefully re-do steps B and C, as above and check again for a firm connection.

E. Connect the fixture wire from group B to the white wire from the outlet box in the same manner.

STEP 4:

GROUNDING INSTRUCTIONS: The green grounding screw (D) is to be inserted into the hole with two raised dimples provided on the mounting bar (A). Wrap the ground wire from the fixture (if supplied) and the ground wire from the outlet box (bare metal or green insulated wire) around the green grounding screw (D) on the mounting bar (A) if uninsulated wire is on the mounting bar (A), connect the ground wire from the fixture (if supplied) and the outlet box to it using a small wire connector (not supplied).

NEVER CONNECT GROUND WIRE TO BLACK OR WHITE POWER SUPPLY WIRES.

FINAL ASSEMBLY

Make sure no bare wires can be seen outside wire connectors.

STEP 1:

After wires are connected, tuck them carefully inside outlet box and then raise the canopy (G) against ceiling by threading cap nut (F) onto nipple (C).

STEP 2:

Place socket cup (X) and shade (K) around socket and thread retaining ring (H) onto socket to secure.

STEP 3:

Install lamps.

STEP 4:

Place bottom cup (Z) over bottom nipple (Y) and secure by threading finial (L) to bottom nipple (Y).

CLEANING

To clean, wipe fixture body with a soft cloth. Clean glass with a mild soap. Do not use abrasive materials such as scouring pads or powders, steel wool or abrasive paper.

ORDERING PARTS

Keep this sheet for future reference, and in case you need to order replacement parts. Parts for this fixture can be ordered from place of purchase. Be sure to use exact wording from illustration when ordering parts.