

## IMPORTANT SAFETY INSTRUCTIONS

- Be sure the electricity to the system you are working on is turned off; either the fuse removed or the circuit breaker set at off.
- Use of other manufacturers components will void warranty, listing and create a potential safety hazard.
- If you are unclear as to how to proceed, contact a qualified electrician.
- You don't need special tools to install this fixture.
- Be sure to follow the steps in the order given.
- Read instructions carefully.
- Save these instructions.

**NOTE: FOR FIXTURES PROVIDED WITH 75°C OR 90°C SUPPLY WIRE WARNING ONLY-(THESE WARNINGS ARE PROVIDED ON THE LABEL AND ON THE FIXTURE CARTON): RISK OF FIRE. MOST DWELLINGS BUILT BEFORE 1985 HAVE SUPPLY WIRE RATED 60°C. CONSULT A QUALIFIED ELECTRICIAN BEFORE INSTALLING.**

## CLEANING

To clean, wipe fixture with a soft cloth. Clean glass with a mild soap. Do not use abrasive materials such as scouring pads or powders, steel wool or abrasive paper.

## ORDERING PARTS

Keep this sheet for future reference, and in case you need to order replacement parts. Parts for this fixture can be ordered from place of purchase. Be sure to use exact wording from illustration when ordering parts.

## BEFORE YOU BEGIN

Carefully remove the fixture from the carton and check that all parts are included, as shown in Figure 1. Be careful not to misplace any of the screws or parts which are needed to install this fixture.

## INSTALLATION

**IMPORTANT: DO NOT ATTACH FIXTURE DIRECTLY TO OUTLET BOX.**

### STEP 1:

Thread fixture mounting screws (B) through mounting bar (A). Secure mounting bar (A) to outlet box with outlet box screws (not supplied).

### STEP 2:

- Use a listed wire connector to connect the fixture hot wire (black wire, or round and smooth tracer) to the supply hot wire.
- Use a listed wire connector to connect the fixture common wire (white wire, or square and rigid) to the supply common wire.
- Gently try to remove the wires from the connector. If you can remove the wires, carefully re-do the wiring connection.

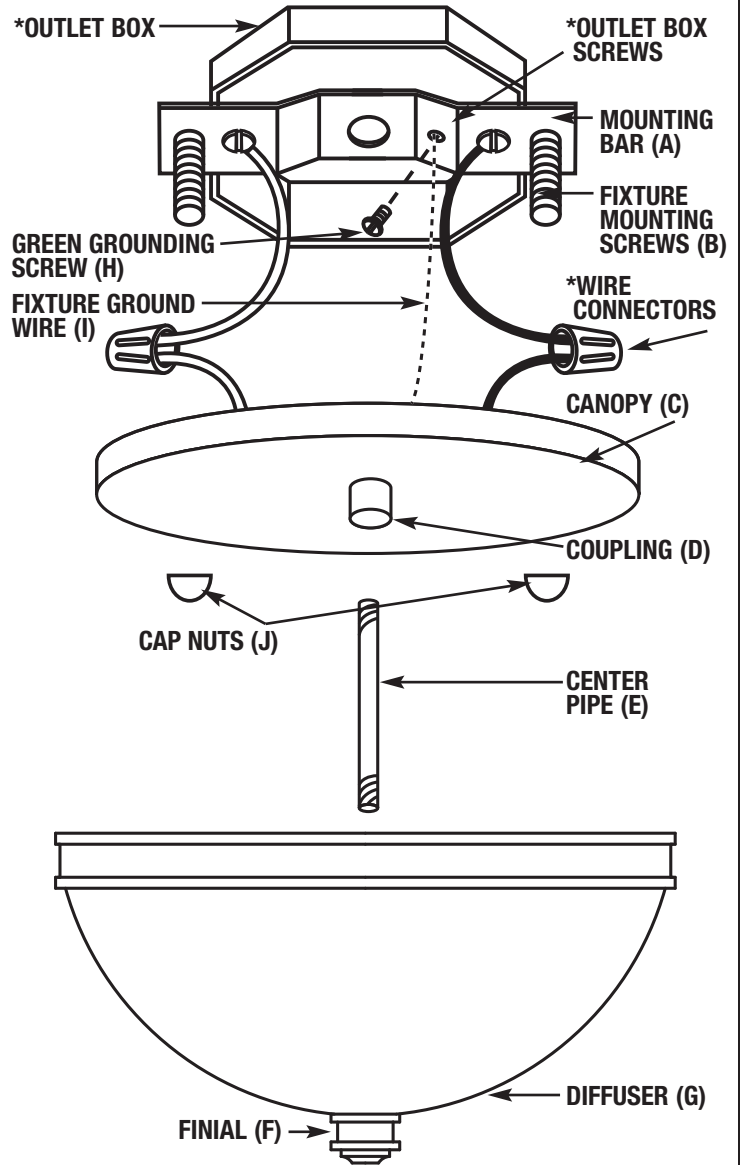


FIGURE 1

\*NOT INCLUDED

**STEP 3:**

**GROUNDING INSTRUCTIONS:** The green grounding screw (H) is to be inserted into the hole with two raised dimples provided on the mounting bar (A). Wrap the ground wire (I) from the fixture and the ground wire from the outlet box (bare metal or green insulated wire) around the green grounding screw (H) on the mounting bar (A) and tighten the green grounding screw (H) to secure. If uninsulated wire is on the mounting bar (A), connect the ground wire (I) from the fixture (if supplied) and the outlet box to it using a small wire connector (not supplied). **NEVER CONNECT GROUND WIRE TO BLACK OR WHITE POWER SUPPLY WIRES.**

**FINAL ASSEMBLY**

**Make sure no bare wires can be seen outside wire connectors.**

**STEP 4:**

After wires are connected, tuck them carefully inside outlet box. Raise canopy (C) to the ceiling allowing for fixture mounting screws (B) to protrude through canopy (C). Secure in place by threading cap nuts (J) onto fixture mounting screws (B).

**STEP 5:**

Thread center pipe (E) into coupling (D).

**STEP 6:**

Install lamps.

**STEP 7:**

Raise diffuser (G) and secure by threading finial (G) to center pipe (E).