

IMPORTANT SAFETY INSTRUCTIONS

- Be sure the electricity to the system you are working on is turned off; either the fuse removed or the circuit breaker set at off.
- Use of other manufacturers components will void warranty, listing and create a potential safety hazard.
- If you are unclear as to how to proceed, contact a qualified electrician.
- You don't need special tools to install this fixture.
- Be sure to follow the steps in the order given.
- Read instructions carefully.
- Save these instructions.

NOTE: This glass is handcrafted, the slight imperfections in the glass add to the authenticity of the fixture.

NOTE FOR FIXTURES THAT ARE SOLID BRASS:

NOTE: TO KEEP YOUR SOLID POLISHED BRASS FIXTURE LOOKING NEW FOR YEARS TO COME, REGULARLY APPLY A GOOD QUALITY NON-ABRASIVE CAR WAX TO ALL METAL SURFACES, GIVING THE FIXTURE AN EXTRA PROTECTIVE COATING.

BEFORE YOU BEGIN

Carefully remove the fixture from the carton and check that all parts are included, as shown in figure 1. Be careful not to misplace any of the screws or parts which are needed to install this fixture.

CLEANING

To clean, wipe fixture with a soft cloth. Clean glass with a mild soap. Do not use abrasive materials such as scouring pads or powders, steel wool or abrasive paper.

ORDERING PARTS

Keep this sheet for future reference, and in case you need to order replacement parts. Parts for this fixture can be ordered from place of purchase. Be sure to use exact wording from illustration when ordering parts.

WET LOCATION

NOTE: FOR FIXTURES LABELED FOR WET LOCATION AND USED OUTDOORS.

CAUTION: To reduce the risk of electrical shock, provide a watertight seal between the fixture and the mounting surface by using a silicone or similar caulking.

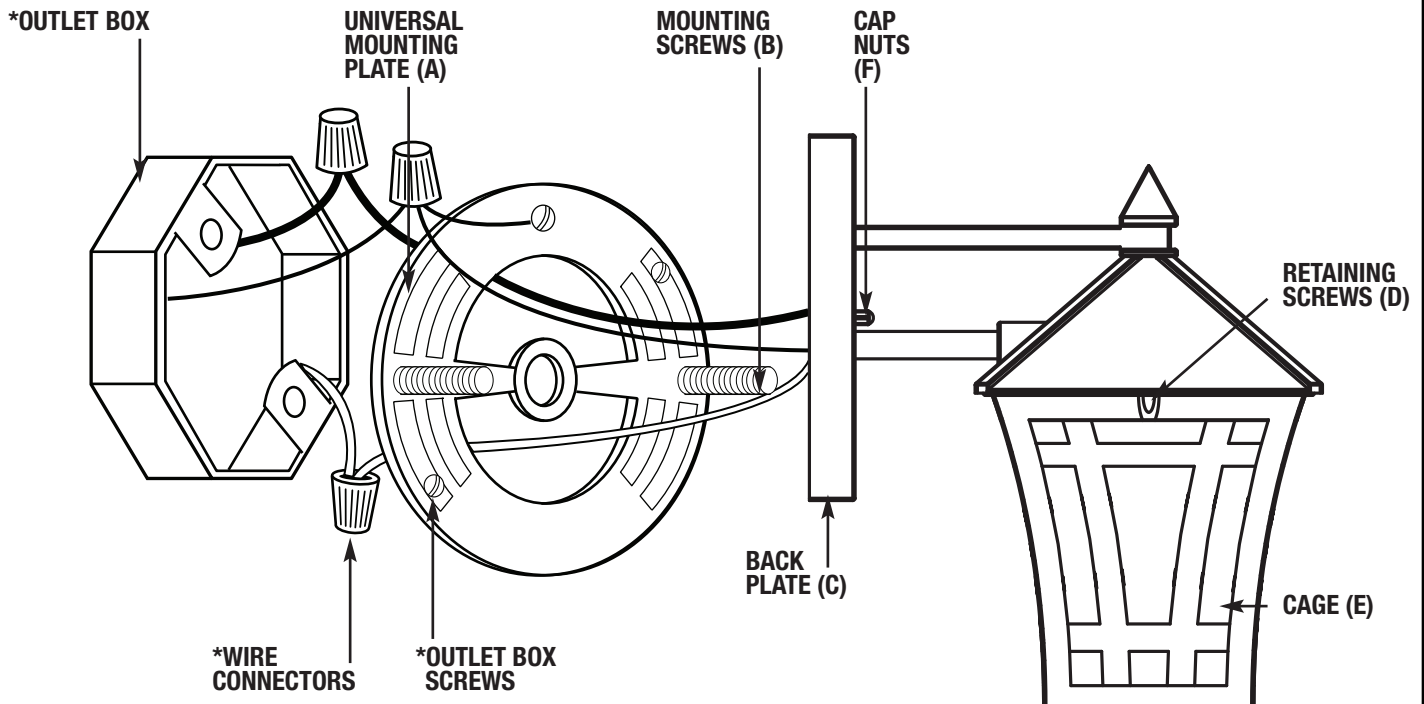


FIGURE 1

*NOT INCLUDED

IMPORTANT: DO NOT ATTACH FIXTURE DIRECTLY TO OUTLET BOX WITHOUT THE USE OF A MOUNTING BAR.

STEP 1:

Insert fixture mounting screws (B) in threaded holes of universal mounting plate (A). Run mounting screws (B) all the way down to the heads.

STEP 2:

Place universal mounting bar (A) against outlet box (not supplied) and secure in place using outlet box screws (not supplied). Be sure the mounting screws (B) are perfectly horizontal so fixture hangs straight.

STEP 3:

- A.** Use a listed wire connector to connect the fixture hot wire (black wire, or round and smooth tracer) to the supply hot wire.
- B.** Use a listed wire connector to connect the fixture common wire (white wire, or square and rigid) to the supply common wire.
- C.** Gently try to remove the wires from the connector. If you can remove the wires, carefully re-do the wiring connection.

STEP 4:

GROUNDING INSTRUCTIONS:

Connect the supply ground wire, fixture ground wire, and mounting bar ground wire (pre attached) using the supplied wiring connector. Gently try to remove the wires from the connector. If you can remove the wires, carefully re-do the wiring connection.

Make sure no bare wires can be seen outside wire connectors.

STEP 1:

After wires are connected, tuck them carefully inside the outlet box. Position backplate (C) over mounting screws (B) and secure in place by threading cap nuts (F) on to mounting screws (B).

STEP 2:

Install self ballasted lamp (G) by twisting into socket (H).

STEP 3:

Raise cage (E) to fixture and secure with retaining screws (D).

FIXTURES WITH A ONE PIECE LAMP / BALLAST COMBINATION

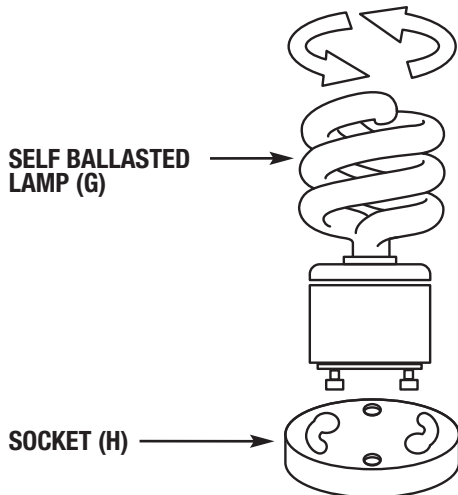


FIGURE 2