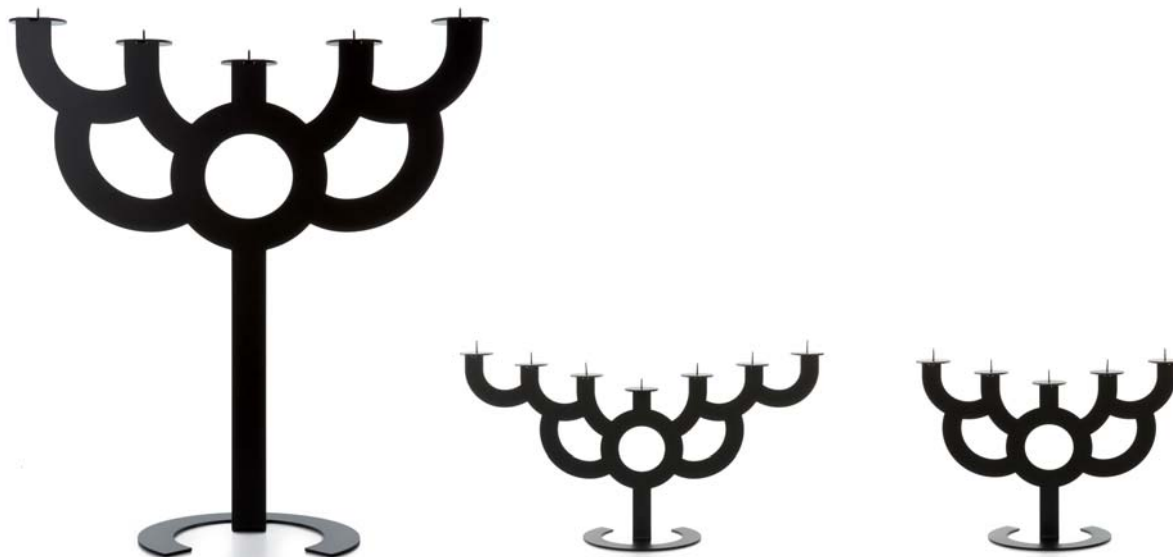


m o o o i<sup>®</sup>



## ***Bold***

"The Bold series developed from my fascination with laser cutting technology. With the use of a laser, you can cut a form or pattern in sheet metal with extreme accuracy. This technology allows you to handle the sheet very efficiently with very little wastage. The timeless appearance of the Bold series endows it with charisma, making it a worthy addition to the MOOOI collection!"

Roderick Vos

<b><i>Designer</i></b>	Roderick Vos
<b><i>Year of design</i></b>	2005
<b><i>Material</i></b>	Powder coated steel
<b><i>Additional</i></b>	Candles are not supplied and are to be ordered seperately
<b><i>Product Codes</i></b>	Moooi, accessories, little bold, black MOABL5----B
	Moooi, accessories, big bold, black MOABB5----B
	Moooi, accessories, menorah bold, black (7 holders) MOABM7----B

## ***Detailing***



The intelligent technique used to give the Bold it's 3rd dimension can be seen here. The candle spire holds the candle in place. (The spire is sharp and must be handled with care.)

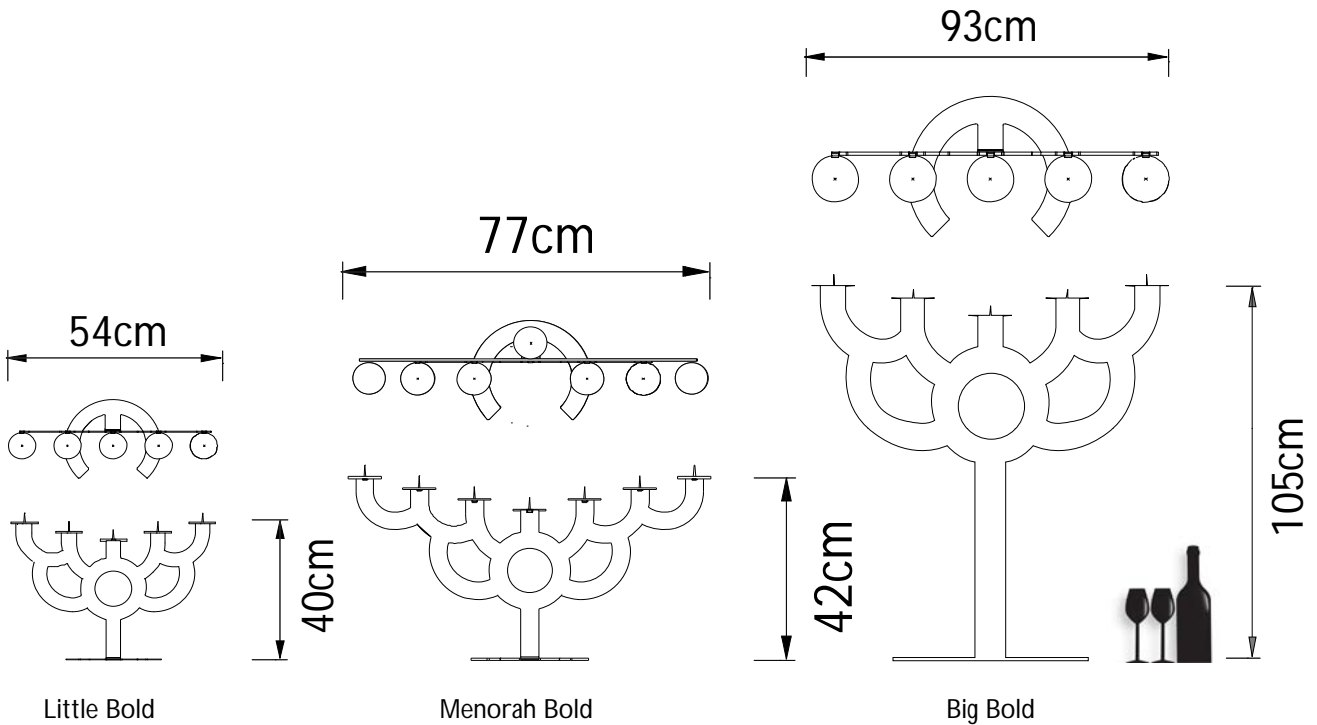
## ***Colour***



Black



**Main dimensions**



**Technical**

Moooi recommends leaving approx 2cm remaining on the candle before replacing. There is no other technical information required for this product.

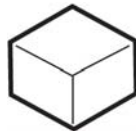
**Packaging**



H-58cm  
W-46cm  
D-26cm



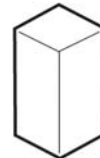
1-Colli  
4-Net  
5-Gross



H-78cm  
W-46cm  
D-26cm



1-Colli  
4.8-Net  
6-Gross



H-122cm  
W-97cm  
D-42cm



1-Colli  
19.5-Net  
22-Gross

**Additional**



Moooi, accessories, box of CANDLES little bold,  
Moooi, accessories, box of CANDLES menorah bold,  
Moooi, accessories, box of CANDLES big bold,

MOABL5C----  
MOABM7C----  
MOABB5C----

# m o o o i<sup>®</sup>

---

*Photography*



Photography by Ingo Powilleit

---

***Cleaning Instructions***

Most good household cleaning products can be used on this product in conjunction with a soft cloth or sponge. Avoid using abrasive cleaning applicators.

---