



OPEN FOOTRAIL

ATLANTIC FURNITURE

ASSEMBLY INSTRUCTIONS

Before assembling your Footrail, please read through these instructions carefully, familiarising yourself with the different parts.

Instructions apply for all sizes of bed
> Twin > Full > Queen > King

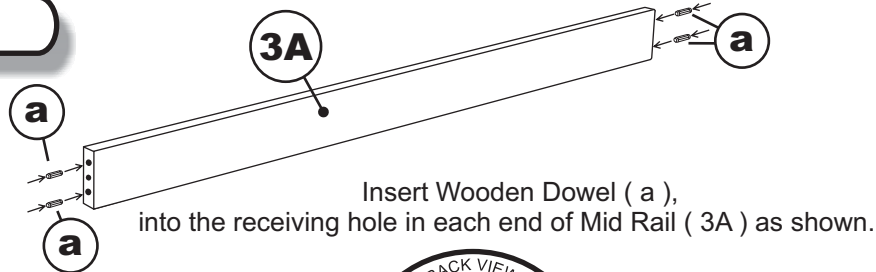
PARTS LIST

- 3A MID RAIL 1 PC**
- 3B TALL LEGS 2 PCS**
- 3C SHORT LEGS 2 PCS**

HARDWARE

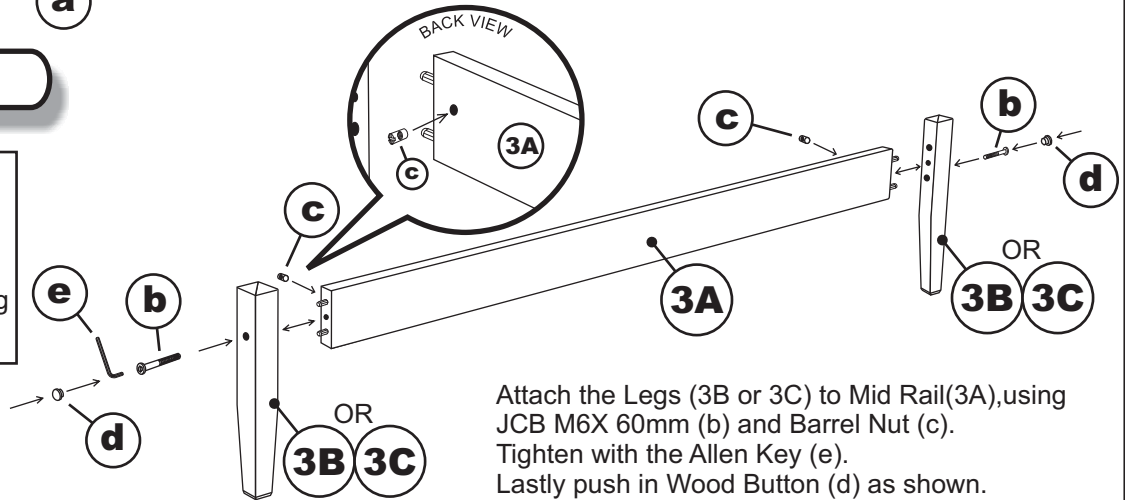
- a** 10 x 40mm Wooden Dowel 4 pcs
- b** JCB M6 X 60mm 2 pcs
- c** Barrel Nut 2 pcs
- d** Wood Button 2 pcs
- e** Allen Key 1 pc

Step 1



Step 2

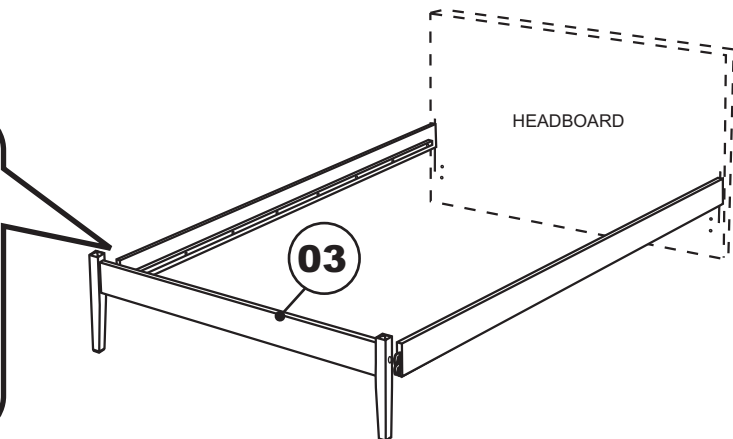
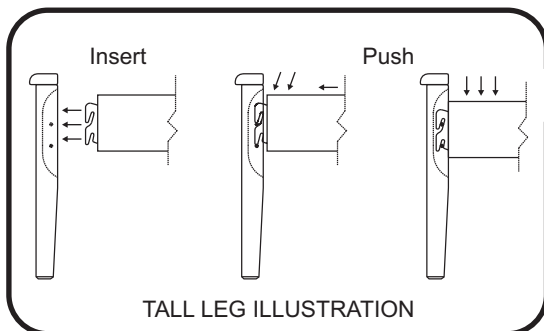
Using the Tall Legs when using only mattress, and using the Short Legs if using both box spring and mattress.



Step 3

Assemble Headboard according to bed assembly instructions.

Step 4



Attach the other end of the Long Rails to the Footrail (03) using bed hook as shown.