



FLAT PANEL BED DRAWER

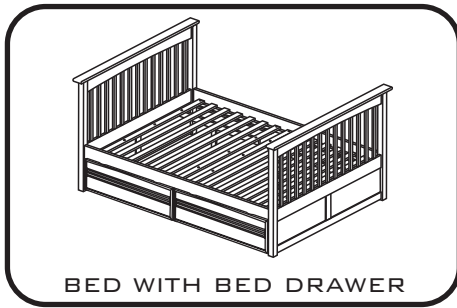
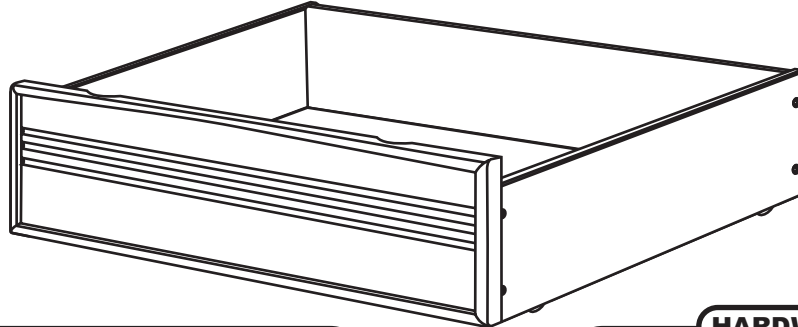
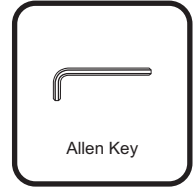


ASSEMBLY INSTRUCTIONS

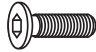
Thank you for choosing our new Flat panel bed drawer.


This practical design offers the utmost in versatility.

Before assembling your Drawer Bed, please read through these instructions carefully, familiarise yourself with the different parts.



HARDWARE

A  JCB M6 X 1" (25mm) - 16 pcs
Fix Drawer side to Drawer face / back

B  Allen Key - 1 pcs

PARTS LIST

- | | | | | | |
|-----------|--------------------|--------------|-----------|---------------------|--------------|
| 01 | HARDWARE | 1 BOX | 04 | DRAWER BACK | 2 PCS |
| 02 | DRAWER FACE | 2 PCS | 05 | DRAWER PANEL | 2 PCS |
| 03 | DRAWER SIDE | 4 PCS | | | |

