

drive

MEDICAL DESIGN & MANUFACTURING

lifetime limited warranty

Your Drive brand product is warranted to be free of defects in materials and workmanship for the lifetime of the original consumer purchaser.

This device was built to exacting standards and carefully inspected prior to shipment. This Lifetime Limited Warranty is an expression of our confidence in the materials and workmanship of our products and our assurance to the consumer of years of dependable service.

In the event of a defect covered by this warranty, we will, at our option, repair or replace the device.

This warranty does not cover device failure due to owner misuse or negligence, or normal wear and tear. The warranty does not extend to non-durable components, such as rubber accessories, casters, and grips, which are subject to normal wear and need periodic replacement.

If you have a question about your Drive device or this warranty, please contact an authorized Drive dealer.



© 2006 Medical Depot, Inc. All rights reserved.
Drive is a trademark of Medical Depot, Inc.
Port Washington N.Y. 11050 USA Made in China

www.drivemedical.com

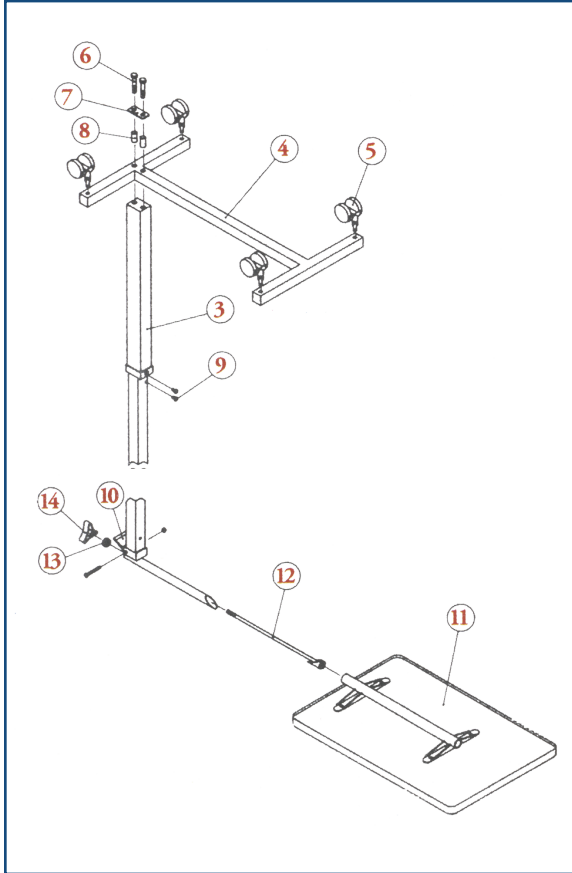
deluxe
overbed table

drive

MEDICAL DESIGN & MANUFACTURING

www.drivemedical.com

assembly & operating instructions



overbed table with Tilt-top (item # 13008)

1. Invert and slide tilt-top board (11) into mast (3) on floor. Tighten together with washer (13) and triangle knob (14).
2. Place the base (4) above the mast (3) and assemble with bolts (6), washer (7) and insert (8) as shown in illustration.
3. Insert 4 casters (5) into holes provided in base.
4. Invert table and remove top screw (9), allowing easy height adjustment.
5. Raise top by applying light pressure upward under table top.
6. Lower table by squeezing adjustable plate (10) upwards and at same time pushing table top down to desired height.

CAUTION: Assemble completely before removing screw (9). But be sure to remove after assembly for height adjustment to operate properly.

CAUTION: Before taking apart, adjust the table top to the lowest position and tighten screw (9), so mast is locked before packed and shipped.

contents

- | | |
|--|---------------------------------------|
| 1- (1) top board | 8- (2) inserts |
| 2- (6) screws
(cross recessed head) | 9- (1) screw
(cross recessed head) |
| 3- (1) mast | 10- (1) adjustable plate |
| 4- (1) base | 11- (1) tilt-top board |
| 5- (4) casters | 12- (1) inner tube |
| 6- (2) bolts (hexagon head) | 13- (1) washer |
| 7- (2) washers | 14- (1) triangle knob |

CAUTION

FOR SAFETY DO NOT REMOVE BLACK SCREW ON COLUMN UNTIL TABLE IS FULLY ASSEMBLED AND IN A STANDING UPRIGHT POSITION. (CHROME SCREW HEX-HEAD ON COLUMN IS NOT TO BE REMOVED)



DO NOT REMOVE BOTTOM SCREW



Item # 13008