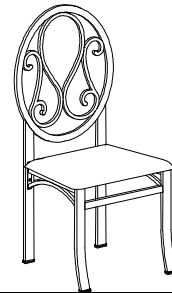


Style No. BC1491  
 "LUCIANNA" DINING CHAIR



RELAX...if you can follow a few easy, step-by step directions in order, YOU CAN ASSEMBLE THIS ITEM.



**PARTS LIST**

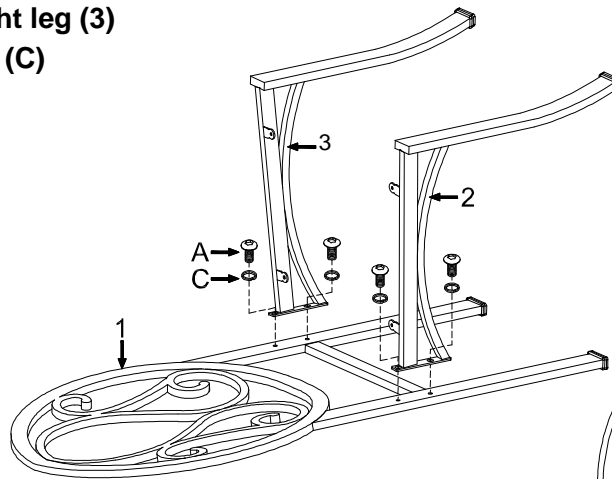
1		2		3		4		5	
	BACK 1 PC		LEFT LEG 1 PC		RIGHT LEG 1 PC		FRONT STRECHER 1 PC		SEAT CUSHION 1 PC

**HARDWARE LIST**

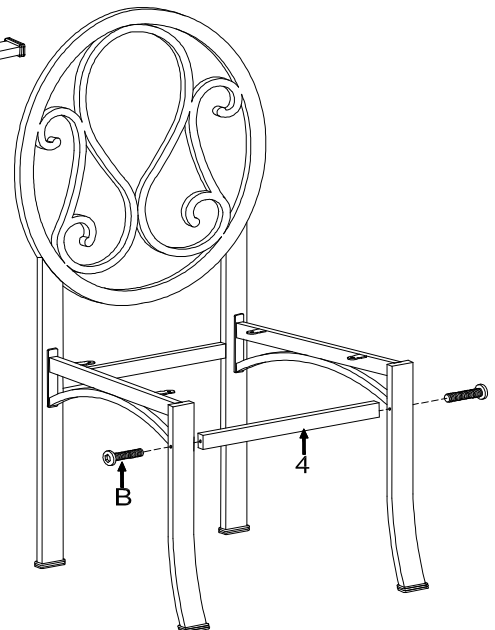
A		B		C		D		E	
	1/4"x13mm Allen Bolt 4 PCS		1/4"x57mm Allen Bolt 2 PCS		Lock Washer 4 PCS		Screw 4x19mm 4 PCS		Wrench 1 PC

**Do not tighten screws & bolts until the entire unit is completely assembled.**

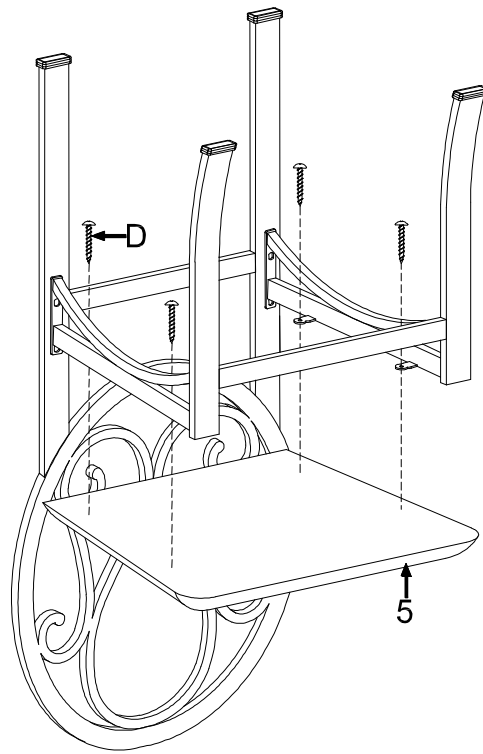
**1. Attach left leg (2) & right leg (3) to back (1) by using (A) & (C) as shown.**



**2. Attach front stretcher (4) to left leg (2) & right leg (3) by using (B) as shown.**



3. Turn the unit upside down and screw (D) to assemble seat cushion (5) as shown.



**YOUR NEW LUCIANNA DINING CHAIR IS FINISHED AND READY TO USE**

THIS PRODUCT IS NOT INTENDED FOR COMMERCIAL USE



SOUTHERN ENTERPRISES, INC  
P.O. Box 59996 Dallas, Texas 75229

Please count, identify and compare parts and hardware list to be sure all parts are present. It may help to divide parts and label them to correspond with part list. Extra hardware may be included. If any items are missing, please contact our parts/service department at (800) 633-5096 or in Dallas (972) 869-0111/ 9am - 4pm Mon-Fri Central time. Missing or damaged hardware and / or parts will be replaced free of charge. WE DO NOT SELL PARTS. WE DO NOT RECOMMEND MODIFYING PRODUCT (S) AND WE ARE NOT RESPONSIBLE FOR ANY DAMAGES DUE TO PRODUCT MODIFICATION (S). If this product has not been purchased from our retail affiliates (within 9 months), we are under no obligation to provide parts or replacement merchandise. Parts will not be available for items arrived fully assemble.

**“We will ship parts if available” “This is not a warranty”**

**PARTS REPLACEMENT FORM**

STYLE NO: BC1491

Customer Name

PARTS  
LETTER

PARTS  
DESCRIPTION

QUANTITY  
NEEDED

Street, City, State, Zip

Phone#



SOUTHERN ENTERPRISES INC.  
P.O. Box 59996 Dallas, Texas 75229

Please indicate where you purchased this item.  
Store/website/catalog

\_\_\_\_\_/\_\_\_\_\_/\_\_\_\_\_

Please indicate color/ size/ style number.

\_\_\_\_\_/\_\_\_\_\_/\_\_\_\_\_