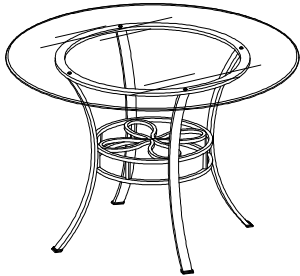


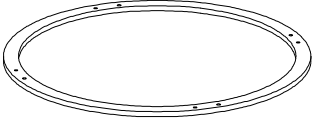

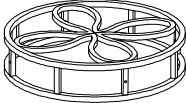
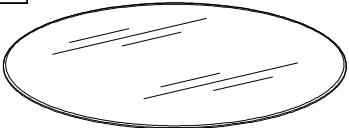
Style No. DN1490G0/DN1490GT
 "LUCIANNA DINING TABLE"



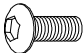
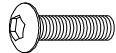




RELAX...if you can follow a few easy, step-by-step directions in order, YOU CAN ASSEMBLE THIS ITEM.



PARTS LIST

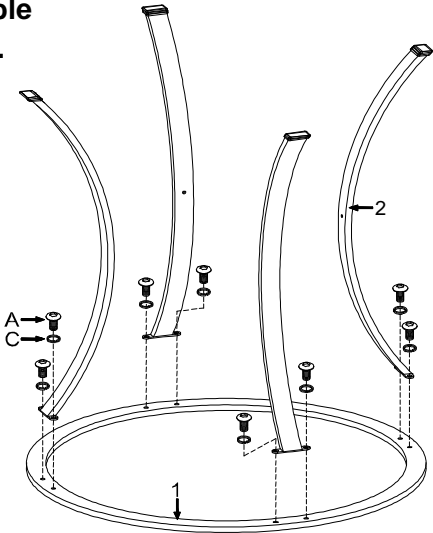
1 	2 	3 	4 
TOP FRAME 1 PC	LEG 4 PCS	BOTTOM FRAME 1 PC	TOP GLASS 1 PC

HARDWARE LIST

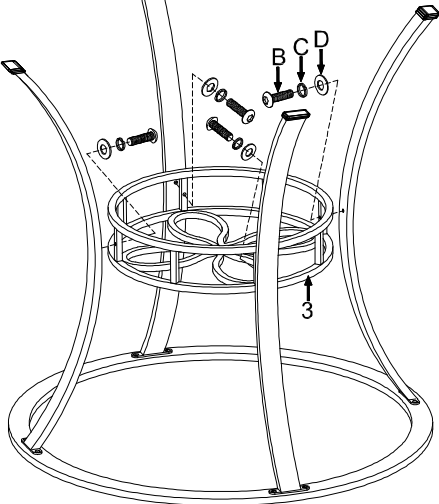
A 	B 	C 	D 	E 	F 
1/4"x13mm Allen Bolt 8 PCS	1/4"X25mm Allen Bolt 4 PCS	Lock Washer 12 PCS	Flat Washer 4 PCS	Glass pad 4 PCS	Wrench 1 PC

Do not tighten screws & bolts until the entire unit is completely assembled.

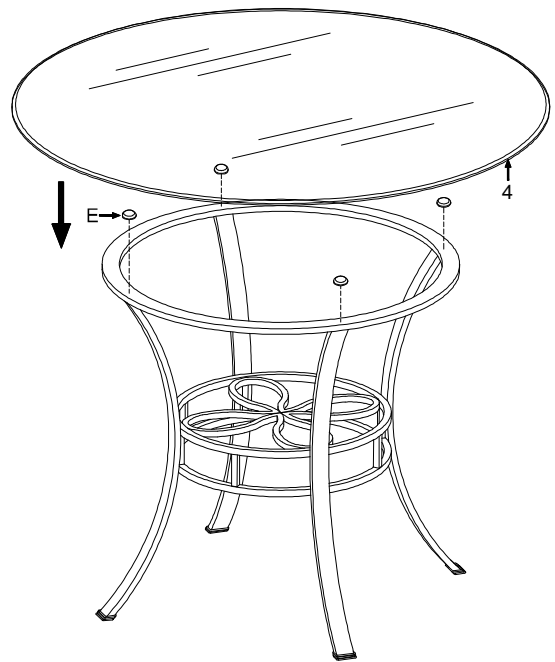
1. Using screw (A) & (C) to assemble top frame (1) and leg (2) as shown.



2. Using screw (B), (C) & plate washer (D) to assemble bottom frame (3) and leg as shown.



3. Turn the unit upside down and put glass pad (E) onto top frame as shown, then put on top glass (4).



YOUR NEW LUCIANNA DINING TABLE IS FINISHED READY TO USE

THIS PRODUCT IS NOT INTENDED FOR COMMERCIAL USE



SOUTHERN ENTERPRISES, INC
P.O. Box 59996 Dallas, Texas 75229

Please count, identify and compare parts and hardware list to be sure all parts are present. It may help to divide parts and label them to correspond with part list. Extra hardware may be included. If any items are missing, please contact our parts/service department at (800) 633-5096 or in Dallas (972) 869-0111/ 9am - 4pm Mon-Fri Central time. Missing or damaged hardware and / or parts will be replaced free of charge. WE DO NOT SELL PARTS. WE DO NOT RECOMMEND MODIFYING PRODUCT (S) AND WE ARE NOT RESPONSIBLE FOR ANY DAMAGES DUE TO PRODUCT MODIFICATION (S). If this product has not been purchased from our retail affiliates (within 9 months), we are under no obligation to provide parts or replacement merchandise. Parts will not be available for items arrived fully assemble.

“We will ship parts if available” “This is not a warranty”

PARTS REPLACEMENT FORM

STYLE NO: DN1490G0/DN1490GT

Customer Name

PARTS LETTER

PARTS DESCRIPTION

QUANTITY NEEDED

Street, City, State, Zip

Phone#



SOUTHERN ENTERPRISES INC.
P.O. Box 59996 Dallas, Texas 75229

Please indicate where you purchased this item.
Store/website/catalog

Please indicate color/ size/ style number.