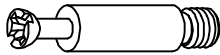


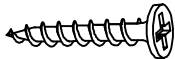

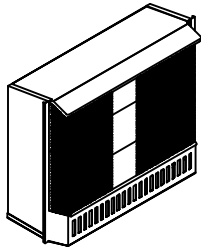


SOUTHERN ENTERPRISES INC.

RELAX... If you can follow a few easy, step-by-step directions in order, **YOU CAN ASSEMBLE THIS ITEM.**

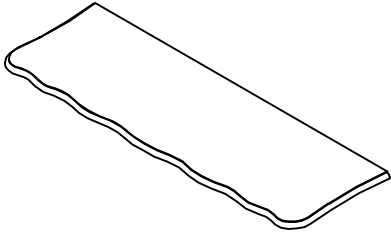
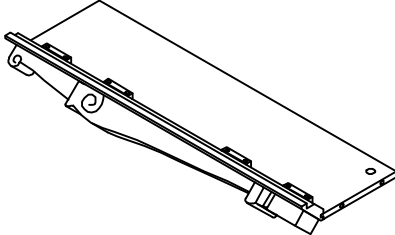
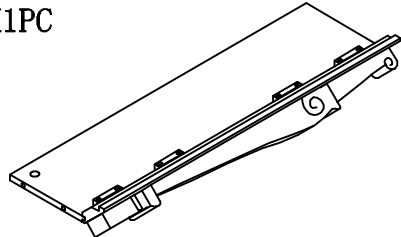
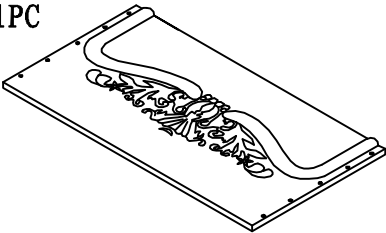
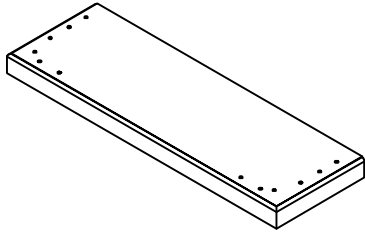
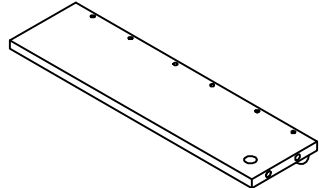
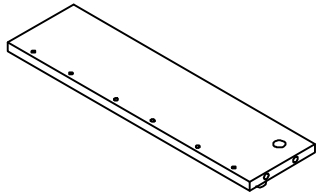
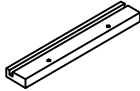
PLEASE FIND HARDWARE IN RED POLYBAG BEFORE DISCARDING PACKING MATERIAL.

HARDWARE LIST

<p>A: CAM-BOLT X6PCS</p> 	<p>B: WOOD DOWEL X10PCS</p> 	<p>C: CAM-LOCK X6PCS</p> 
<p>D: FLAT HEAD LONG SCREW X24PCS</p>  <p>ø8*1"</p>	<p>E: GLUE X1PC</p> 	<p>F: FIREBOX W/SCREEN KIT X1PC</p> 

NOTE: THIS CARTON DOES NOT INCLUDE PARTS "F"

PARTS LIST

<p>(1) TOP PANEL X1PC</p> 	<p>(2) LEFT SIDE PANEL X1PC</p> 	<p>(3) RIGHT SIDE PANEL X1PC</p> 
<p>(4) UPPER FRONT CROSS-BAR X1PC</p> 	<p>(5) BASE FRAME X1PC</p> 	<p>(6) LEFT INSIDE CROSS-BAR X1PC</p> 
<p>(7) RIGHT INSIDE CROSS-BAR X1PC</p> 	<p>(8) WOOD HOLDER X2PCS</p> 	

ASSEMBLY INSTRUCTION

FIGURE 1

1. SELECT A SMOOTH, SOFT SURFACE TO PREVENT SCRATCHING FINISH.
2. YOU MAY NEED A PHILIP SCREWDRIVER.
3. FILL HOLE 1/4 FULL OF GLUE. INSERT FOUR WOOD DOWELS (B) INTO CORRESPONDING HOLES IN LEFT (6)/RIGHT (7) INSIDE CROSS-BAR AND FIT INTO CORRESPONDING HOLES IN END OF UPPER FRONT CROSS-BAR (4).

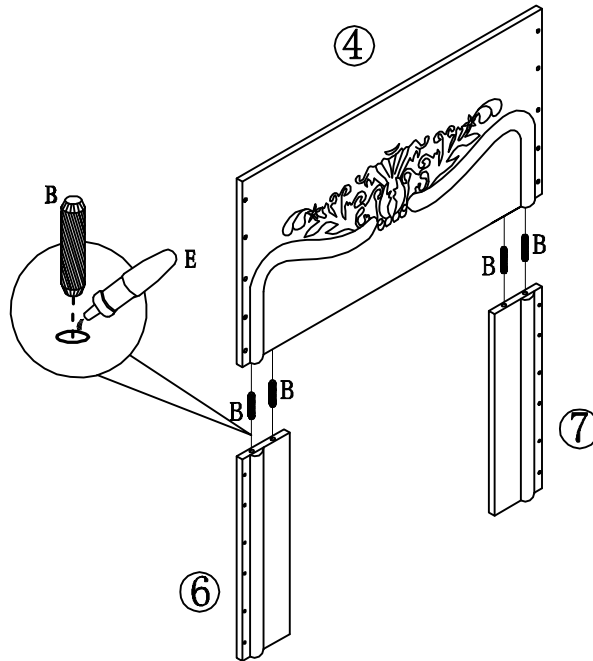


FIGURE 2

4. ATTACH LEFT (2) / RIGHT (3) SIDE PANEL TO THE UNIT YOU HAVE ASSEMBLED USING TWELVE FLAT HEAD SCREWS (D).

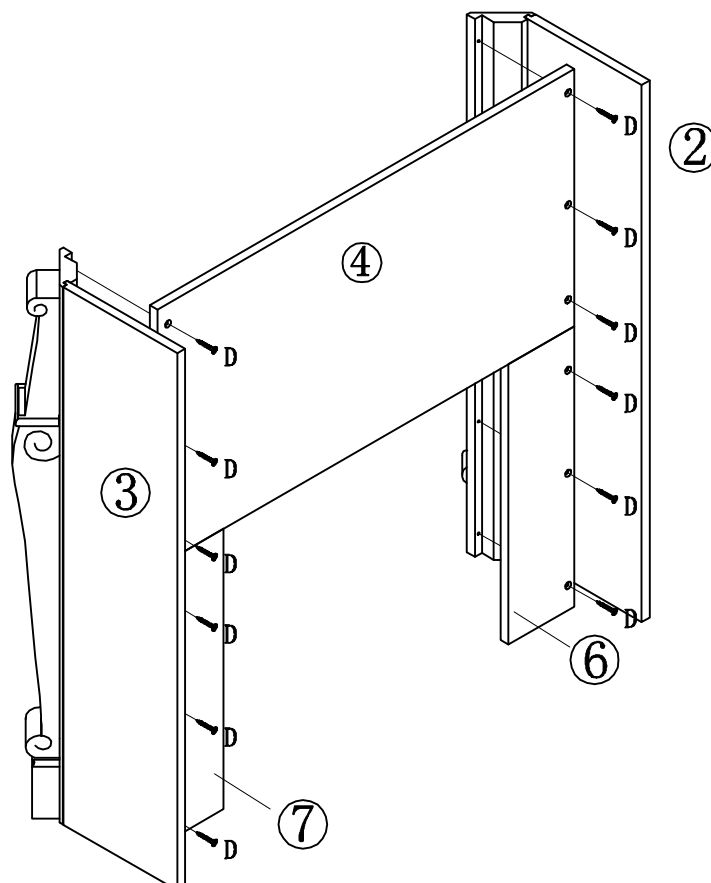


FIGURE 3

5. FILL HOLE 1/4 FULL OF GLUE (USE GLUE FOR WOOD DOWELS ONLY). INSERT SIX WOOD DOWELS (B) AND SIX CAM-BOLT (A) INTO PREDRILLED HOLES IN BASE FRAME (5) AND FIT INTO CORRESPONDING HOLES ON BOTH ENDS OF THE UNIT YOU HAVE ASSEMBLED. INSERT CAM-LOCKS (C) INTO THE BIG HOLE ON INSIDE OF LEFT/RIGHT INSIDE PANEL WITH SLOT FOR SCREWDRIVER FACING OUTWARD. ROTATE CAM-LOCK (C) CLOCKWISE TO SECURE CAM-BOLT (A).

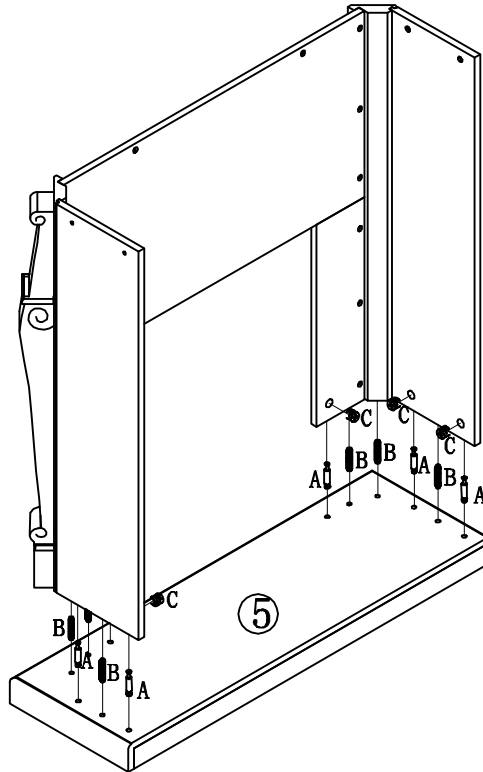


FIGURE 4

6. PUT THE TOP PANEL (1) ONTO THE UNIT YOU HAVE ASSEMBLED.

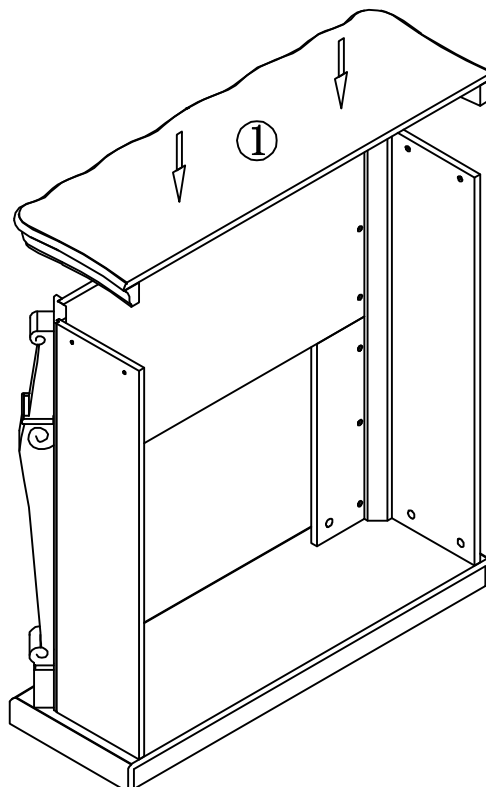


FIGURE 5

7. ATTACH THE TOP PANEL TO THE UNIT YOU HAVE ASSEMBLED WITH SIX FLAT HEAD SCREWS (D) BY USING SCREWDRIVER.

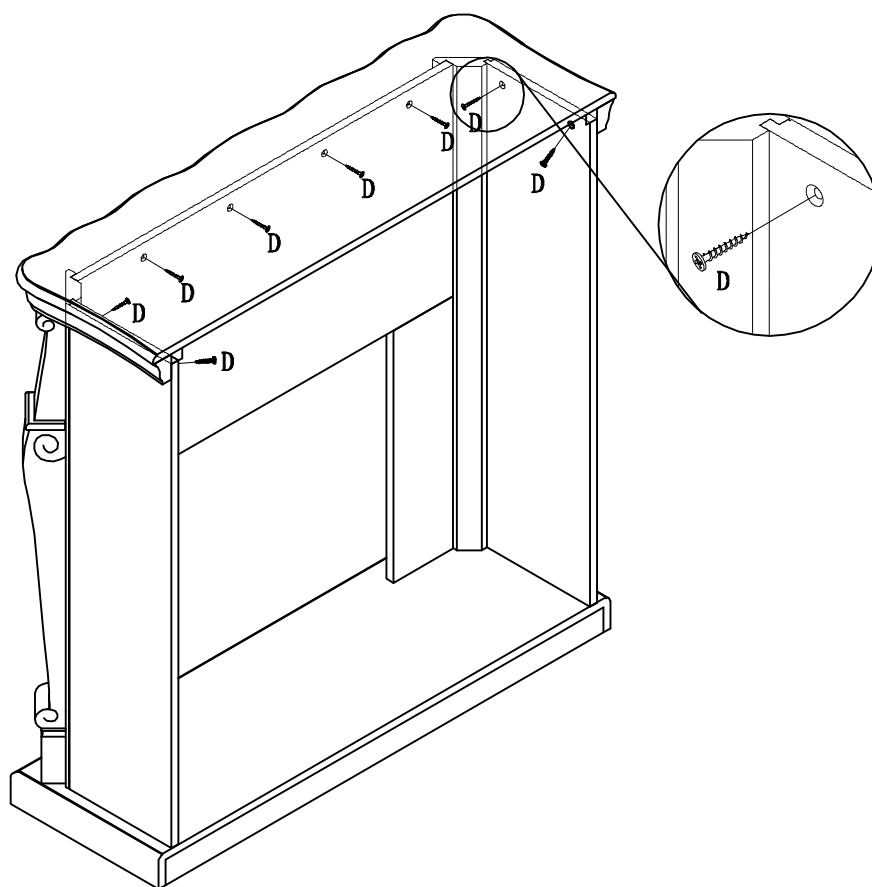
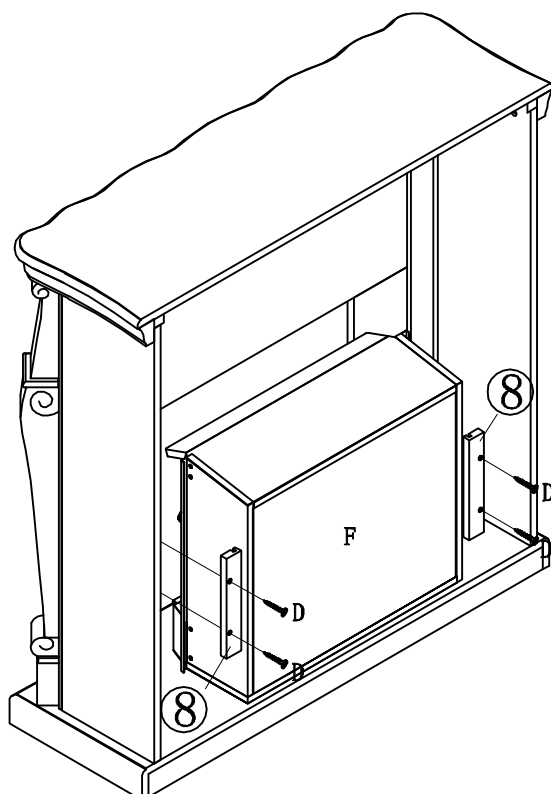
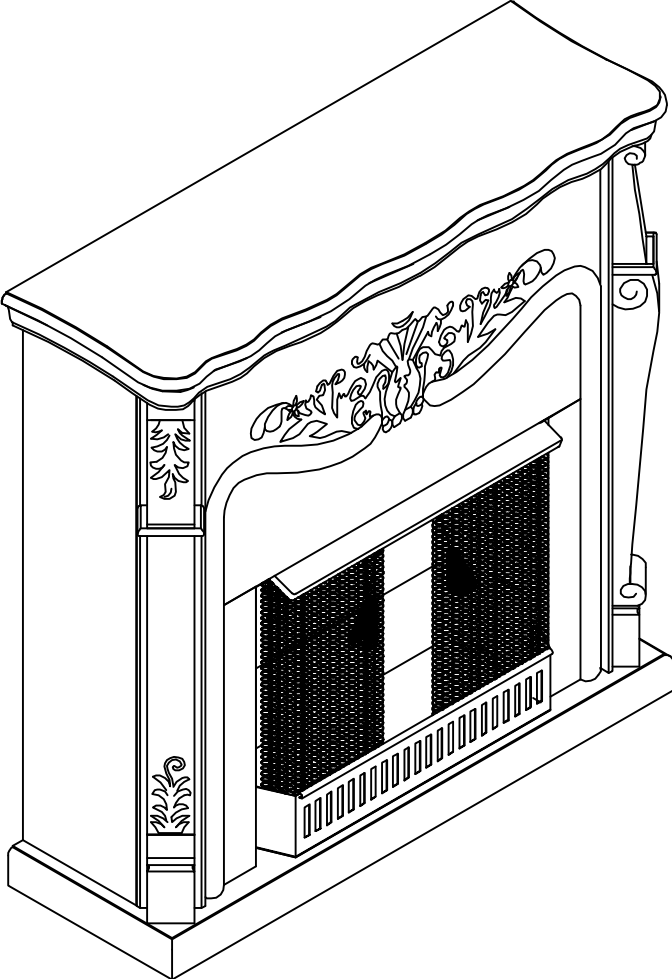


FIGURE 6

8. USE FOUR FLAT HEAD SCREWS (D) TO FIX THE FIREBOX W/SCREEN KIT (F) TO LEFT/RIGHT INSIDE CROSS-BAR WITH THE WOOD HOLDER (8) ATTACHED ON THE SLOT OF THE FIREBOX W/SCREEN KIT (F) AS SHOWN IN DETAIL FIGURE 6.



THE OUTSIDE FRAME WILL BE LIKE



CAUTIONS:

1. REMOVE THE PAPER LABEL WHEN LIGHT THE FUEL CANS.
2. DO NOT BURN MORE THAN THREE CANS OF FUEL AT ONCE.
3. USE LONG MATCHES TO LIGHT THE CANS OF FUEL.
4. DO NOT TOUCH THE CAN WITH BARE HANDS UNTIL THE FLAME HAS BEEN EXTINGUISHED FOR 20 MINUTES.
5. DO NOT BURN ANYTHING EXCEPT THE CANS OF FUEL IN THE FIREBOX.

"We will ship parts if available" "This is not a warranty"

YOUR CARVED FIREPLACE IS FINISHED AND READY TO USE

please count, identify and compare parts and hardware list to be sure all parts are present, It may help to divide parts and label them to correspond with part list. Extra hardware may be included, If any items are missing, please contact our parts/service department at (800)633-5096 or in Dallas (972)869-0111/9am-4pm Mon-Fri Central time. Missing or damaged hardware and/ or parts will be replaced free of charge. WE DO NOT SELL PARTS. WE DO NOT RECOMMEND MODIFYING PRODUCT(S) AND WE ARE NOT RESPONSIBLE FOR ANY DAMAGES DUE TO PRODUCT MODIFICATION(S). If this product has not been purchased from our retail affiliates (within 9 months),we are under on obligation to provide parts or replacement merchandise. parts will not be available for items arriving fully assembled.

PARTS REPLACEMENT FORM

STYLE NO: FA565700TX

Customer Name

PARTS
LETTER

PART
DESCRIPTION

QUANTITY
NEEDED

Street, City, State, Zip

Phone#

The logo for Southern Enterprises Inc. (SEI) features the letters "SEI" in a bold, serif font, enclosed within a stylized oval shape with horizontal lines extending from the sides.

SOUTHERN ENTERPRISES INC.
P. O. Box 59996 Dallas, Texas 75229

Please indicate Where you purchased this item.
Store/Website/catalog

/ /

Please indicate color/size/style number

/ /