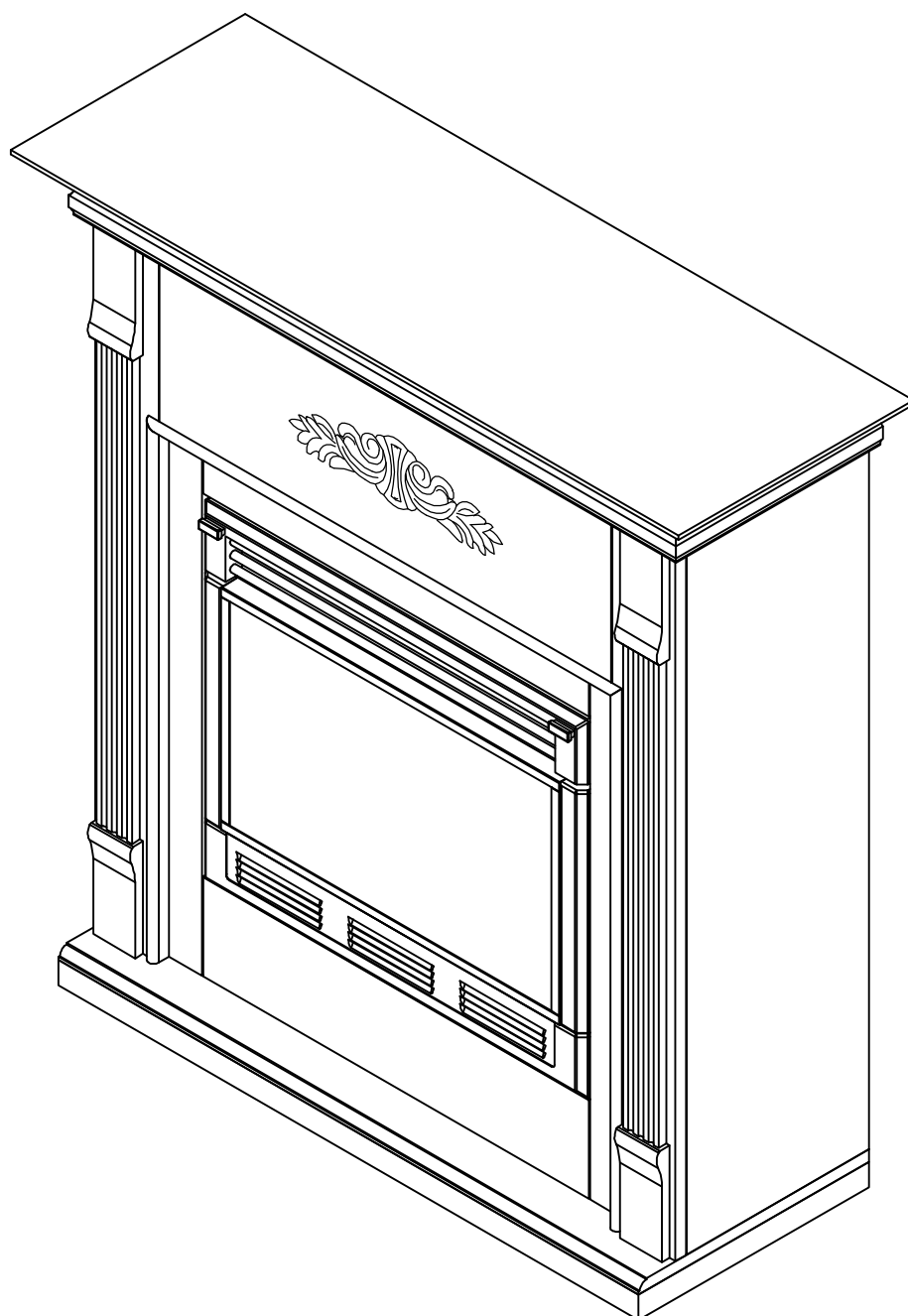


"TENNYSON" FIREPLACE
FA8544AO- IVORY
FA8545AO- ESPRESSO
FA8546AO- PLANTATION OAK
FA8547AO- CLASSIC MAHOGANY
FA8543AO- GLAZED PINE

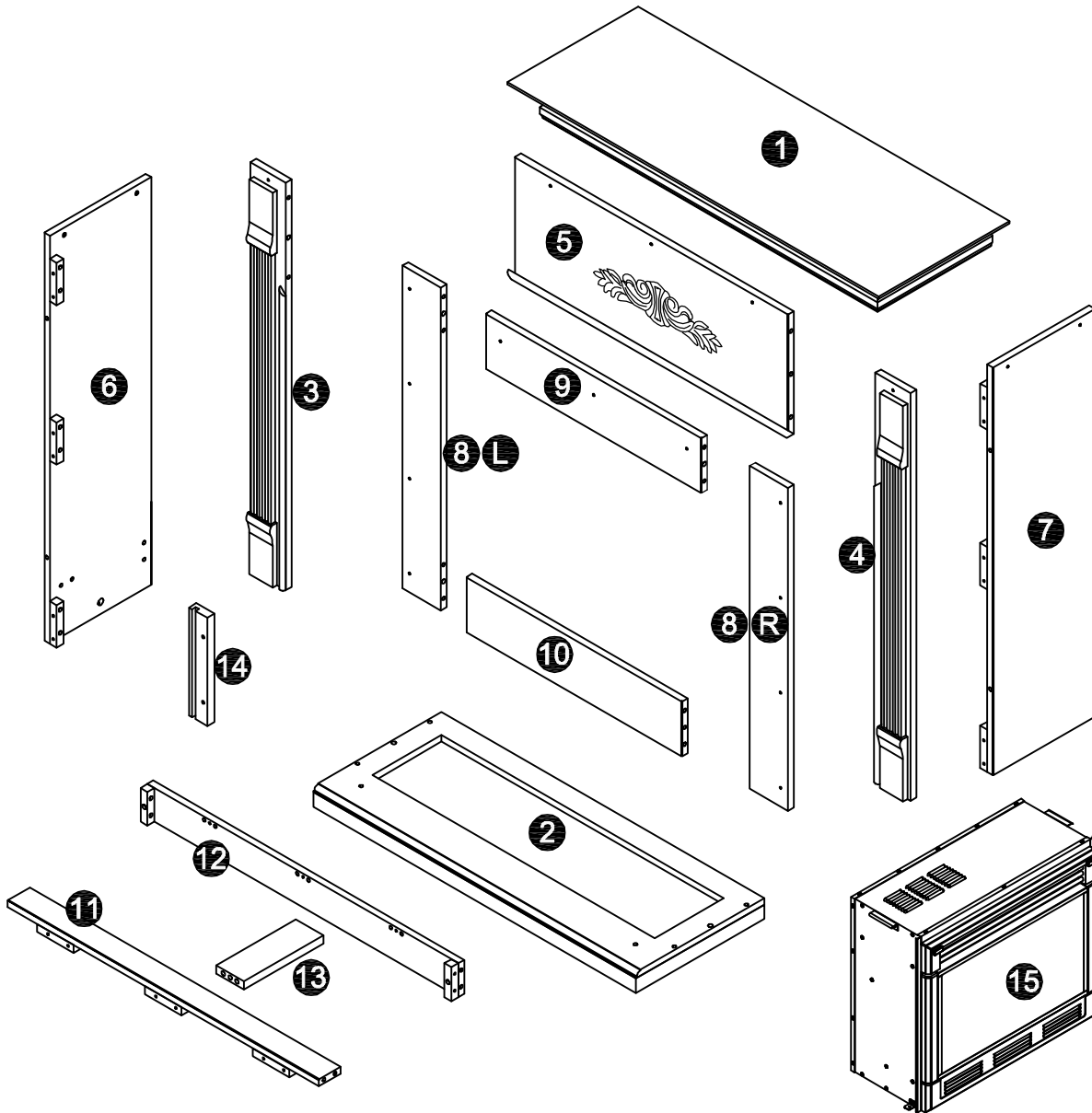
ASSEMBLY INSTRUCTION



For assistance with assembly contact:
Southern Enterprises Inc.
Customer Service 1-800-633-5096
service@seidal.com
www.seidal.com



PACKAGE CONTENTS

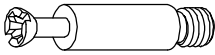


PART	DESCRIPTION	QUANTITY
1	Top Panel	1
2	Base	1
3	Left Front Panel	1
4	Right Front Panel	1
5	Middle Front Panel	1
6	Left Side Panel	1
7	Right Side Panel	1
8	Side Block Fire Panel (L&R)	2

PART	DESCRIPTION	QUANTITY
9	Upper Block Fire Panel	1
10	Lower Block Fire Panel	1
11	Front Rail	1
12	Back Rail	1
13	Wood Connector	3
14	Wood Holder	2
15	Firebox(sold in a separate carton)	1

HARDWARE CONTENTS (shown actual size)

A



Cam Bolt
Qty. 11

B



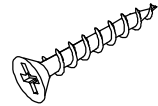
Wood Dowel
Qty. 42

C



Cam Lock
Qty. 11

D



Flat Head Long Screw
Qty. 49

SAFETY INFORMATION

please read and understand this entire manual before attempting to assemble, operate or install the product. If you have any questions regarding the product, please call customer service at 800-633-5096 or in Dallas 972-869-0111/ 9am - 4pm Mon-Fri.

WARNING

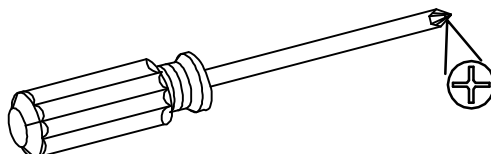
- Mantel is heavy and should be assembled near its desired location.
- It is recommended that two people move the finished mantel to prevent injury.

PREPARATION

Before beginning assembly of product, make sure all parts are present. Compare parts with package contents list and hardware contents above. If any part is missing or damaged, do not attempt to assemble the product. Contact customer service for replacement parts.

Estimated Assembly Time: 45 minutes

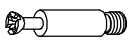


Tools Required for Assembly: Phillips Screwdriver (not included)

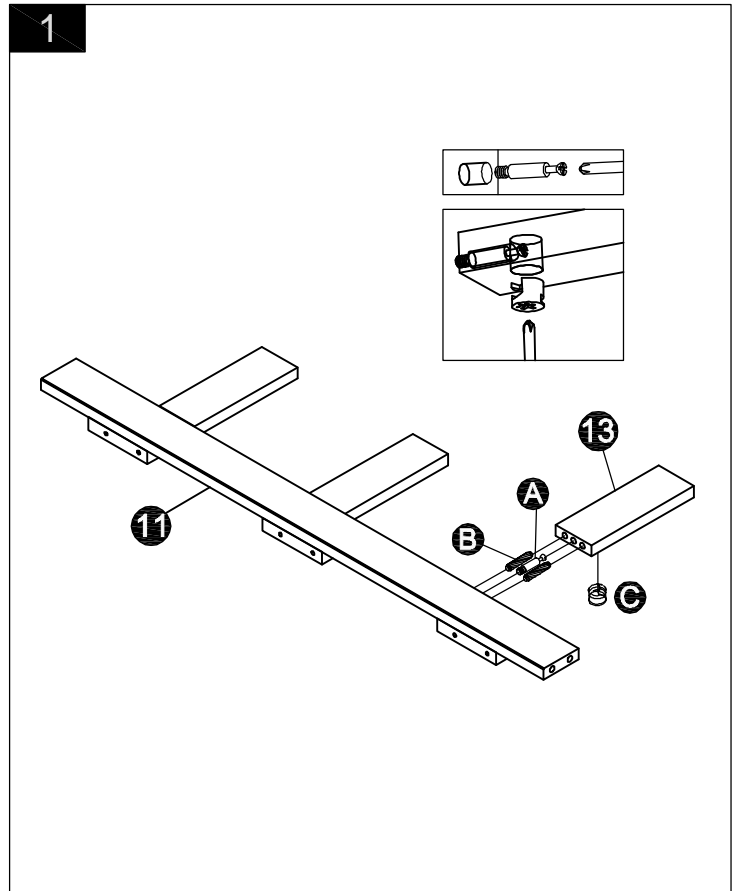


ASSEMBLY INSTRUCTIONS

1. Insert cam locks(C) into predrilled holes on wood connectors (13).
Screw cam bolt(A) into predrilled holes on front rail (11).
Attach wood connectors (13) to front rail (11) by slipping wood dowel(B) & cam bolt(A) until wood connectors (13) & front rail (11) meet.
Secure by rotating cam lock (C) counterclockwise with Phillips screwdriver.

Hardware Used

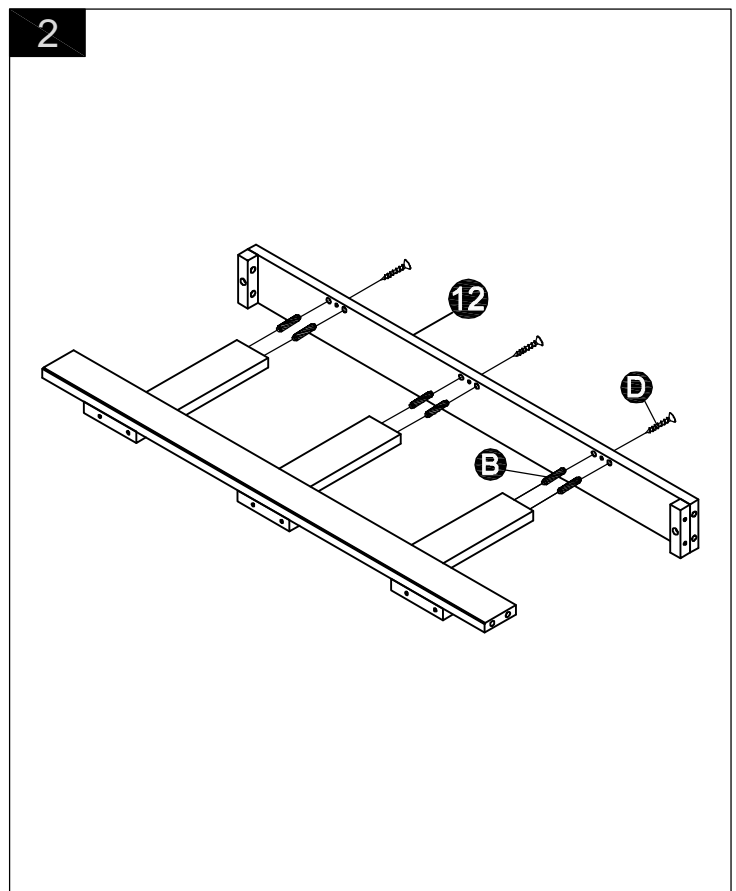
A		Cam Bolt	X 3
B		Wood Dowel	X 6
C		Cam Lock	X 3



2. Attach back rail (12) to the other side of wood connectors (13) by wood dowel (B) & flat head long screw (D) until wood connectors (13) & back rail (12) meet and tighten with Phillips screwdriver (not included).

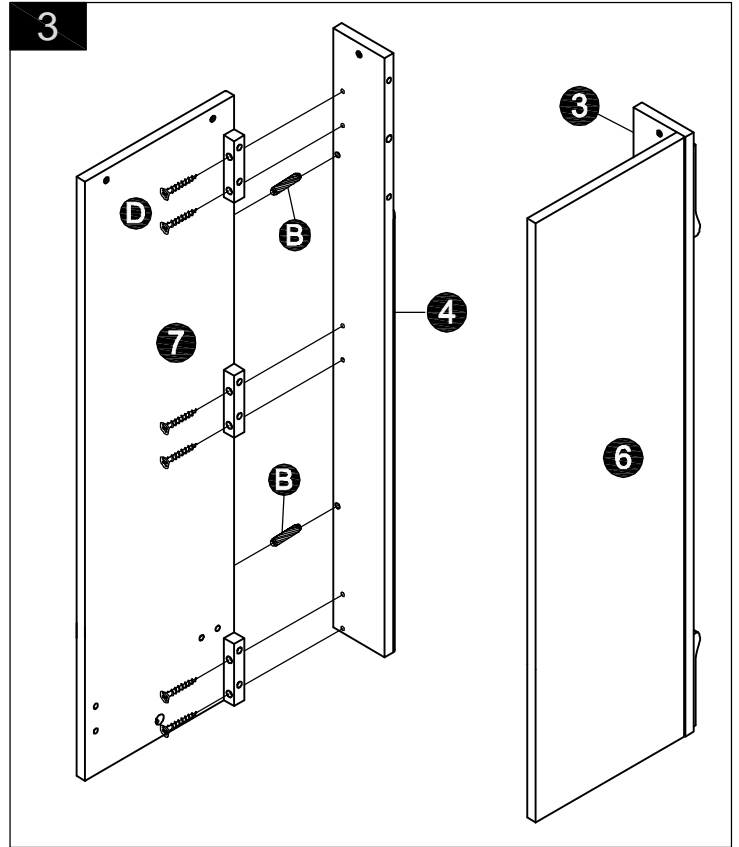
Hardware Used

B		Wood Dowel	X 6
D		Flat Head Long Screw	X 3



ASSEMBLY INSTRUCTIONS

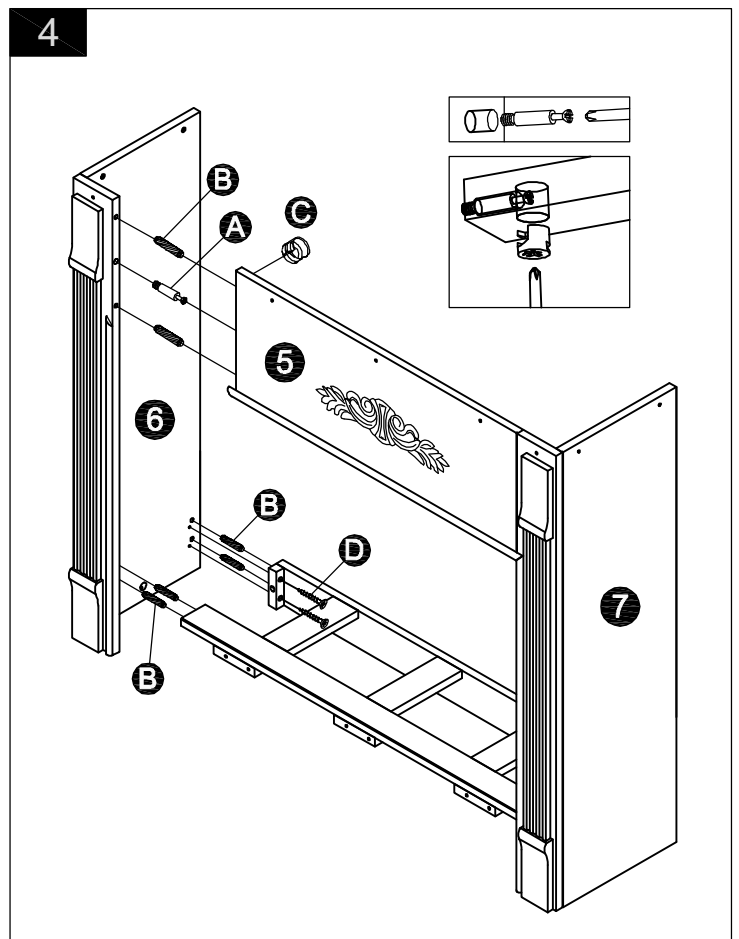
3. Attach right front panel (4) to right side panel (7) by wood dowel (B) & flat head long screw (D) until right front panel (4) & right side panel (7) meet and tighten with Phillips screwdriver(not included). Repeat with left front panel (3) & left side panel (6).



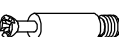


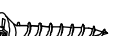
Hardware Used

- B**  Wood Dowel X 4
- D**  Flat Head Long Screw X 12

4. Insert cam locks(C) into predrilled holes on middle front panel (5). Screw cam bolt(A) into predrilled holes on left side panel (6). Attach assembled unit in the step 1 & middle front panel (5) to left side panel (6) & left front panel (3) by slipping wood dowel(B) & cam bolt(A) until assembled unit in the step 1 & middle front panel (5) & left side panel (6) & left front panel (3) meet. Secure by rotating cam lock (C) counterclockwise with Phillips screwdriver. Insert flat head long screw (D) into predrilled holes and tighten with Phillips screwdriver(not included). Repeat with assembled unit in the step 1 & middle front panel (5) & right side panel (7) & right front panel (4).



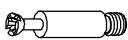


Hardware Used

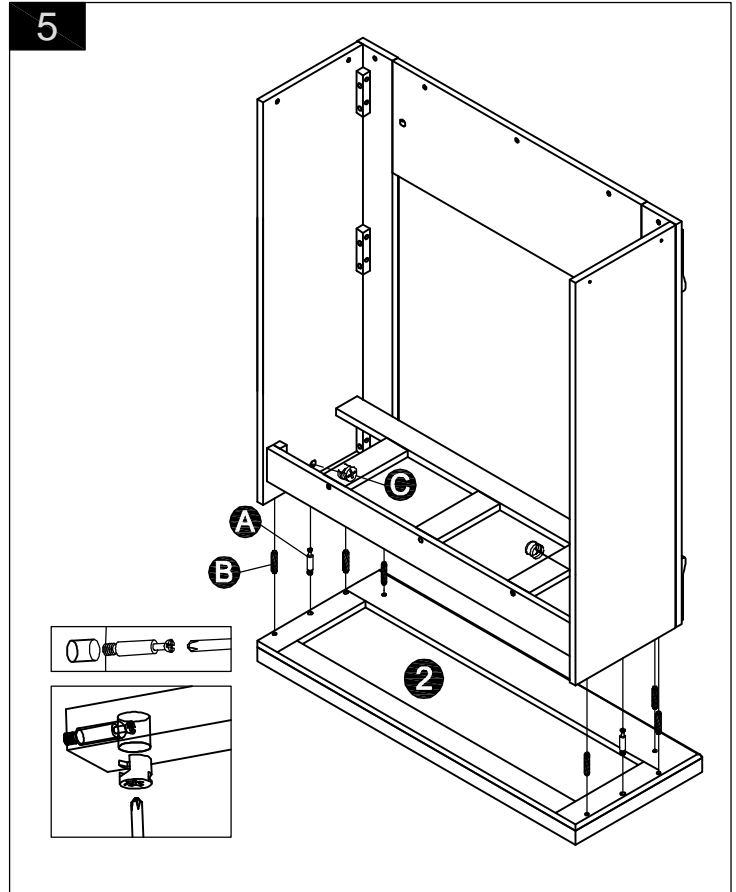
- A**  Cam Bolt X 2
- B**  Wood Dowel X 12
- C**  Cam Lock X 2
- D**  Flat Head Long Screw X 4

ASSEMBLY INSTRUCTIONS

5. Insert cam locks(C) into predrilled holes on side panel (6)&(7).
 Screw cam bolt(A) into predrilled holes on base(2).
 Attach assembled unit in the step 4 to base (2) by cam bolt(A) & wood dowel (B) until assembled unit in the step 4 & base (2) meet.
 Secure by rotating cam lock (C) counterclockwise with Phillips screwdriver.

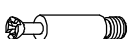


Hardware Used

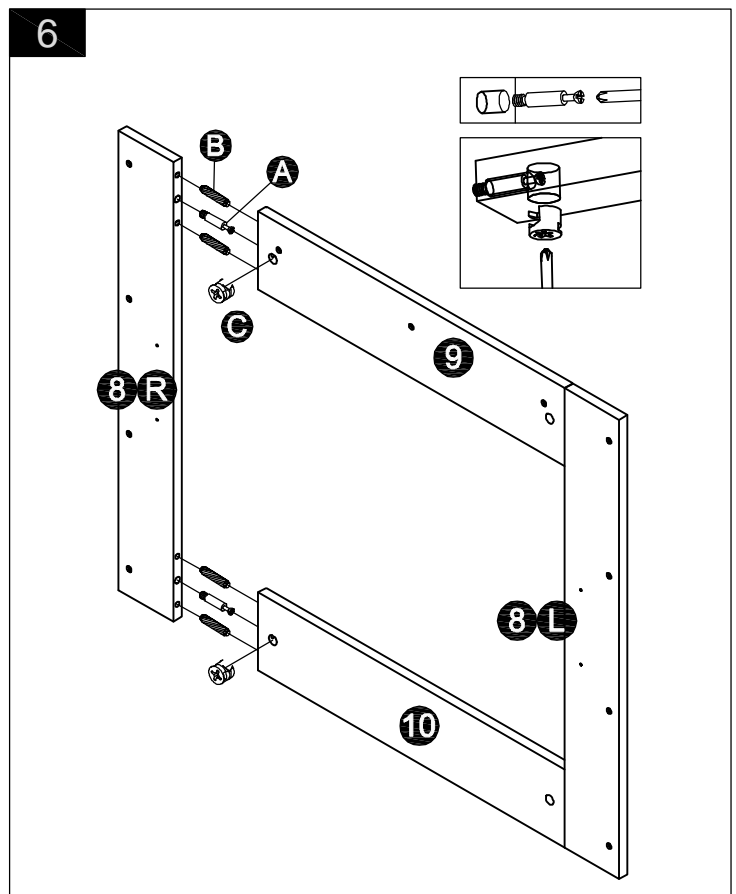
A		Cam Bolt	X 2
B		Wood Dowel	X 6
C		Cam Lock	X 2



6. Insert cam locks(C) into predrilled holes on Upper Block Fire Panel (9) & Lower Block Fire Panel (10).
 Screw cam bolt(A) into predrilled holes on Side Block Fire Panel(8L&R).
 Attach Upper Block Fire Panel (9) & Lower Block Fire Panel (10) to Side Block Fire Panel(8L&R) by slipping wood dowel(B) & cam bolt(A) until Upper Block Fire Panel (9) & Lower Block Fire Panel (10) & Side Block Fire Panel(8L&R) meet.
 Secure by rotating cam lock (C) counterclockwise with Phillips screwdriver.

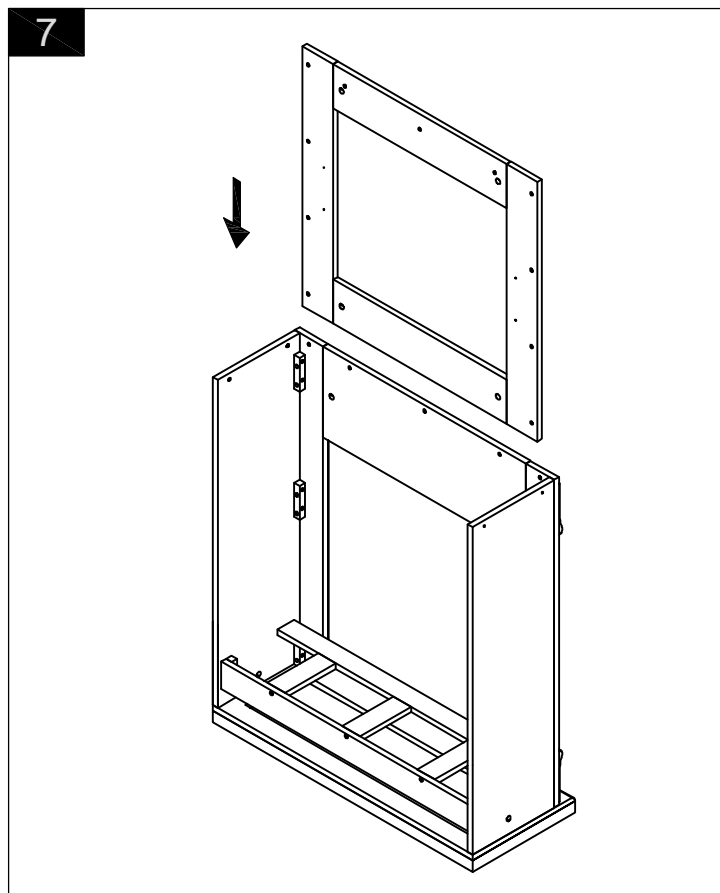
Hardware Used

A		Cam Bolt	X 4
B		Wood Dowel	X 8
C		Cam Lock	X 4

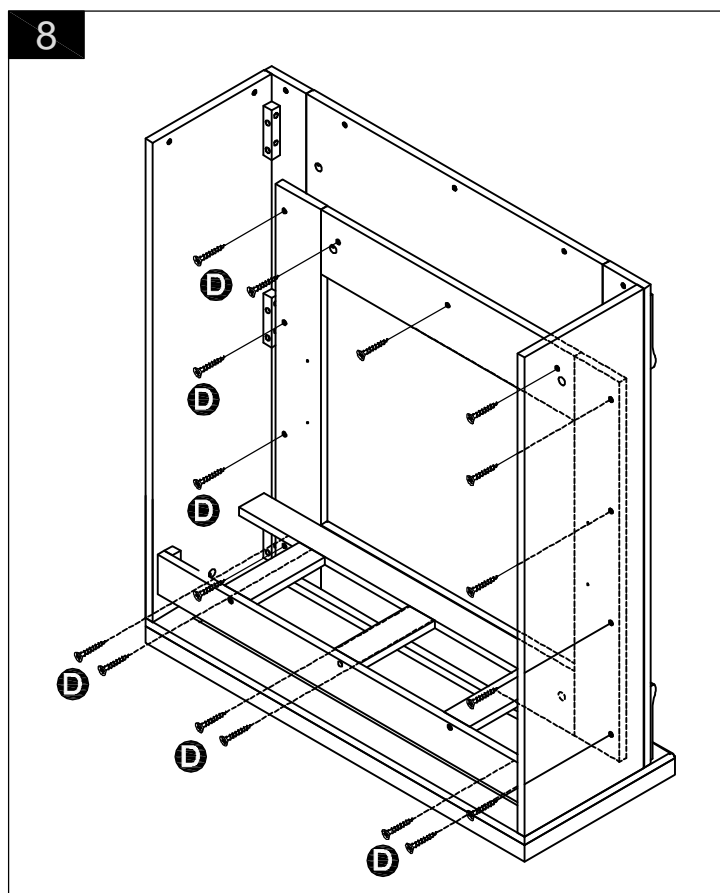


ASSEMBLY INSTRUCTIONS

7. Insert assembled unit in step 6 into assembled unit in step 5.



8. Insert flat head long screw(D) and tighten with Phillips screwdriver(not included).



Hardware Used

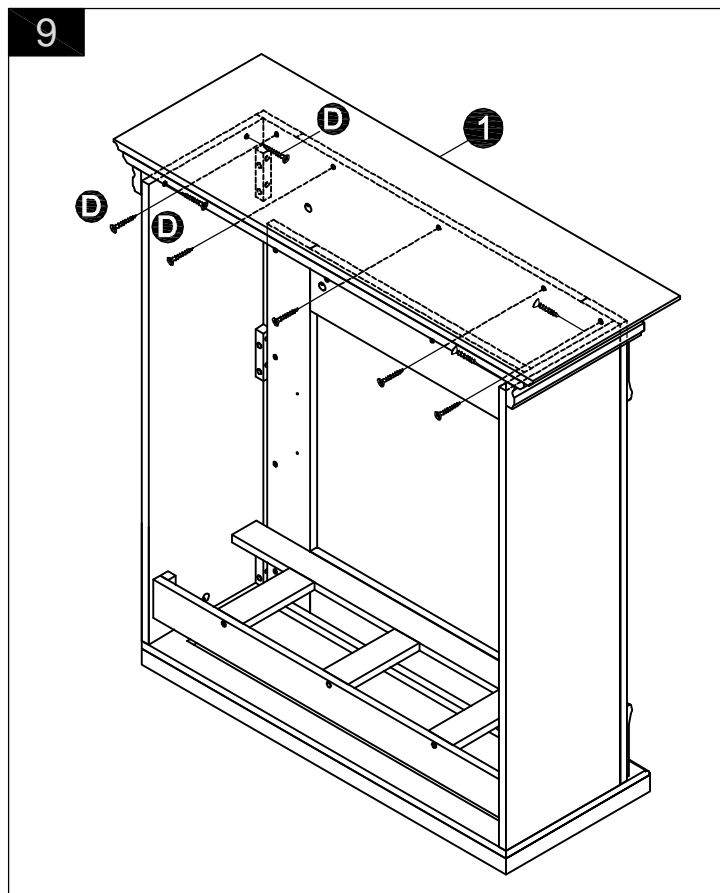
D  Flat Head Long Screw X 17

ASSEMBLY INSTRUCTIONS

9. Attach top panel(1) by inserting flat head long screw (D) and tighten with Phillips screwdriver(not included).

Hardware Used

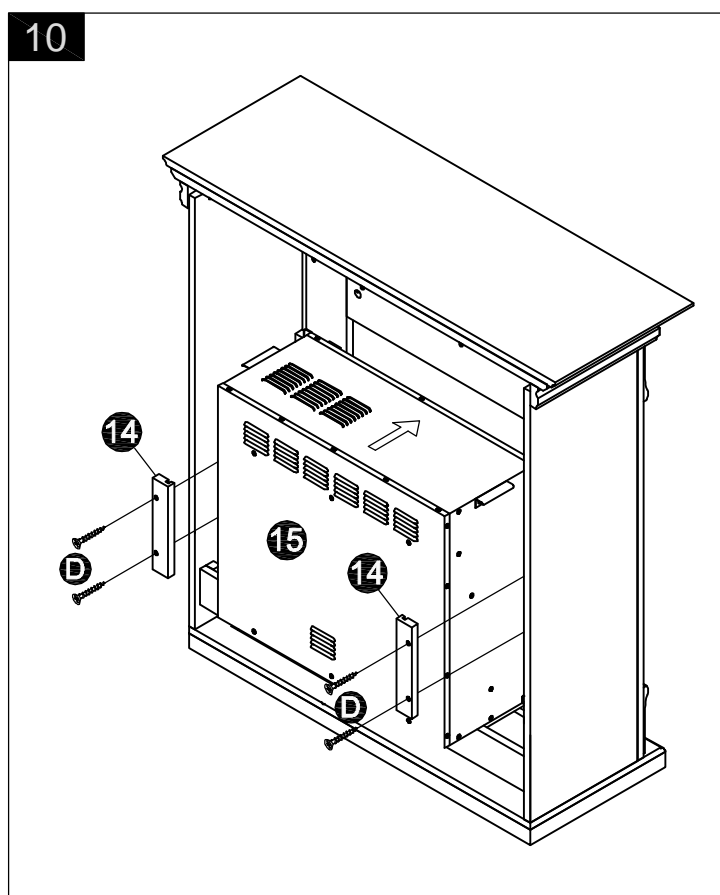
D  Flat Head Long Screw X 9



10. Insert firebox(15) to the related place of assembled unit.
Attach wood holder (14) by inserting flat head long screw(D) and tighten with Phillips screwdriver (not included).

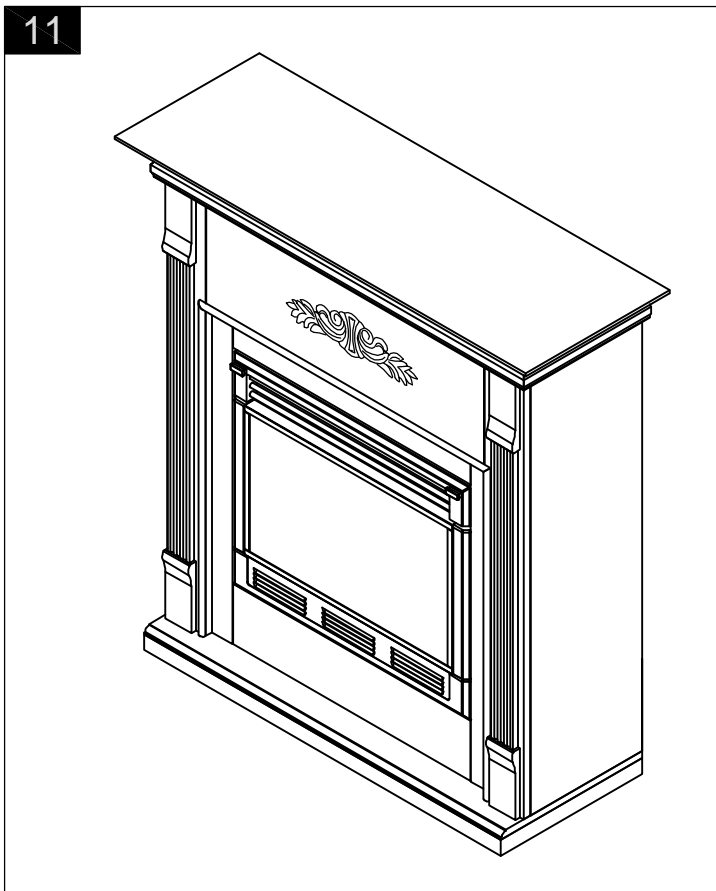
Hardware Used

D  Flat Head Long Screw X 4



ASSEMBLY INSTRUCTIONS

11. Now your new fireplace is ready to use.



Parts Replacement Form

Customer Information

Name _____

Address _____

City/State/Zip Code _____

Phone Number _____

Please indicate where you purchased this item: Store/Website/Catalog

Please indicate color/size/style number:

Style No	Parts Letter	Parts Description	Quantity Needed
_____	_____	_____	_____
_____	_____	_____	_____
_____	_____	_____	_____
_____	_____	_____	_____

Please immediately examine this product carefully. Any request for missing parts or damage replacement must be received within 90 days of your receipt of the product . Replacement, if available, will be honored within this time frame . Parts will not be available for items arriving fully assembled. We do not recommend modifying product(s) and we are not responsible for any damages due to product modification(s). If damages or missing parts are not reported within 90 days of your receipt, we are under no obligation to provide parts or replacement merchandise.

Please contact Southern Enterprises at 800-633-5096 or in Dallas 972-869-0111/ 9am - 4pm Mon-Fri Central time if you have product issues or email us at service@seidal.com. Please ask for customer service representative for issues involving damages or replacement parts. Please ask for technical assistance representative for any issues with product and assembly/construction.

Please contact the retailer that you purchased from for returns.



Customer Service 1-800-633-5096
service@seidal.com
Southern Enterprises, Inc.
600 Freeport Parkway, Suite 200
Coppell, Texas 75019